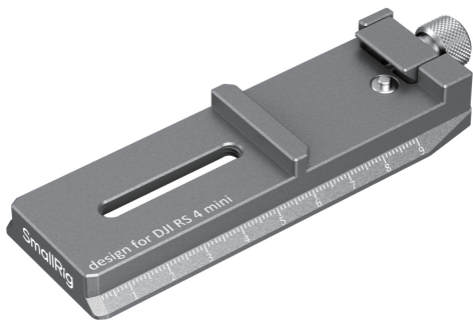


# SmallRig



## Quick Release Plate for DJI RS 4 Mini 快装板（适用于大疆 RS 4 Mini 阿卡规格底座）

Operating Instruction / 操作指引

- Thank you for purchasing SmallRig's product.  
感谢您购买 SmallRig 产品。
- Please read this Operation Guide carefully.  
使用本产品之前，请仔细阅读操作指引。
- Please follow the safety warnings.  
请注意所有警告提示并遵循使用操作指引的所有指令。

## In the Box / 包装清单

Quick Release Plate 快装板	× 1	Allen Wrench 扳手	× 1
----------------------------	-----	--------------------	-----

## Specifications / 产品参数

Product Dimensions 产品尺寸	4.6 × 1.5 × 0.6in 117.3 × 38.0 × 15.8mm
Net Weight 产品重量	2.8 ± 0.2oz 80.0 ± 0.5g
Package Dimensions 包装尺寸	6.1 × 3.2 × 1.7in 155.0 × 81.5 × 42.0mm
Package Weight 包装重量	4.4 ± 0.2oz 124.6 ± 0.5g
Material(s) 材质	Aluminum Alloy, Stainless Steel, Nylon 铝合金、不锈钢、尼龙

Specifications subject to change without prior notice. Please refer to the physical product for the most up-to-date information.

技术参数如有改动，以实物为准，恕不另行通知。

## Notice / 注意事项

Adjust the anti-drop pin with the bottom dial for compatibility:

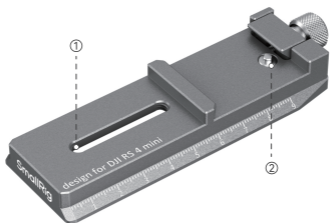
1. Compatible only with DJI RS 4 mini quick release plate when pin is extended.

通过底部拨片调节防脱销钉可调整产品兼容性：

1、销钉突出状态仅兼容DJI RS 4 mini 快装板；

## Product Details / 产品介绍

1



① 1/4"-20 Threaded Hole  
1/4"-20螺纹孔

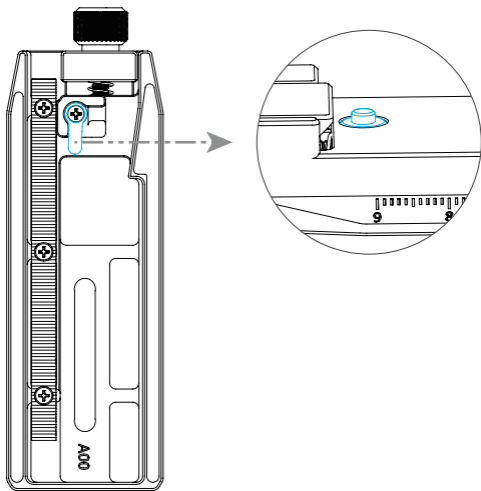
② Anti-drop Pin  
防脱销钉

2

1. Dedicated Mode / 专用模式:

Dedicated to DJI RS 4 Mini Arca-standard quick release plate

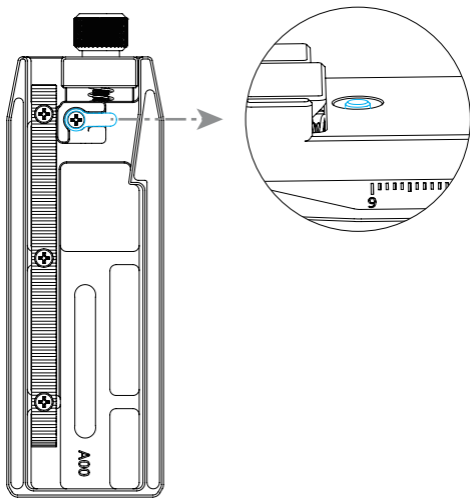
DJI RS 4 Mini快装板专用



2. Standard Mode / 通用模式:

Compatible with the standard Arca-Swiss quick release plate, cage, L-shape mount plate when retracted.

销钉缩回状态可兼容常规阿卡标准快装板、Cage、L板。



3



\* The package does not include the camera and stabilizer.

\* 相机和稳定器需另购



GAVIMOSA CONSULTORIA, SOCIEDAD LIMITADA,  
CASTELLANA 9144, 28046 Madrid,  
compliance.gavimosa@outlook.com



Sea&Mew Accounting Ltd,  
Electric Avenue Vision 25, London, Enfield EN3 7GD,  
info@seamew.net

Manufacturer Email: support@smallrig.com

Manufacturer: Shenzhen Leqi Innovation Co., Ltd.

Add: Rooms 101, 701, 901, Building 4, Gonglianfuji Innovation Park, No. 58, Ping'an Road,  
Dafu Community, Guanlan Street, Longhua District, Shenzhen, Guangdong, China.

制造商: 深圳市乐其创新股份有限公司

地址: 中国广东省深圳市龙华区观澜街道大富社区平安路58号共联富基创新园4栋101、701、901

Consignor: Shenzhen LC Co., Ltd.

Add: Room 201, Building 4, Gonglianfuji Innovation Park, No. 58, Ping'an Road,  
Dafu Community, Guanlan Street, Longhua District, Shenzhen, Guangdong, China.

委托商: 深圳市乐长科技有限公司

地址: 中国广东省深圳市龙华区观澜街道大富社区平安路58号共联富基创新园4栋201

执行标准: GB/T 26572-2011



Séparez les éléments avant de trier



中国制造

Made in China