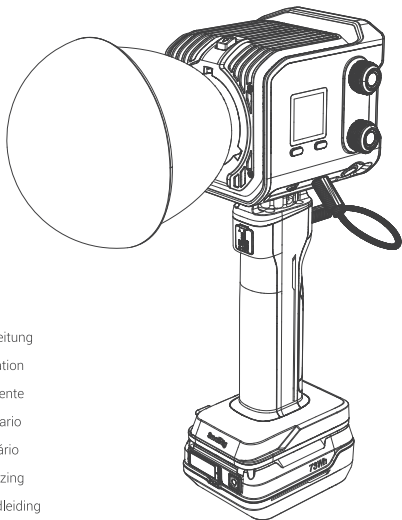


SmallRig

RC 100B COB LED Video Light Kit (with Battery Grip Handle)

RC 100B COB 影视补光灯套装 (续航版)



User Manual

用户手册

Bedienungsanleitung

Manuel d'utilisation

Manuale dell'utente

Manual del usuario

Manual do usuário

Gebruiksaanwijzing

Gebruikershandleiding

RC 100B COB LED Video Light

RC 100B COB 影视补光灯

► CONTENTS

EN

Important Reminder	2
Product Overview	3-5
Installation	6-7
Power Supply	8
Product Specifications	9

CN

重要提示	10
产品介绍	11-13
安装步骤	14-15
供电	16
产品参数	17

DE

Wichtige Hinweise	18
Produkte	19-21
Installationen	22-23
Stromversorgung	24
Produktparameter	25

FR

Remarques importantes	26
Aperçu du produit	27-29
Installations	30-31
Alimentation	32
Paramètres du produit	33

IT

Promemoria Importante	34
Panoramica del prodotto	35-37
Installazioni	38-39
Alimentazione	40
Parametri del prodotto	41

ES

Importante aviso.....	42
Resumen del producto.....	43-45
Instalaciones.....	46-47
Fuente de Alimentación.....	48
Parámetros del producto.....	49

PT

Importante Aviso.....	50
Visão geral do produto.....	51-53
Instalações	54-55
Fonte de Alimentação	56
Especificações do Produto	57

NL

Belangrijke instructies	58
Productoverzicht	59-61
Installaties	62-63
Voeding	64
Productparameters	65

SE

Viktig prompt	66
Produktöversikt	67-69
Installation	70-71
Strömförsörjning	72
Produktparametrar	73

Charging Grip Handle with Battery (73Wh)

SH73 移动充电手柄 (73瓦时)

► CONTENTS

EN

Important Reminder.....	74
Product Overview.....	75-76
Power Supply.....	76
Product Specifications	77

CN

重要提示	78
产品介绍	79-80
供电	80
产品参数	81

DE

Wichtige Hinweise	82
Produkte	83-84
Stromversorgung	84
Produktparameter	85

FR

Remarques importantes	86
Aperçu du produit	87-88
Alimentation	88
Paramètres du produit	89

IT

Promemoria Importante	90
Panoramica del prodotto	91-92
Alimentazione	92
Parametri del prodotto	93

ES

Importante aviso.....	94
Resumen del producto.....	95-96
Fuente de Alimentación.....	96
Parámetros del producto.....	97

PT

Importante Aviso.....	98
Visão geral do produto.....	99-100
Fonte de Alimentação	100
Especificações do Produto	101

NL

Belangrijke instructies	102
Productoverzicht	103-104
Voeding	104
Productparameters	105

SE

Viktigt prompt	106
Produktöversikt	107-108
Strömförsörjning	108
Produktparametrar	109
Service & Warranty / 保修条款	110-111
Guarantee Card / 保修卡	112

Important Reminder

EN

Thank you for choosing SmallRig's products.

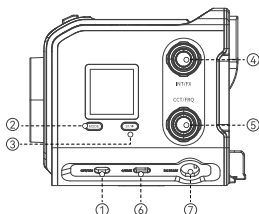
1. Please read this manual carefully before using this product.
2. Please pay attention to all warning prompts and follow all instructions in the user manual.
3. Children should only operate this equipment under adult supervision. Please do not leave the gear unattended without continuous supervision.
4. Please remove the silicone cover in front of the COB chip board before use.
5. After using the gear, the COB chip board, top, and bottom of the gear will become extremely hot. Please avoid touching these areas until the gear has cooled down. For your safety and well-being, do not block the cooling holes and avoid directly exposing your eyes to the COB LED chip.
6. If you need to use a longer power cable, please make sure that the rated amp mark on the power cable is larger or equal to the rated amp on the gear.
7. To avoid stumbling over the power cable or accidentally pulling it, which may cause the gear to lose power, please properly secure the power cable. Also, be cautious and make sure not to place the power cable near heat sources or interfaces.
8. Please do not operate the gear or power cable if they are damaged. In the event that the gear or accessories are damaged or experiencing a fault, please seek assistance from a qualified repairing engineer.
9. Please make sure that the gear has completely cooled down before storage. Place it in the appropriate compartment in the storage box.
10. To ensure proper operation of the gear, it is recommended to store it in a cool, dry, and clean environment. Do not store the gear near damp areas or in the vicinity of liquids, flammable substances, or volatile solvents to avoid damaging the gear.
11. Working temperature: -10 to 45°C (14 to 113°F).
12. Reference storage temperature / humidity: $20^{\circ}\text{C} \pm 5^{\circ}\text{C}$ (59 to 77°F) / $60 \pm 15\%$.
13. If you need to clean the surface of this gear, please use a dry, soft cloth for cleaning. Before cleaning and performing maintenance, make sure to disconnect the power adapter and body connection cable.
14. To reduce the risk of electric shock, it is strictly prohibited to immerse this gear in water or any other liquids.
15. To reduce the risk of electric shock, it is strictly prohibited to dismantle this gear without authorization. If the gear malfunctions and requires repairs, please consult the relevant purchase channel and submit it to professional repair personnel. Non-standard assembly and repairs may cause safety hazards. Unauthorized dismantling is strictly prohibited and, once verified, SmallRig will consider the warranty void.
16. Using non-SmallRig recommended accessories may cause hazards such as fire or electric shock. Please refer to the accessories provided by SmallRig or use certified accessories from qualified manufacturers based on the specifications provided by SmallRig. If it is verified that the use of non-compliant accessories leads to gear malfunction, SmallRig will consider the warranty void.
17. If any damage is found on the product, please stop using it immediately and contact the after-sales service department for repair or replacement.



Attention:

- (1) Do not touch the COB LED chip and front cover glass.
- (2) To ensure the product operates at full power, it is recommended to use a V-mount battery with an output power of over 120W.

EN Product Overview



- ① **ON / OFF Switch:** After connecting to the power source, turn the switch to "ON" and rotate the INT knob one circle to power on the RC 100B; turn the switch to "OFF" to shut down. The Bluetooth name suffix of the gear will be displayed at the bottom of the white startup interface. The screen display will change as follows.



- ② **Mode Button:** Clicking this button will cycle between the color temperature mode (CCT mode) and the special effects mode (FX mode). The screen display will change as follows.



- [2.1] In CCT/ FX mode, long-press the mode button 2s to save the current parameters and go into the PRESET mode. Rotate the INT knob to select the preset and click to confirm. Long-press the button 2s again or select the preset to exit. Up to four sets of preset parameters can be selected. The screen display will change as follows.



- ③ **Bluetooth / Mute Control Button (BT):** Double-click this button to cycle through the working modes of RC 100B. You can observe the top left icon to view the working mode of RC 100B.

No Icon: Normal mode, unrestricted brightness;

Red Mute Icon: Silent mode, 20% brightness limited mode;

White fan Icon: Low fan noise mode, 70% brightness limited mode.

The screen display will change as follows:



- [3.1] After powering on, long-press the Bluetooth / Mute control button to reset the Bluetooth connection. The Bluetooth icon will flash quickly. You can open the SmallGoGo application and set up a network for the gear based on the Bluetooth suffix prompted during startup. If you haven't downloaded SmallGoGo before, please scan the QR code below for more information and download, or search and download it from app stores such as Google Play / App Store.



- ④ **INT / FX Knob (Intensity / Special Effect Knob):** In CCT mode, rotating the knob clockwise / counter clockwise increases / decreases the brightness output ratio. Clicking the knob allows for quick switching between 33% / 66% / 100% brightness output ratios.

- [4.1] In FX mode, clicking the INT/ FX knob switches the cursor from brightness adjustment to effect adjustment. The screen display will change as follows.



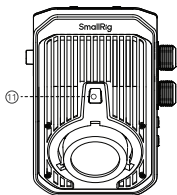
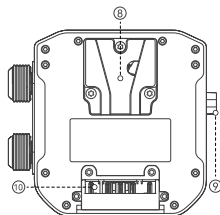
- [4.2] Rotating the INT/ FX knob clockwise / counter-clockwise at this point adjusts the 9 x light effects / brightness ratio corresponding to the cursor area.

Paparazzi	Television	Falty bulb	Lightning	Breathing	Flickering	Party	Flame	Fireworks

- ⑤ **CCT / FRQ Knob (Color Temperature / Frequency Adjustment Knob):** In CCT mode, rotating the knob clockwise / counter clockwise increases / decreases the color temperature value. Clicking the knob allows for quick switching between 3200K / 4300K / 5600K color temperatures.
- [5.1] In FX mode, clicking the CCT / FRQ knob switches the cursor from color temperature adjustment to frequency adjustment. The screen display will change as follows.



- [5.2] In FX mode, rotating the knob clockwise / counter clockwise adjusts the color temperature / frequency corresponding to the cursor area..
- ⑥ **USB-C Power Supply and DMX Interface:** You can connect a USB-C power source such as a 140W PD charger, battery grip, 100W PD power bank, etc., to provide a mobile power supply solution for the RC 100B, Max 110W DC input. Additionally, you can connect a USB-C to DMX adapter to establish a wired DMX connection for the RC 100B.
- ⑦ **Mini XLR Input Interface:** You can connect an AC to DC adapter (optional) via this port to provide continuous wall plug power supply for the RC 100B.



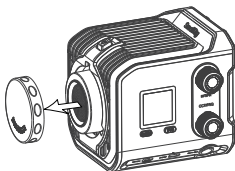
- ⑧ **V-Mount Lock:** Adopts V-Mount battery and NP-F battery plate mounting.
- ⑨ **V-Mount Lock Release Button:** Press once to release the V-Mount battery or NP-F battery plate.
- ⑩ **BP Input Interface:** You can provide a mobile power supply solution for the RC 100B through the V-Mount battery or NP-F battery plate. It supports 125W V-Mount battery input / 60W NP-F battery input.
- ⑪ **Mini Modifiers Release Button:** Press once to release the connection of the mini modifiers.

Installations

EN

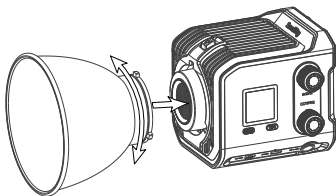
1. Remove or insert Silicone Cover:

Follow the arrows to remove / insert the silicone cover.



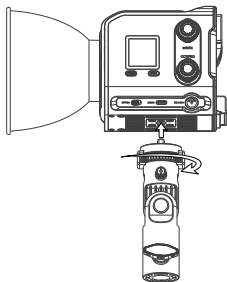
2. Installation and Removal for Mini-Mount Modifiers:

Align the mini-mount reflector with the mini-mount port on the front of the light. Rotate counter clockwise to install. Push the Mini modifiers release button and rotate the mini reflector clockwise to remove.



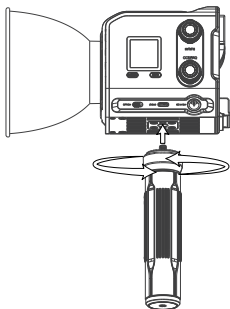
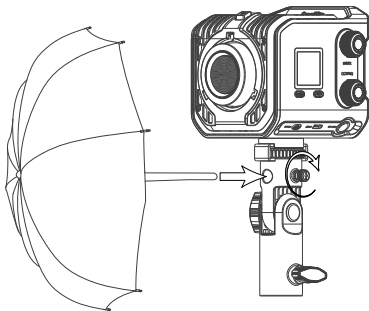
3. Mounting the Light to a Light Stand:

First, connect the light stand adaptor to the RC 100B using the 1/4" threaded hole on the bottom. Then, install the light stand adaptor onto the light stand and adjust the angle of the RC 100B. Finally, tighten the tilt lock on the light stand adaptor to secure it.



4. Mounting the Light to a Grip Handle:

Rotate the handle clockwise to attach it to the RC 100B using the 1/4" threaded hole on the bottom.

**5. Photographic Lighting Umbrellas Installation:** Insert the handle of the photographic lighting umbrellas into the umbrella hole of the light stand adaptor and tighten the knob on the side to secure it.**6. Creative Installation Methods:** The RC 100B can be flexibly connected to accessories such as a magic arm or clamp via the 1/4" threaded hole to achieve lighting setups in places where it is inconvenient to use a light stand.

Power Supply

EN

The RC 100B features BP interface / USB-C interface / mini XLR interface, allowing direct connection to V-mount batteries / NP-F battery plate with NP-F970 batteries / battery grips for mobile power supply, or continuous wall outlet power supply via PD chargers / AC to DC adapters (optional).

To ensure fully output of the gear, it is recommended that users use V-mount batteries of 98Wh or above (V-mount battery voltage should not exceed 35V) / USB-C PD power supplies of 100W or above / AC to DC adapters to power the RC 100B. Additionally, when powering the RC 100B with a USB-C PD power supply of 100W or above, please use a USB-C to USB-C charging cable that complies with the PD 3.1 specification. (The standard version includes a PD 3.1 charging cable)

Please note that if the power of the USB-C power supply is less than 100W, such as a USB-C PD power bank providing only 45W output power, the illumination output of the RC 100B will only reach around 45%. Furthermore, due to limitations in the peak output of different brands of V-mount batteries / NP-F batteries, using batteries below the NP-F970 specification or V-mount Battery below 98Wh may cause abnormal operation of the gear / battery. Using two NP-F970 batteries will only provide approximately 60% of the maximum illumination output for the RC 100B.

The RC 100B features a low battery alert function. When the external battery power is detected to be below 12V, a low battery alert will be triggered. Please replace the battery promptly or connect to another power source.



Overheating protection:

1. To ensure the long-term stable operation of the RC 100B, it is recommended to store and use this equipment in accordance with the temperature, humidity, and environment mentioned in the "Important Prompt" The RC 100B features a built-in overheating protection function. If the temperature of the COB Chip exceeds the limitation of 100°C / 212°F, the gear will activate overheating protection status.



2.If the screen displays "Sensor error" it indicates a malfunction of the temperature sensor in the device, and the equipment will cease operation. Please contact the dealer from whom you purchased the device for post-purchase repairs.



EN Product Specifications

RC 100B COB LED Video Light

Power Consumption (Max)	100W	Cooling Mode	Active Cooling
CRI	96	TLCI	97
Color Temperature	2700K - 6500K (± 200K)		
Input	USB-C Input: PD 3.1: 5V=3A, 9V=3A, 12V=3A, 15V=3A, 20V=5A, 28V=5A (Max 140W) QC 2.0 / AFC / FCP: 5V=3A, 9V=2A, 12V=1.5A (Max 18W) APPLE-2.4A: 5V=2.4A Mini XLR Input: 24V=4.7A (Max 110W) BP Input: 11V - 16.8V / 3.58 - 9.1A (Max 100W V mount / Max 60W NP-F)		
Dimensions	115.0 × 95.0 × 95.0mm / 4.5 × 3.7 × 3.7in		
Weight	700.0 ± 20.0g / 24.7 ± 0.7oz		

Light Source Test Data Sheet

Bare Light:

Color Temperature (Setting)	Actual color temperature	Illumination (Lux@1m)	CRI (Ra)	TLCI	ΔUV	SSI	TM-30	
							Rf	Rg
2700K	2669	3150	97	97	0.0051	90	95	96
3200K	3211	3630	98	98	-0.0015	91	97	102
5600K	5516	4610	97	99	-0.0006	85	96	103
6500K	6413	4240	97	99	0.0015	83	96	102

With mini Reflector:

Color Temperature (Setting)	Actual color temperature	Illumination (Lux@1m)	CRI (Ra)	TLCI	ΔUV	SSI	TM-30	
							Rf	Rg
2700K	2632	13500	97	97	0.0057	89	95	96
3200K	3143	15400	98	98	-0.0007	91	97	102
5600K	5630	20100	97	99	0.0006	86	96	102
6500K	6531	16300	96	99	0.0033	84	96	101

重要提示

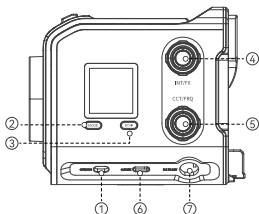
感谢您购买 SmallRig 产品。

1. 使用本产品之前，请仔细阅读用户手册。
2. 请注意所有警告提示并遵循使用用户手册内的所有指令。
3. 儿童使用设备时，应由成人监督和陪同。请勿将设备置于无人看管状态。
4. 使用前请取下COB灯珠的硅胶保护罩。
5. 设备使用后，COB灯珠及面板区域、设备顶部与底部均为高温区域。给设备降温前，请避免接触高温区域。出于您的安全与健康考虑，使用本设备时请勿遮挡散热孔，设备工作时，也不要长时间直视COB灯珠。
6. 如需使用电源延长线，请确保使用的延长线的额定电流标号大于或等于设备的额定电流标号。额定电流标号较低的电线可能会导致线缆或机身过热。
7. 使用后请妥善归置电源线，以避免设备被电源线绊倒或拉扯电源线导致设备断电。请记住，电源线不可接触灼热表面。
8. 请勿操作损坏的设备或电源线损坏的附件。一旦设备或附件损坏或故障，请寻找合格的维修人员检查。
9. 在存放和收纳之前，请确保设备完全冷却。待设备冷却后，请将其放置在收纳盒的相应位置。
10. 为了保证设备正常运作，建议将其存放在阴凉、干燥、整洁的环境中。请勿将本设备存放在潮湿、有液体或其他易燃、易挥发溶剂附近，以避免损坏设备。
11. 工作温度：-10 ~ 45°C (14 ~ 113°F)
12. 参考储存温度/湿度：20°C ± 5°C (59~77°F) / 60 ± 15%
13. 如果需要清洁本设备表面，请使用干燥的软布进行清洁。在清洁和维修之前，请务必拔下电源适配器和机身连接线。
14. 为降低电击风险，严禁将本设备浸入水中或其他液体中。
15. 为降低电击风险，严禁私自拆卸本设备。如果设备出现故障需要维修，请咨询相关购买渠道并交由专业维修人员处理。非规范的组装和维修可能存在安全隐患，未经授权禁止私自拆卸，一经核实，SmallRig将执行保修无效操作。
16. 使用非SmallRig推荐的配件可能会引起火灾或电击等危险。请参考SmallRig提供的配件，或根据SmallRig提供的规格信息，使用经过合格制造商认证的配件。如果经核实，使用不合格的配件导致设备故障，SmallRig将执行保修无效操作。
17. 若发现产品有任何损坏，请立即停止使用并联系售后服务部门进行维修或更换。



注意：(1) 请勿触摸COB LED灯珠及前盖玻璃！

(2) 为保证产品全功率工作，建议使用输出功率在120W以上的V口电池。



- ① 开关机拨钮：接通电源后，拨动至“ON”并旋转INT旋钮一圈进行RC 100B开机操作；拨动至“OFF”关机。白色开机界面底部会显示设备蓝牙名称后缀。此时屏显变化如下：



- ② 模式键 (Mode)：单击该按键可循环切换色温模式 (CCT) / 特效模式 (FX)。此时屏显变化如下：



- [2.1] 在色温模式或特效模式下，长按该按钮2秒可存储当前参数，并进入预设模式 (PRESET)。旋转INT旋钮以选择预设，并单击确认。再次长按按钮2秒或选择预设以退出。最多可存储4组预设参数。屏幕显示将如下变化：



- ③ 蓝牙/静音控制键 (BT)：双击该按键可循环切换RC 100B的工作模式。可通过观察左上图标查看RC 100B工作模式。

无图标：正常模式，不限制亮度；

红色静音图标：静音模式，限制20%亮度模式；

白色风扇图标：低风噪模式，限制70%亮度模式，此时图标显示如下：



- [3.1] 开机后，长按蓝牙/静音控制键可重置蓝牙连接，此时蓝牙图标将快速闪烁，您可以打开SmallGoGo应用，根据开机提示的蓝牙后缀为设备组网。如果您未下载SmallGoGo，请扫描以下二维码了解/下载，或者在Google Play / App store等应用商店搜索下载。



- ④ INT / FX旋钮 (亮度调节/特效调节旋钮): CCT模式下，顺/逆时针转动旋钮可增大/降低亮度输出比例，单击可快速切换33% / 66% / 100%亮度输出比例。

- [4.1] 特效模式 (FX) 下，单击INT / FX旋钮可把光标从亮度调节切换至特效调节此时屏显变化如下：



- [4.2] 此时顺 / 逆时针转动INT / FX旋钮，可调节光标区域对应的九种光效 / 亮度比例。

狗仔队	电视	坏灯泡	闪电	呼吸	闪烁	舞会	火焰	烟花

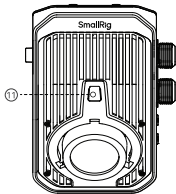
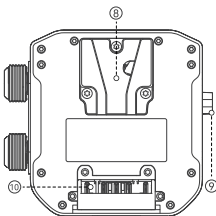
- ⑤ CCT / FRQ键（色温调节以及频率调节键）：CCT模式下，顺 / 逆时针转动旋钮可增大 / 降低色温数值，单击可快速切换3200K / 4300K / 5600K色温。

【5.1】特效模式（FX）下，单击CCT / FRQ旋钮可把光标从色温调节切换至频率调节，此时屏显变化如下：



【5.2】特效模式下，此时顺 / 逆时针转动旋钮，可调节光标区域对应的色温 / 特效频率。

- ⑥ USB-C供电及DMX通讯接口：可接入USB-C电源如 140W PD充电器 / 电池手柄 / 100瓦PD充电宝等，为RC 100B提供移动供电方案，最高支持100W USB-C输入；另外可接入USB-C转DMX转换器，为RC 100B提供有线DMX连接。
- ⑦ 迷你XLR输入接口：可接入AC to DC适配器（选购），为RC 100B提供墙插持续供电方案。最高支持110W DC输入。

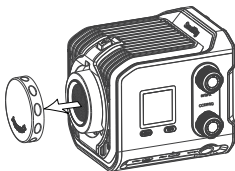


- ⑧ V口挂板母座：提供V口电池以及NP-F电池挂板安装功能。
- ⑨ V口挂板释放按键：单击可解除V口电池或NP-F电池挂板的连接。
- ⑩ BP输入接口：可通过V口电池或者NP-F挂板，为RC 100B提供移动供电方案。支持125W V口电池输入 / 60W NP-F电池输入。
- ⑪ 迷你附件释放键：单击可解除迷你控光附件的连接。

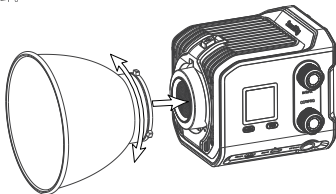
安装步骤

CN

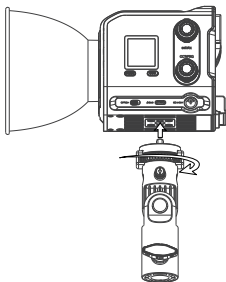
1. 取放镜头保护罩：按照箭头方向操作，硅胶保护罩可分别取出 / 放入。



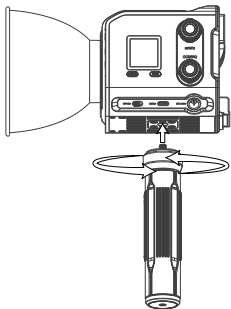
2. Mini卡口控光附件的安装与拆卸：以mini标准罩为例，将mini标准罩对准灯体前盖的mini卡口，逆时针旋转即安装；单击附件释放键，并顺时针旋转mini标准罩进行拆卸。



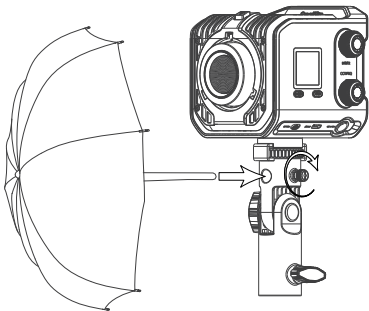
3. 固定灯体至灯架：先通过RC 100B底部的1/4" 螺纹孔，将支撑柱与灯体连接，再将支撑柱安装至灯架，并调节RC 100B的照射角度。最后通过支撑柱的旋钮进行锁紧。



4. 固定灯体至手柄：通过RC 100B底部的1/4" 螺纹孔，将手柄顺时针旋转连接灯体。



5. 柔光伞的安装：将柔光伞伞柄插入支撑柱伞孔内，并锁紧伞孔侧边的旋钮即可。



6. 创意安装方式：可以灵活运用魔术手臂 / 蟹钳夹等配件连接RC 100B 底部1/4" 螺纹口，在一些不方便放置灯架的地方进行布光。

RC 100B包含 BP接口 / USB-C接口 / 迷你XLR接口，可以直连V口电池 / 接NP-F挂板连接NP-F 970电池 / 电池手柄等进行移动供电，也可以通过PD充电器 / AC转DC适配器（另购）进行墙插持续供电。

为保证产品全功率运作，建议用户使用98Wh或以上的V口电池（V口电池电压不能超过35V） / 100W或以上USB-C PD电源 / AC转DC适配器给RC 100B进行供电。另外使用100W或以上的USB-C PD电源对RC 100B进行供电时，请使用PD 3.1规格USB-C转USB-C充电线。（标准版含PD 3.1充电线）

需注意，若USB-C电源功率不足100W，如USB-C PD充电宝只提供45W 输出功率，则RC 100B的照度输出只能达到45%左右。另外受限于不同品牌的V口电池 / NP-F电池的峰值功率输出，低于NP-F970规格电池可能导致机器 / 电池的工作异常，使用两块NP-F970只能给RC 100B提供约60%的最大照度输出。

RC 100B支持低电提醒功能，当监测到外部电池供电低于12V时，会触发低电提示，请及时更换电池，或接入其他电源。



过热保护:

为保证RC 100B的长时间稳定工作，建议您按照“重要提醒”的温度 / 湿度 / 环境下储存及使用本设备。RC 100B内置过热保护功能，当COB灯珠温度超过100°C时，机器会采取过热保护措施。



若屏幕出现Sensor error，代表设备的温度传感器失效，设备会停止运作。请寻找购买设备的经销商进行售后维修。



CN 产品参数

RC 100B COB 影视补光灯

功率 (Max)	100W	散热方式	主动散热
CRI	96	TLCI	97
色温	2700K - 6500K (± 200K)		
输入	USB-C 输入: PD 3.1: 5V=3A, 9V=3A, 12V=3A, 15V=3A, 20V=5A, 28V=5A (最大 140W); QC 2.0 / AFC / FCP: 5V=3A, 9V=2A, 12V=1.5A (最大 18W); APPLE-2.4A: 5V=2.4A; 迷你 XLR输入: 24V=4.7A (Max 110W); BP 输入: 11V - 16.8V / 3.58 - 9.1A (V口电池最大 100W / NP-F电池最大 60W)		
产品尺寸	115.0 × 95.0 × 95.0mm / 4.5 × 3.7 × 3.7in		
产品重量	700.0 ± 20.0g / 24.7 ± 0.7oz		

光源测试数据表

裸光源:

设定色温	实际色温	照度 Lux@1m	CRI (Ra)	TLCI	ΔUV	SSI	TM-30	
							Rf	Rg
2700K	2669	3150	97	97	0.0051	90	95	96
3200K	3211	3630	98	98	-0.0015	91	97	102
5600K	5516	4610	97	99	-0.0006	85	96	103
6500K	6413	4240	97	99	0.0015	83	96	102

带标准罩:

设定色温	实际色温	照度 Lux@1m	CRI (Ra)	TLCI	ΔUV	SSI	TM-30	
							Rf	Rg
2700K	2632	13500	97	97	0.0057	89	95	96
3200K	3143	15400	98	98	-0.0007	91	97	102
5600K	5630	20100	97	99	0.0006	86	96	102
6500K	6531	16300	96	99	0.0033	84	96	101

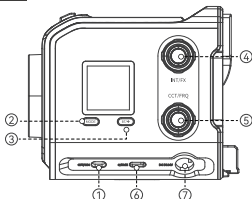
Vielen Dank für den Kauf von SmallRig's Produkten,

1. Bevor Sie dieses Produkt verwenden, lesen Sie bitte sorgfältig die Bedienungsanleitung durch.
2. Bitte beachten Sie alle Warnhinweise und befolgen Sie alle Anweisungen in der Bedienungsanleitung.
3. Kinder sollten dieses Gerät nur unter Aufsicht von Erwachsenen bedienen. Lassen Sie das Gerät bitte nicht unbeaufsichtigt und ohne kontinuierliche Überwachung.
4. Bitte entfernen Sie die Silikonabdeckung vor dem COB-Chip-Board vor Gebrauch.
5. Nach der Benutzung wird das COB-Chip-Board sowie die Ober- und Unterseite des Geräts sehr heiß. Berühren Sie diese Bereiche bitte erst, wenn das Gerät abgekühlt ist. Zur Ihrer Sicherheit und Gesundheit sollten Sie die Kühlöffnungen nicht blockieren und direkten Augenkontakt mit dem COB-LED-Chip vermeiden.
6. Falls Sie ein längeres Netzkabel verwenden müssen, stellen Sie sicher, dass die angegebene Ampere-Marke auf dem Netzkabel größer oder gleich der bewerteten Ampere-Marke des Geräts ist.
7. Um Stolpern über das Netzkabel oder unbeabsichtigtes Herausziehen zu vermeiden, was zum Verlust der Stromversorgung des Geräts führen kann, sichern Sie das Netzkabel bitte ordnungsgemäß nach der Verwendung. Achten Sie außerdem darauf, das Netzkabel nicht in der Nähe von Hitzequellen oder Schnittstellen zu platzieren.
8. Stellen Sie sicher, dass das Gerät vollständig abgekühlt ist, bevor Sie es lagern. Platzieren Sie es im entsprechenden Fach der Tragetasche.
9. Betriebstemperatur: -10 bis 45 °C (14 bis 113 °F).
10. Referenzlagerungstemperatur / Luftfeuchtigkeit: 20°C ± 5°C (59-77°F) / 60 ± 15%.
11. Wenn Sie die Oberfläche dieses Geräts reinigen müssen, verwenden Sie bitte ein trockenes, weiches Tuch. Vor der Reinigung und Wartung stellen Sie sicher, dass der Netzadapter und das Verbindungskabel zur Stromquelle getrennt sind.
12. Um das Risiko eines elektrischen Schocks zu reduzieren, ist es strengstens verboten, dieses Gerät in Wasser oder andere Flüssigkeiten einzutauchen.
13. Um das Risiko eines elektrischen Schocks zu reduzieren, ist es strengstens untersagt, dieses Gerät ohne Autorisierung zu zerlegen. Wenn das Gerät eine Fehlfunktion aufweist und Reparaturen erforderlich sind, konsultieren Sie bitte den entsprechenden Kaufkanal und übergeben Sie es professionellem Reparaturpersonal. Nicht standardmäßige Montage und Reparaturen können Sicherheitsrisiken verursachen. Nicht autorisiertes Zerlegen ist strengstens untersagt, und einmal überprüft, wird SmallRig die Garantie als ungültig betrachten.
14. Die Verwendung von nicht von SmallRig empfohlenem Zubehör kann Gefahren wie Feuer oder elektrischen Schock verursachen. Bitte verwenden Sie Zubehörteile, die von SmallRig bereitgestellt werden, oder zertifiziertes Zubehör von qualifizierten Herstellern gemäß den von SmallRig angegebenen Spezifikationen. Wenn festgestellt wird, dass die Verwendung von nicht konformem Zubehör zu Funktionsstörungen des Geräts führt, wird SmallRig die Garantie als ungültig betrachten.
15. Wenn Schäden am Produkt festgestellt werden, hören Sie sofort auf es zu verwenden und wenden Sie sich an den Service für Kundenservice für Reparatur oder Austausch.

**Achtung:**

- (1) Berühren Sie nicht den COB-LED-Chip und das vordere Abdeckungsglas.
- (2) Um sicherzustellen, dass das Produkt mit voller Leistung arbeitet, wird empfohlen, eine V-Port-Batterie mit einer Ausgangsleistung von über 120W zu verwenden.

DE Produktübersicht



- ① **ON/OFF-Schalter:** Nach dem Anschließen an die Stromquelle drehen Sie den Schalter auf "ON" und drehen Sie den INT-Knopf einmal herum, um den RC 100B einzuschalten; drehen Sie den Schalter auf "OFF", um das Gerät auszuschalten. Der Bluetooth-Name-Suffix des Geräts wird am unteren Rand der weißen Startoberfläche angezeigt. Die Bildschirmanzeige ändert sich wie folgt.



- ② **Modus-Taste:** Durch Klicken auf diese Taste können Sie zwischen dem Farbtemperaturmodus (CCT-Modus) und dem Spezialeffektmodus (FX-Modus) wechseln. Die Bildschirmanzeige ändert sich wie folgt.



- [2.1] Im CCT/FX-Modus drücken Sie die Modus-Taste 2 Sekunden lang, um die aktuellen Parameter zu speichern und in den VOREINSTELLUNGS-Modus zu wechseln. Drehen Sie den INT-Knopf, um die Voreinstellungen auszuwählen, und klicken Sie zur Bestätigung. Drücken Sie die Taste erneut 2 Sekunden lang oder wählen Sie die Voreinstellung, um den Modus zu verlassen. Es können bis zu vier Sätze von voreingestellten Parametern gespeichert werden. Die Bildschirmanzeige ändert sich wie folgt.



- ③ **Bluetooth / Stummschaltungssteuerungstaste (BT):** Doppelklicken Sie auf diese Taste, um durch die Arbeitsmodi des RC 100B zu wechseln, Sie können das Symbol oben links verwenden, um den Arbeitsmodus des RC 100B zu sehen.
Kein Symbol: Normalmodus, uneingeschränkte Helligkeit;
Rotes Stummschaltungs-Symbol: Stummmodus, Helligkeitsbegrenzung auf 20%;
Weißes Lüfter-Symbol: Modus mit geringem Lüftergeräusch, Helligkeitsbegrenzung auf 70%. Die Bildschirmanzeige ändert sich wie folgt:



- [3.1] Nach dem Einschalten halten Sie die Bluetooth / Stummschaltungssteuerungstaste gedrückt, um die Bluetooth-Verbindung zurückzusetzen. Das Bluetooth-Symbol wird schnell blinken. Öffnen Sie die SmallGoGo-Anwendung und richten Sie ein Netzwerk für das Gerät basierend auf dem Bluetooth-Suffix ein, das während des Starts angezeigt wird. Falls Sie SmallGoGo noch nicht heruntergeladen haben, scannen Sie bitte den QR-Code unten für weitere Informationen und den Download oder suchen Sie nach der Anwendung in App-Stores wie Google Play/App Store.



- ④ **INT/FX-Knopf (Intensitäts-/Spezialeffekt-Knopf):** Im CCT-Modus erhöht / verringert das Drehen des Knopfes im Uhrzeigersinn/gegen den Uhrzeigersinn das Helligkeitsausgangsverhältnis. Durch Klicken auf den Knopf können Sie schnell zwischen 33%/66%/100% Helligkeitsausgangsverhältnissen wechseln.
 [4.1] Im FX-Modus wechselt das Klicken auf den INT/FX-Knopf den Cursor von der Helligkeitsanpassung zur Effektanpassung. Die Bildschirmanzeige ändert sich wie folgt.



- [4.2] Das Drehen des INT / FX-Knopfes im Uhrzeigersinn / gegen den Uhrzeigersinn zu diesem Zeitpunkt passt das 9-fache Lichteffekte / Helligkeitsverhältnis entsprechend dem Cursor-Bereich an.

Paparazzi	Fernsehen	Faltkolben	Blitz	Atmung	Flackern	Party	Flame	Feuerwerk

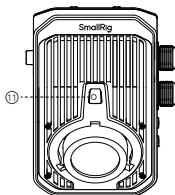
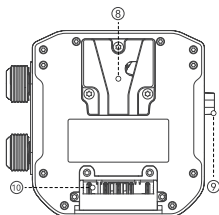
- ⑤ **CCT / FRQ-Knopf (Farbtemperatur / Frequenzanpassungsknopf):** Im CCT-Modus erhöht / verringert das Drehen des Knopfes im Uhrzeigersinn / gegen den Uhrzeigersinn den Farbtemperaturwert. Durch Klicken auf den Knopf können Sie schnell zwischen 3200K / 4300K / 5600K Farbtemperaturen wechseln.

- ⑤.1 Im FX-Modus wechselt das Klicken auf den CCT/FRQ-Knopf den Cursor von der Farbtemperaturanpassung zur Frequenzanpassung. Die Bildschirmanzeige ändert sich wie folgt.

- ⑤.2 Im FX-Modus passt das Drehen des Knopfes im Uhrzeigersinn / gegen den Uhrzeigersinn die Farbtemperatur / Frequenz entsprechend dem Cursor-Bereich an.

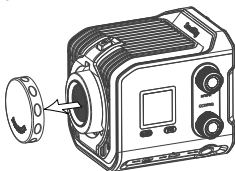
- ⑥ **USB-C Stromversorgung und DMX-Schnittstelle:** Sie können eine USB-C Stromquelle wie ein 140W PD Ladegerät, Batteriegriff, 100W PD Powerbank usw. anschließen, um eine mobile Stromversorgungslösung für den RC 100B bereitzustellen. Maximal 110W DC Eingang. Zusätzlich können Sie einen USB-C zu DMX Adapter anschließen, um eine kabelgebundene DMX Verbindung für den RC 100B herzustellen.

- ⑦ **Mini-XLR Eingangsschnittstelle:** Über diesen Anschluss können Sie optional ein AC zu DC Adapter anschließen, um eine kontinuierliche Netzstromversorgung für den RC 100B bereitzustellen. Maximal 110W DC Eingang.

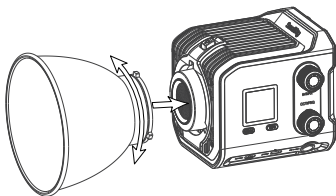


- ⑧ **V-Mount Verriegelung:** Bietet die Montagefunktionalität für V-Mount Batterien und NP-F Batterieplatten.
- ⑨ **V-Mount Verriegelung Lösetaste:** Drücken Sie einmal, um die Verbindung der V-Mount Batterie oder NP-F Batterieplatte zu lösen.
- ⑩ **BP Eingangsschnittstelle:** Sie können eine mobile Stromversorgungslösung für den RC 100B über die V-Mount Batterie oder NP-F Batterieplatte bereitstellen. Es unterstützt 125W V-Mount Batterieeingang/60W NP-F Batterieeingang.
- ⑪ **Mini-Modifiers-Freigabetaste:** Drücken Sie einmal, um die Verbindung der Mini-Modifiers zu lösen.

1. **Entfernen oder Einsetzen der Silikonabdeckung:** Folgen Sie den Pfeilen, um die Silikonabdeckung zu entfernen / einzusetzen.

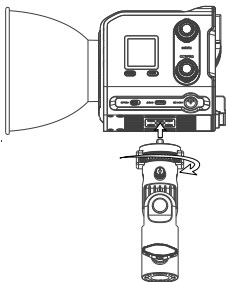


2. **Installation und Entfernung der Mini-Mount Modifikatoren:** Nehmen Sie den Mini-Reflektor als Beispiel. Richten Sie den Mini-Mount-Reflektor mit dem Mini-Mount-Anschluss auf der Frontabdeckung der Leuchte aus. Drehen Sie gegen den Uhrzeigersinn, um ihn zu installieren, Drücken Sie die Mini-Modifiers Freigabetaste und drehen Sie den Mini-Reflektor im Uhrzeigersinn, um ihn zu entfernen.



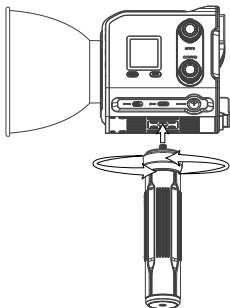
3. **Befestigen der Leuchte an einem Lichtstativ:**

Verbinden Sie zunächst den Lichtstativ-Adapter über das 1/4-Zoll-Gewindeloch an der Unterseite des RC 100B. Installieren Sie dann den Lichtstativ-Adapter am Lichtstativ und justieren Sie den Winkel des RC 100B. Zuletzt ziehen Sie die Neigungsverriegelung am Lichtstativ-Adapter fest, um ihn zu sichern.



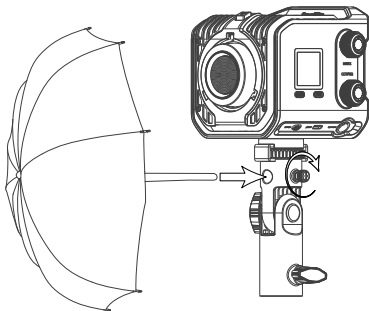
4. Befestigen der Leuchte an einem Griff:

Drehen Sie den Griff im Uhrzeigersinn über das 1/4-Zoll-Gewindeloch an der Unterseite des RC 100B.



5. Installation von fotografischen Beleuchtungsschirmen:

Führen Sie den Griff der fotografischen Beleuchtungsschirme in das Schirmloch des Lichtstativ-Adapters ein und ziehen Sie die Schraube an der Seite fest, um sie zu sichern.



6. Kreative Installationsmethoden:

Der RC 100B kann flexibel mit Zubehör wie einem Magic Arm oder einer Klammer über das 1/4-Zoll-Gewindeloch verbunden werden, um Beleuchtungsaufbauten an Orten zu erreichen, wo die Verwendung eines Lichtstativs unpraktisch ist.

Der RC 100B wird mit BP-Schnittstelle / USB-C-Schnittstelle / Mini-XLR-Schnittstelle geliefert, die eine direkte Verbindung zu V-Mount-Batterien / NP-F-Batterieplatten mit NP-F970-Batterien / Batteriegriffen für die mobile Stromversorgung oder kontinuierliche Netzstromversorgung über PD-Ladegeräte / AC-DC-Adapter (optional) ermöglicht.

Um die volle Leistung des Geräts sicherzustellen, wird empfohlen, V-Mount-Batterien mit einer Kapazität von 98Wh oder höher (die Spannung der V-Mount-Batterie sollte 35V nicht überschreiten) / USB-C-PD-Netzteile mit einer Leistung von 100W oder höher / AC-DC-Adapter für die Stromversorgung des RC 100B zu verwenden. Wenn der RC 100B mit einem USB-C-PD-Netzteil mit einer Leistung von 100W oder mehr betrieben wird, verwenden Sie bitte ein USB-C-zu-USB-C-Ladekabel, das der PD-3.1-Spezifikation entspricht. (Die Standardversion enthält ein PD-3.1-Ladekabel)

Bitte beachten Sie, dass die Beleuchtungsausgabe des RC 100B bei Verwendung eines USB-C-Netzteils mit einer Leistung von weniger als 100W, wie z.B. einer USB-C-PD-Powerbank mit einer Ausgangsleistung von nur 45W, nur etwa 45% erreichen wird. Darüber hinaus können aufgrund von Leistungseinschränkungen verschiedener Marken von V-Mount-Batterien / NP-F-Batterien bei Verwendung von Batterien unterhalb der NP-F970-Spezifikation oder von V-Mount-Batterien unterhalb von 98Wh abnormale Betriebszustände des Geräts / der Batterie auftreten. Die Verwendung von zwei NP-F970-Batterien liefert nur etwa 60% der maximalen Beleuchtungsausgabe des RC 100B.

Der RC 100B verfügt über eine Funktion zur Benachrichtigung bei niedrigem Batteriestand. Wenn festgestellt wird, dass die externe Batteriespannung unter 12V liegt, wird eine Warnung vor niedrigem Batteriestand ausgelöst. Bitte ersetzen Sie die Batterie rechtzeitig oder schließen Sie eine andere Stromquelle an.



Überhitzungsschutz:

1. Um den langfristig stabilen Betrieb des RC 100B zu gewährleisten, wird empfohlen, dieses Gerät gemäß den in der "Wichtige Hinweise" genannten Temperatur-, Feuchtigkeits- und Umgebungsbedingungen zu lagern und zu verwenden. Der RC 100B verfügt über eine eingebaute Überhitzungsschutzfunktion. Wenn die Temperatur des COB-Chips die Grenze von 100 °C / 212 °F überschreitet, wird der Überhitzungsschutz aktiviert.



2. Wenn auf dem Bildschirm "Sensorfehler" angezeigt wird, deutet dies auf eine Fehlfunktion des Temperatursensors im Gerät hin, und das Gerät wird den Betrieb einstellen. Bitte kontaktieren Sie den Händler, bei dem Sie das Gerät gekauft haben, zwecks Nachkaufreparaturen.



DE Produktparameter

RC 100B COB LED Videoleuchte

Energieverbrauch (Max)	100W	Kühlmodus	Aktive Kühlung
CRI	96	TLCI	97
Farbtemperatur	2700K - 6500K (\pm 200K)		
Eingabe	USB-C Eingang: PD 3.1: 5V \rightarrow 3A, 9V \rightarrow 3A, 12V \rightarrow 3A, 15V \rightarrow 3A, 20V \rightarrow 5A, 28V \rightarrow 5A (Max 140W) QC 2.0 / AFC / FCP: 5V \rightarrow 3A, 9V \rightarrow 2A, 12V \rightarrow 1.5A (Max 18W) APPLE-2.4A: 5V \rightarrow 2.4A Mini XLR Eingang: 24V \rightarrow 4.7A (Max 110W) BP Eingang: 11V - 16.8V / 3.58 - 9.1A (Max 100W V mount / Max 60W NP-F)		
Abmessungen	115.0 \times 95.0 \times 95.0mm / 4.5 \times 3.7 \times 3.7in		
Gewicht	700.0 \pm 20.0g / 24.7 \pm 0.7oz		

Datenblatt für Lichtquellen

Nacktes Licht:

Farbtemperatur (Einstellung)	Tatsächliche Farbtemperatur	Beleuchtung (Lux@1m)	CRI (Ra)	TLCI	Δ UV	SSI	TM-30	
							Rf	Rg
2700K	2669	3150	97	97	0.0051	90	95	96
3200K	3211	3630	98	98	-0.0015	91	97	102
5600K	5516	4610	97	99	-0.0006	85	96	103
6500K	6413	4240	97	99	0.0015	83	96	102

Mit Mini Reflektor:

Farbtemperatur (Einstellung)	Tatsächliche Farbtemperatur	Beleuchtung (Lux@1m)	CRI (Ra)	TLCI	Δ UV	SSI	TM-30	
							Rf	Rg
2700K	2632	13500	97	97	0.0057	89	95	96
3200K	3143	15400	98	98	-0.0007	91	97	102
5600K	5630	20100	97	99	0.0006	86	96	102
6500K	6531	16300	96	99	0.0033	84	96	101

Remarques importantes

Merci d'avoir acheté un produit SmallRig's.

1. Veuillez lire attentivement le manuel d'utilisation avant d'utiliser ce produit.
2. Faites attention à tous les avertissements et suivez toutes les instructions du manuel d'utilisation.
3. Les enfants ne doivent utiliser cet équipement que sous la supervision d'un adulte. Ne laissez pas l'équipement sans surveillance continue.
4. Veuillez retirer le couvercle en silicone devant la carte de puce COB avant utilisation.
5. Après utilisation, la carte de puce COB ainsi que le dessus et le dessous de l'équipement deviendront extrêmement chauds. Évitez de toucher ces zones jusqu'à ce que l'équipement ait refroidi. Pour votre sécurité, ne bloquez pas les trous de ventilation et évitez d'exposer directement vos yeux à la puce LED COB.
6. Si vous avez besoin d'utiliser un câble d'alimentation plus long, assurez-vous que la marque d'ampérage nominale sur le câble d'alimentation est égale ou supérieure à celle de l'équipement.
7. Pour éviter de trébucher sur le câble d'alimentation ou de le tirer accidentellement, ce qui pourrait provoquer une perte de puissance de l'équipement, veuillez sécuriser correctement le câble d'alimentation après utilisation. De plus, soyez prudent et assurez-vous de ne pas placer le câble d'alimentation près de sources de chaleur ou d'interfaces.
8. Assurez-vous que l'équipement a complètement refroidi avant de le ranger. Placez-le dans le compartiment approprié du sac de transport.
9. Température de fonctionnement: -10 à 45°C (14 à 113°F)
10. Température / humidité de stockage de référence: $20^{\circ}\text{C} \pm 5^{\circ}\text{C}$ ($59-77^{\circ}\text{F}$) / $60 \pm 15\%$.
11. Si vous devez nettoyer la surface de cet équipement, utilisez un chiffon doux et sec. Avant de nettoyer et de procéder à la maintenance, assurez-vous de débrancher l'adaptateur d'alimentation et le câble de connexion du corps.
12. Pour réduire le risque de choc électrique, il est strictement interdit d'immerger cet équipement dans l'eau ou tout autre liquide.
13. Pour réduire le risque de choc électrique, il est strictement interdit de démonter cet équipement sans autorisation. En cas de dysfonctionnement nécessitant des réparations, veuillez consulter le canal d'achat pertinent et soumettre l'équipement à un personnel de réparation professionnel. Un assemblage et des réparations non standard peuvent entraîner des risques pour la sécurité. Le démontage non autorisé est strictement interdit et, une fois vérifié, SmallRig considérera la garantie comme nulle.
14. L'utilisation d'accessoires non recommandés par SmallRig peut entraîner des risques tels que l'incendie ou le choc électrique. Veuillez vous référer aux accessoires fournis par SmallRig ou utiliser des accessoires certifiés provenant de fabricants qualifiés en fonction des spécifications fournies par SmallRig. Si l'utilisation d'accessoires non conformes entraîne un dysfonctionnement de l'équipement, SmallRig considérera la garantie comme nulle.
15. Si des dommages sont détectés sur le produit, veuillez cesser son utilisation immédiatement et contacter le service après-vente pour une réparation ou un remplacement.

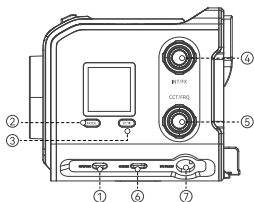
Remarque:



(1) Ne touchez pas la LED COB violette et la version précédente.

(2) Pour garantir le fonctionnement du produit à pleine puissance, il est recommandé d'utiliser une batterie V-port avec une puissance de sortie supérieure à 120W.

FR Aperçu du produit



- ① **Interrupteur ON/OFF:** Après avoir connecté à la source d'alimentation, tournez l'interrupteur sur "ON" et tournez le bouton INT d'un tour pour allumer le RC 100B; tournez l'interrupteur sur "OFF" pour éteindre. Le suffixe du nom Bluetooth de l'appareil s'affichera en bas de l'interface de démarrage blanche. L'affichage à l'écran changera comme suit.



- ② **Bouton Mode:** En cliquant sur ce bouton, vous pouvez basculer entre le mode de température de couleur (mode CCT) et le mode effets spéciaux (mode FX). L'affichage à l'écran changera comme suit.



- [2.1] En mode CCT/FX, appuyez longuement sur le bouton Mode pendant 2 secondes pour enregistrer les paramètres actuels et entrer en mode PRÉRÉGLAGE. Tournez le bouton INT pour sélectionner les préréglages et cliquez pour confirmer. Appuyez de nouveau pendant 2 secondes sur le bouton ou sélectionnez le préréglage pour sortir. Vous pouvez enregistrer jusqu'à quatre ensembles de paramètres prédéfinis. L'affichage à l'écran changera comme suit.



- ③ **Bouton de contrôle Bluetooth / Muet (BT):** Double-cliquez sur ce bouton pour basculer entre les modes de fonctionnement du RC 100B. Vous pouvez observer l'icône en haut à gauche pour voir le mode de fonctionnement du RC 100B.
- Aucune icône:** Mode normal, luminosité non limitée;
- Icône muet rouge:** Mode silencieux, luminosité limitée à 20 %;
- Icône ventilateur blanc:** Mode faible bruit de ventilateur, luminosité limitée à 70 %.
- L'affichage à l'écran changera comme suit:



- [3.1] Après avoir allumé l'appareil, appuyez longuement sur le bouton de contrôle Bluetooth / Muet pour réinitialiser la connexion Bluetooth. L'icône Bluetooth clignotera rapidement. Vous pouvez ouvrir l'application SmallGoGo et configurer un réseau pour l'équipement en utilisant le suffixe Bluetooth indiqué lors du démarrage. Si vous n'avez pas encore téléchargé SmallGoGo, veuillez scanner le QR code ci-dessous pour plus d'informations et le télécharger, ou recherchez-le et téléchargez-le depuis des magasins d'applications comme Google Play/App Store.



- ④ **Bouton INT/FX (Réglage Intensité/Effet Spécial):** En mode CCT, tournez le bouton dans le sens des aiguilles d'une montre / dans le sens contraire des aiguilles d'une montre pour augmenter / diminuer le ratio de sortie de luminosité. En cliquant sur le bouton, vous pouvez basculer rapidement entre les ratios de sortie de luminosité de 33 % / 66 % / 100 %.

- [4.1] En mode FX, en cliquant sur le bouton INT/FX, le curseur passe du réglage de luminosité au réglage d'effet. L'affichage à l'écran changera comme suit.



- [4.2] Tourner le bouton INT/FX dans le sens des aiguilles d'une montre / dans le sens contraire des aiguilles d'une montre à ce stade ajuste le ratio de 9 effets lumineux / luminosité correspondant à la zone du curseur..

Paparazzi	Télévision	Fausse ampoule	Lightning	La respiration	Clignotant	La fête	La flamme	Feux d'artifice

- ⑤ **Bouton CCT/FRQ (Réglage de Température de Couleur/Fréquence):** En mode CCT, tourner le bouton dans le sens des aiguilles d'une montre / dans le sens contraire des aiguilles d'une montre augmente / diminue la valeur de température de couleur. En cliquant sur le bouton, vous pouvez basculer rapidement entre les températures de couleur de 3200K / 4300K / 5600K.

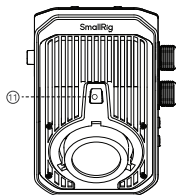
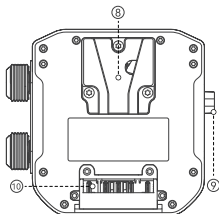
- ⑤.1 En mode FX, en cliquant sur le bouton CCT/FRQ, le curseur passe du réglage de la température de couleur au réglage de la fréquence. L'affichage à l'écran changera comme suit.



- ⑤.2 En mode FX, tourner le bouton dans le sens des aiguilles d'une montre / dans le sens contraire des aiguilles d'une montre ajuste la température de couleur / fréquence correspondant à la zone du curseur.

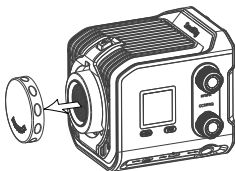
- ⑥ **Alimentation et Interface DMX via USB-C :** Vous pouvez connecter une source d'alimentation USB-C telle qu'un chargeur PD de 140W, une poignée batterie, une batterie externe PD de 100W, etc., pour fournir une solution d'alimentation mobile pour le RC 100B, avec une entrée DC maximale de 110W. De plus, vous pouvez connecter un adaptateur USB-C vers DMX pour établir une connexion DMX filaire pour le RC 100B.

- ⑦ **Interface d'Entrée Mini XLR:** Vous pouvez connecter un adaptateur AC vers DC (optionnel) via ce port pour fournir une alimentation continue depuis une prise murale pour le RC 100B, avec une entrée DC maximale de 110W.

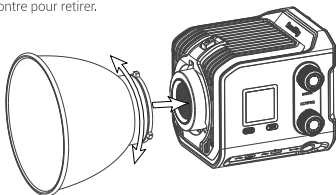


- ⑧ **Verrou V-Mount :** Fournit la fonctionnalité de montage de batterie V-Mount et de plaque de batterie NP-F.
- ⑨ **Bouton de Libération du Verrou V-Mount:** Appuyez une fois pour libérer la connexion de la batterie V-Mount ou de la plaque de batterie NP-F.
- ⑩ **Interface d'Entrée BP:** Vous pouvez fournir une solution d'alimentation mobile pour le RC 100B via la batterie V-Mount ou la plaque de batterie NP-F. Elle prend en charge une entrée de batterie V-Mount de 125W / une entrée de batterie NP-F de 60W.
- ⑪ **Bouton de Libération des Mini Modificateurs:** Appuyez une fois pour libérer la connexion des mini modificateurs.

1. **Retrait ou insertion de la couverture en silicone:** Suivez les flèches pour retirer/insérer la couverture en silicone.

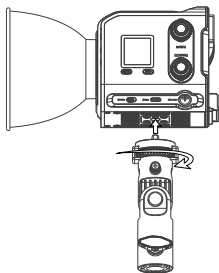


2. **Installation et retrait des mini-modificateurs de montage:** Prenez un mini réflecteur comme exemple. Alignez le mini-modificateur de montage avec le port de montage mini sur le couvercle avant de la lumière. Tournez dans le sens contraire des aiguilles d'une montre pour installer. Appuyez sur le bouton de libération des mini-modificateurs et tournez le mini réflecteur dans le sens des aiguilles d'une montre pour retirer.

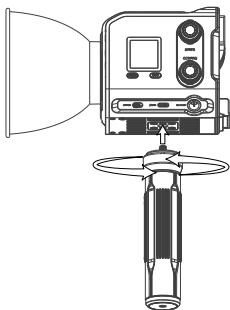


3. **Montage de la lumière sur un pied de lumière:**

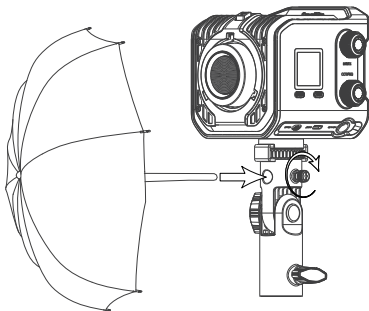
Tout d'abord, fixez l'adaptateur de pied de lumière au RC 100B en utilisant le trou fileté 1/4" en dessous. Ensuite, installez l'adaptateur de pied de lumière sur le pied de lumière et ajustez l'angle du RC 100B. Enfin, serrez le verrou de tilt sur l'adaptateur de pied de lumière pour le sécuriser.



4. **Montage de la lumière sur une poignée de maintien:** Tournez la poignée dans le sens des aiguilles d'une montre sur le RC 100B via le trou fileté 1/4" situé sous le RC 100B.



5. **Installation des parapluies d'éclairage photographique:** Insérez la poignée des parapluies d'éclairage photographique dans le trou de parapluie de l'adaptateur de pied de lumière et serrez le bouton sur le côté pour le sécuriser.



6. **Méthodes d'installation créatives:** Le RC 100B peut être connecté de manière flexible à des accessoires tels qu'un bras magique ou une pince via le trou fileté 1/4" pour réaliser des configurations d'éclairage dans des endroits où l'utilisation d'un pied de lumière est inconfortable.

Le RC 100B est équipé d'une interface BP / USB-C / mini XLR, permettant une connexion directe à des batteries V-mount/ une plaque de batterie NP-F avec des batteries NP-F970/ des poignées de batterie pour une alimentation mobile, ou une alimentation continue via des chargeurs PD/ des adaptateurs AC à DC (en option).

Pour garantir une sortie optimale de l'équipement, il est recommandé aux utilisateurs d'utiliser des batteries V-mount de 98Wh ou plus (la tension des batteries V-mount ne doit pas dépasser 35V)/ des alimentations USB-C PD de 100W ou plus/ des adaptateurs AC à DC pour alimenter le RC 100B. De plus, lors de l'alimentation du RC 100B avec une alimentation USB-C PD de 100W ou plus, veuillez utiliser un câble de charge USB-C à USB-C conforme à la spécification PD 3.1. (La version standard inclut un câble de charge PD 3.1)

Veuillez noter que si la puissance de l'alimentation USB-C est inférieure à 100W, par exemple une banque d'alimentation USB-C PD fournissant seulement 45W de puissance de sortie, la sortie d'illumination du RC 100B n'atteindra que environ 45%. De plus, en raison des limitations de la sortie maximale des batteries V-mount/ NP-F de différentes marques, l'utilisation de batteries inférieures à la spécification NP-F970 ou de batteries V-mount inférieures à 98Wh peut entraîner un fonctionnement anormal de l'équipement /de la batterie. L'utilisation de deux batteries NP-F970 ne fournira qu'environ 60% de la sortie d'illumination maximale pour le RC 100B.

Le RC 100B est équipé d'une fonction d'alerte de batterie faible. Lorsque l'alimentation externe de la batterie est détectée comme étant inférieure à 12V, une alerte de batterie faible est déclenchée. Veuillez remplacer la batterie rapidement ou connecter une autre source d'alimentation.



Protection contre la surchauffe:

1. Pour assurer le fonctionnement stable à long terme du RC 100B, il est recommandé de stocker et d'utiliser cet équipement conformément aux températures, à l'humidité et à l'environnement mentionnés dans les "Instructions Importantes". Le RC 100B est équipé d'une fonction de protection intégrée contre la surchauffe. Si la température de la puce COB dépasse la limite de 100°C / 212°F, l'appareil activera l'état de protection contre la surchauffe.



2. Si l'écran affiche "Erreur de capteur", cela indique un dysfonctionnement du capteur de température de l'appareil, et l'équipement cessera de fonctionner. Veuillez contacter le revendeur chez qui vous avez acheté l'appareil pour les réparations après-vente.



FR Paramètres du produit

Lumière vidéo RC 100B COB LED

Consommation électrique (max)	100W	Mode de refroidissement	Refroidissement actif
CRI	96	TLCI	97
Température de couleur	2700K - 6500K (± 200K)		
Entrée	Entrée USB-C: PD 3.1: 5V~3A, 9V~3A, 12V~3A, 15V~3A, 20V~5A, 28V~5A (Max 140W) QC 2.0 / AFC / FCP: 5V~3A, 9V~2A, 12V~1.5A (Max 18W) APPLE-2.4A: 5V~2.4A Entrée Mini XLR: 24V~4.7A (Max 110W) Entrée BP: 11V - 16.8V / 3.58 - 9.1A (Max 100W V mount / Max 60W NP-F)		
Dimensions	115.0 × 95.0 × 95.0mm / 4.5 × 3.7 × 3.7in		
Poids	700.0 ± 20.0g / 24.7 ± 0.7oz		

Fiche technique de test de source lumineuse

Lumière nue:

Température de couleur (paramètres)	Température de couleur réelle	Éclairage (Lux@1m) et	CRI (Ra)	TLCI	ΔUV	SSI	TM-30	
							Rf	Rg
2700K	2669	3150	97	97	0.0051	90	95	96
3200K	3211	3630	98	98	-0.0015	91	97	102
5600K	5516	4610	97	99	-0.0006	85	96	103
6500K	6413	4240	97	99	0.0015	83	96	102

Equipé d'un mini réflecteur:

Température de couleur (paramètres)	Température de couleur réelle	Éclairage (Lux@1m) et	CRI (Ra)	TLCI	ΔUV	SSI	TM-30	
							Rf	Rg
2700K	2632	13500	97	97	0.0057	89	95	96
3200K	3143	15400	98	98	-0.0007	91	97	102
5600K	5630	20100	97	99	0.0006	86	96	102
6500K	6531	16300	96	99	0.0033	84	96	101

Promemoria Importante

IT

Grazie per aver acquistato il prodotto di SmallRig's.

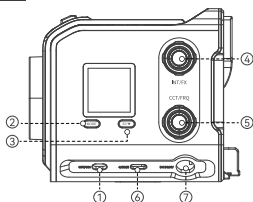
1. Si prega di leggere attentamente il manuale dell'utente prima di utilizzare questo prodotto.
2. Si prega di prestare attenzione a tutte le avvertenze e seguire tutte le istruzioni nel manuale dell'utente.
3. I bambini dovrebbero utilizzare questo apparecchio solo sotto la supervisione di un adulto. Si prega di non lasciare l'attrezzatura incustodita senza supervisione continua.
4. Prima dell'uso, rimuovere il copri silicone di fronte alla scheda del chip COB.
5. Dopo l'uso, la scheda del chip COB, la parte superiore e inferiore dell'attrezzatura diventeranno estremamente calde. Si prega di evitare di toccare queste aree fino a quando l'attrezzatura non si sarà raffreddata. Per la vostra sicurezza e benessere, non ostruire i fori di ventilazione e evitare di esporre direttamente gli occhi al chip LED COB.
6. Se è necessario utilizzare un cavo di alimentazione più lungo, assicurarsi che il marchio di amperaggio nominale sul cavo di alimentazione sia maggiore o uguale a quello nominale sull'attrezzatura.
7. Per evitare di inciampare nel cavo di alimentazione o di tirarlo accidentalmente, il che potrebbe causare un'interruzione dell'alimentazione dell'attrezzatura, assicurare correttamente il cavo di alimentazione dopo l'uso. Inoltre, fare attenzione e assicurarsi di non posizionare il cavo di alimentazione vicino a fonti di calore o interfacce.
8. Assicurarsi che l'attrezzatura si sia completamente raffreddata prima di riporla. Posizionarla nel vano appropriato nella borsa per il trasporto.
9. Temperatura di esercizio: $-10-45^{\circ}\text{C}$ ($14-113^{\circ}\text{F}$).
10. Temperatura / umidità di riferimento per la conservazione: $0^{\circ}\text{C} \pm 5^{\circ}\text{C}$ ($59-77^{\circ}\text{F}$) / $60 \pm 15\%$.
11. Se è necessario pulire la superficie di questa attrezzatura, utilizzare un panno morbido e asciutto. Prima di pulire e eseguire la manutenzione, assicurarsi di scollegare l'adattatore di alimentazione e il cavo di connessione del corpo.
12. Per ridurre il rischio di scosse elettriche, è severamente vietato immergere questa attrezzatura in acqua o altri liquidi.
13. Per ridurre il rischio di scosse elettriche, è severamente vietato smontare questa attrezzatura senza autorizzazione. In caso di malfunzionamento che richiede riparazioni, consultare il canale di acquisto pertinente e rivolgersi a personale di riparazione professionale. Assemblaggi e riparazioni non standard possono causare pericoli per la sicurezza. Lo smontaggio non autorizzato è strettamente vietato e, una volta verificato, SmallRig considererà la garanzia annullata.
14. L'uso di accessori non raccomandati da SmallRig può causare rischi come incendi o scosse elettriche. Si prega di fare riferimento agli accessori forniti da SmallRig o utilizzare accessori certificati da produttori qualificati in base alle specifiche fornite da SmallRig. Se viene verificato che l'uso di accessori non conformi provoca il malfunzionamento dell'attrezzatura, SmallRig considererà la garanzia annullata.
15. Se si riscontrano danni sul prodotto, smettete immediatamente di utilizzarlo e contattate il reparto assistenza clienti per la riparazione o il cambio.



Remarque:

- (1) Ne touchez pas la LED COB violette et la version précédente.
- (2) Per garantire che il prodotto funzioni alla massima potenza, si consiglia di utilizzare una batteria a V-port con una potenza di uscita di oltre 120W.

IT Aperçu du produit



- ① **Interruttore ON/OFF:** Dopo aver collegato alla fonte di alimentazione, ruotare l'interruttore su "ON" e girare il manopolo INT di una volta per accendere il RC 100B; ruotare l'interruttore su "OFF" per spegnere. Il suffisso del nome Bluetooth dell'attrezzatura verrà visualizzato nella parte inferiore dell'interfaccia di avvio bianca. La visualizzazione dello schermo cambierà come segue.



- ② **Pulsante Modalità:** Premendo questo pulsante si passerà dalla modalità temperatura colore (modalità CCT) alla modalità effetti speciali (modalità FX). La visualizzazione dello schermo cambierà come segue.



- [2.1] In modalità CCT / FX, premere a lungo il pulsante modalità per 2 secondi per memorizzare i parametri correnti e passare alla modalità PRESET. Ruotare il manopolo INT per selezionare i preset e cliccare per confermare. Premere di nuovo a lungo il pulsante per 2 secondi o selezionare il preset per uscire. È possibile memorizzare fino a quattro set di parametri preimpostati. La visualizzazione dello schermo cambierà come segue.



- ③ **Pulsante di Controllo Bluetooth/Muto (BT):** Fare doppio clic su questo pulsante per ciclare tra le modalità di lavoro del RC 100B. È possibile osservare l'icona in alto a sinistra per visualizzare la modalità di lavoro del RC 100B.

Nessuna icona: Modalità normale, luminosità illimitata;

Icona rossa di muto: Modalità silenziosa, modalità limitata a 20% di luminosità;

Icona bianca del ventilatore: Modalità rumore del ventilatore ridotto, modalità;

limitata a 70% di luminosità. La visualizzazione dello schermo cambierà come segue:



- [3.1] Dopo l'accensione, premere a lungo il pulsante di controllo Bluetooth / Muto per ripristinare la connessione Bluetooth. L'icona Bluetooth lampeggerà rapidamente. È possibile aprire l'applicazione SmallGoGo e configurare una rete per l'attrezzatura basata sul suffisso Bluetooth visualizzato durante l'avvio. Se non hai ancora scaricato SmallGoGo, scannerizza il codice QR qui sotto per ulteriori informazioni e per il download, oppure cerca e scarica l'app dagli store come Google Play/App Store.



- ④ **Manopola INT / FX (Intensità / Effetto Speciale):** In modalità CCT, ruotando la manopola in senso orario / antiorario si aumenta / diminuisce il rapporto di uscita della luminosità. Premendo la manopola è possibile passare rapidamente tra i rapporti di uscita della luminosità del 33%, 66% e 100%.

- [4.1] In modalità FX, premendo la manopola INT / FX si passa dall'aggiustamento della luminosità all'aggiustamento degli effetti. La visualizzazione dello schermo cambierà come segue.



- [4.2] Ruotando la manopola INT / FX in senso orario / antiorario in questo punto si regola il rapporto tra gli effetti luminosi 9x corrispondente all'area del cursore.

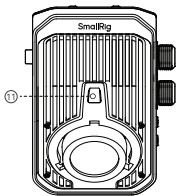
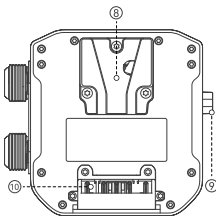
Paparazzi	Televisione	Lampadina falsa	Fulmine	Respira - zione	Flickering	Festa	Fiamma	Fuochi d'artificio

- ⑤ **Manopola CCT / FRQ (Regolazione Temperatura Colore / Frequenza):** In modalità CCT, ruotando la manopola in senso orario/antiorario si aumenta/diminuisce il valore della temperatura colore. Premendo la manopola è possibile passare rapidamente tra le temperature colore di 3200K, 4300K e 5600K.

- ⑤.1] In modalità FX, premendo la manopola CCT / FRQ si passa dall'aggiustamento della temperatura colore all'aggiustamento della frequenza. La visualizzazione dello schermo cambierà come segue.

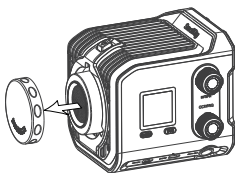


- ⑤.2] In modalità FX, ruotando la manopola in senso orario / antiorario si regola la temperatura colore/frequenza corrispondente all'area del cursore.
- ⑥ **Alimentazione USB-C e Interfaccia DMX:** Puoi collegare una sorgente di alimentazione USB-C come un caricatore PD da 140W, un battery grip, una power bank PD da 100W, ecc., per fornire una soluzione di alimentazione mobile per il RC 100B, con un ingresso DC massimo di 110W. Inoltre, puoi collegare un adattatore USB-C a DMX per stabilire una connessione DMX cablata per il RC 100B.
- ⑦ **Interfaccia di Ingresso Mini XLR:** Puoi collegare un adattatore AC/DC opzionale tramite questa porta per fornire un'alimentazione continua dalla presa a muro per il RC 100B, con un ingresso DC massimo di 110W.

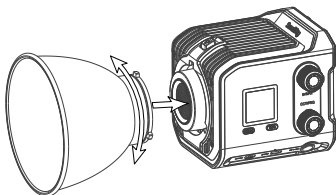


- ⑧ **Blocco V-Mount:** Fornisce la funzionalità di montaggio della batteria V-Mount e della piastra per batteria NP-F.
- ⑨ **Pulsante di Rilascio del Blocco V-Mount:** Premere una volta per sbloccare il collegamento della batteria V-Mount o della piastra per batteria NP-F.
- ⑩ **Interfaccia di Ingresso BP:** Puoi fornire una soluzione di alimentazione mobile per il RC 100B attraverso la batteria V-Mount o la piastra per batteria NP-F. Supporta un'entrata di 125W per la batteria V-Mount e 60W per la batteria NP-F.
- ⑪ **Pulsante di Rilascio dei Mini Modificatori:** Premere una volta per sbloccare il collegamento dei mini modificatori.

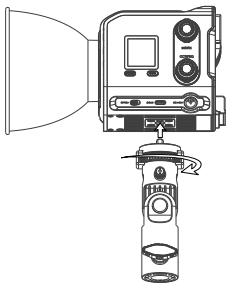
1. Rimuovere o inserire il copri silicone: Seguire le frecce per rimuovere / inserire il copri silicone.



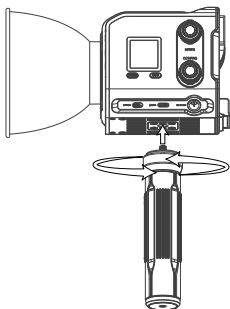
2. Installazione e Rimozione per Modificatori Mini-Mount: Prendere come esempio il riflettore mini, Allineare il riflettore mini-mount con la porta mini-mount sulla copertura frontale della luce. Ruotare in senso antiorario per installare, Premere il pulsante di rilascio dei mini modificatori e ruotare il riflettore mini in senso orario per rimuoverlo.



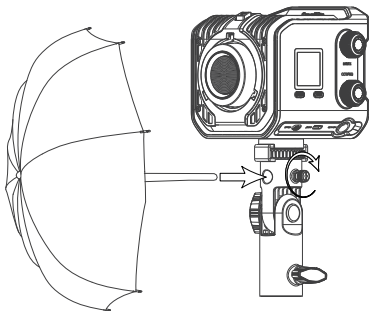
3. Montaggio della Luce su un Treppiede per Luci: Prima, collegare l'adattatore per treppiede alla RC 100B utilizzando il foro filettato da 1/4" sulla parte inferiore. Quindi, installare l'adattatore per treppiede sul treppiede per luci e regolare l'angolo della RC 100B. Infine, serrare il blocco di inclinazione sull'adattatore per treppiede per fissarlo.



- 4. Montaggio della Luce su una Maniglia Grip:** Ruotare la maniglia in senso orario sulla RC 100B tramite il foro filettato da 1/4" sulla parte inferiore della RC 100B.



- 5. Installazione di Ombrelli Fotografici:** Inserire la maniglia degli ombrelli fotografici nel foro dell'ombrello dell'adattatore per treppiede e serrare la manopola sul lato per fissarla.



- 6. Metodi di Installazione Creativi:** La RC 100B può essere collegata in modo flessibile ad accessori come un braccio magico o una morsetta tramite il foro filettato da 1/4" per realizzare configurazioni di illuminazione in luoghi dove è scomodo utilizzare un treppiede.

Il RC 100B è dotato di interfaccia BP / interfaccia USB-C / mini interfaccia XLR, consentendo il collegamento diretto a batterie V-mount / piastra batteria NP-F con batterie NP-F970 / impugnature batteria per alimentazione mobile, o alimentazione continua da rete tramite caricabatterie PD / adattatori AC a DC (opzionale).

Per garantire la piena potenza dell'apparecchio, si consiglia agli utenti di utilizzare batterie V-mount di 98Wh o superiori (la tensione delle batterie V-mount non deve superare i 35V) / alimentatori USB-C PD di 100W o superiori / adattatori AC a DC per alimentare il RC 100B. Inoltre, quando si alimenta il RC 100B con un alimentatore USB-C PD di 100W o superiore, si prega di utilizzare un cavo di ricarica USB-C a USB-C conforme alla specifica PD 3.1. (La versione standard include un cavo di ricarica PD 3,1)

Si noti che se l'alimentazione dell'alimentatore USB-C è inferiore a 100W, come un power bank USB-C PD che fornisce solo 45W di potenza di uscita, l'output di illuminazione del RC 100B raggiungerà solo circa il 45%. Inoltre, a causa delle limitazioni dell'output massimo delle batterie V-mount / NP-F di diverse marche, l'utilizzo di batterie inferiori alla specifica NP-F970 o di batterie V-mount con capacità inferiore a 98Wh può causare un funzionamento anomalo dell'apparecchio / batteria. L'uso di due batterie NP-F970 fornirà solo circa il 60% dell'output massimo di illuminazione per il RC 100B.

Il RC 100B dispone di una funzione di avviso di batteria scarica. Quando viene rilevata una tensione della batteria esterna inferiore a 12V, viene attivato un avviso di batteria scarica. Si prega di sostituire prontamente la batteria o collegarsi a un'altra fonte di alimentazione.



Protezione dal surriscaldamento:

1. Per garantire il funzionamento stabile a lungo termine del RC 100B, si consiglia di conservare e utilizzare questo apparecchio secondo le temperature, l'umidità e l'ambiente menzionati nel "Promemoria Importante". Il RC 100B è dotato di una funzione di protezione integrata dal surriscaldamento. Se la temperatura del chip COB supera il limite di 100°C / 212°F, l'apparecchio attiverà lo stato di protezione dal surriscaldamento.



2. Se lo schermo visualizza "Errore sensore", indica un malfunzionamento del sensore di temperatura nel dispositivo e l'attrezzatura cesserà di funzionare. Si prega di contattare il rivenditore presso cui è stato acquistato il dispositivo per le riparazioni post-acquisto.



IT Parametri del prodotto

Luce video RC 100B COB LED

Consumo energetico (massimo)	100W	Modalità di raffreddamento	Raffreddamento attivo
CRI	96	TLCI	97
Temperatura colore	2700K - 6500K (± 200K)		
Ingresso	Ingresso USB-C: PD 3.1: 5V=3A, 9V=3A, 12V=3A, 15V=3A, 20V=5A, 28V=5A (Massimo 140W) QC 2.0 / AFC / FCP: 5V=3A, 9V=2A, 12V=1.5A (Massimo 18W) APPLE-2.4A: 5V=2.4A; Ingresso Mini XLR: 24V=4.7A (Massimo 110W) Ingresso BP: 11V - 16.8V / 3.58 - 9.1A (Massimo 100W V mount / Massimo 60W NP-F)		
Dimensioni	115.0 × 95.0 × 95.0mm / 4.5 × 3.7 × 3.7in		
Peso	700.0 ± 20.0g / 24.7 ± 0.7oz		

Scheda tecnica di prova della sorgente luminosa

Luce nuda:

Temperatura colore (Impostazione)	Temperatura effettiva del colore	Illuminazione (Lux@1m)	CRI (Ra)	TLCI	ΔUV	SSI	TM-30	
							Rf	Rg
2700K	2669	3150	97	97	0.0051	90	95	96
3200K	3211	3630	98	98	-0.0015	91	97	102
5600K	5516	4610	97	99	-0.0006	85	96	103
6500K	6413	4240	97	99	0.0015	83	96	102

Con mini Riflettore:

Temperatura colore (Impostazione)	Temperatura effettiva del colore	Illuminazione (Lux@1m)	CRI (Ra)	TLCI	ΔUV	SSI	TM-30	
							Rf	Rg
2700K	2632	13500	97	97	0.0057	89	95	96
3200K	3143	15400	98	98	-0.0007	91	97	102
5600K	5630	20100	97	99	0.0006	86	96	102
6500K	6531	16300	96	99	0.0033	84	96	101

Importante aviso

Gracias por comprar los productos de SmallRig's.

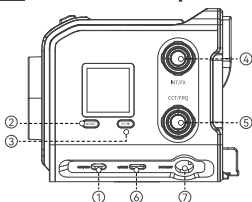
1. Lea el manual del usuario atentamente antes de utilizar el aparato.
2. Preste atención a todas las advertencias y siga todas las instrucciones del manual del usuario.
3. Los niños solo deben operar este equipo bajo la supervisión de un adulto. Por favor, no deje el equipo desatendido sin supervisión continua.
4. Antes de usar, retire la cubierta de silicona frente a la placa de chip COB.
5. Después de usar el equipo, la placa de chip COB, la parte superior y la parte inferior del equipo estarán extremadamente calientes. Por favor, evite tocar estas áreas hasta que el equipo se haya enfriado. Para su seguridad y bienestar, no bloquee los agujeros de enfriamiento y evite exponer directamente sus ojos al chip LED COB.
6. Si necesita usar un cable de alimentación más largo, asegúrese de que la marca de amperios clasificada en el cable de alimentación sea igual o mayor que la clasificación de amperios del equipo.
7. Para evitar tropezar con el cable de alimentación o tirar accidentalmente de él, lo que puede causar que el equipo pierda energía, asegure correctamente el cable de alimentación después de usarlo. Además, tenga cuidado y asegúrese de no colocar el cable de alimentación cerca de fuentes de calor o interfaces.
8. Asegúrese de que el equipo se haya enfriado completamente antes de guardarlo. Colóquelo en el compartimento adecuado en la bolsa de transporte.
9. Temperatura de funcionamiento: $-10-45^{\circ}\text{C}$ ($14-113^{\circ}\text{F}$).
10. Temperatura/humedad de almacenamiento de referencia: $20^{\circ}\text{C} \pm 5^{\circ}\text{C}$ ($59-77^{\circ}\text{F}$) / $60 \pm 15\%$.
11. Si necesita limpiar la superficie de este equipo, utilice un paño suave y seco para la limpieza. Antes de limpiar y realizar mantenimiento, asegúrese de desconectar el adaptador de corriente y el cable de conexión del cuerpo.
12. Para reducir el riesgo de descarga eléctrica, está estrictamente prohibido sumergir este equipo en agua u otros líquidos.
13. Para reducir el riesgo de descarga eléctrica, está estrictamente prohibido desmontar este equipo sin autorización. Si el equipo presenta fallos y requiere reparaciones, consulte el canal de compra relevante y entréguelo a personal de reparación profesional. El montaje y las reparaciones no estándar pueden causar riesgos de seguridad. El desmontaje no autorizado está estrictamente prohibido y, una vez verificado, SmallRig considerará anulado el período de garantía.
14. El uso de accesorios no recomendados por SmallRig puede causar riesgos como incendios o descargas eléctricas. Por favor, consulte los accesorios proporcionados por SmallRig o use accesorios certificados de fabricantes calificados según las especificaciones proporcionadas por SmallRig. Si se verifica que el uso de accesorios no conformes lleva a fallos del equipo, SmallRig considerará anulado el período de garantía.
15. Si nota cualquier daño en el producto, deje de usarlo de inmediato y comuníquese con el departamento de servicio postventa para la reparación o el reemplazo.



Atención:

- (1) No toque el chip LED COB ni el vidrio de la cubierta frontal.
- (2) Para garantizar que el producto funcione a toda potencia, se recomienda utilizar una batería de V-puerto con una potencia de salida de más de 120W.

ES Resumen del producto



- ① **Interruptor ON/OFF:** Después de conectar a la fuente de alimentación, gire el interruptor a "ON" y gire el botón INT una vuelta para encender el RC 100B; gire el interruptor a "OFF" para apagarlo. El sufijo del nombre Bluetooth del equipo se mostrará en la parte inferior de la interfaz de inicio blanca. La pantalla cambiará de la siguiente manera.



- ② **Botón de Modo:** Al hacer clic en este botón, se alternará entre el modo de temperatura de color (modo CCT) y el modo de efectos especiales (modo FX). La pantalla cambiará de la siguiente manera.



- [2.1] En modo CCT/FX, mantenga presionado el botón de modo durante 2 segundos para almacenar los parámetros actuales y entrar en el modo PRESET. Gire el botón INT para seleccionar los ajustes preestablecidos y haga clic para confirmar. Mantenga presionado el botón nuevamente durante 2 segundos o seleccione el ajuste preestablecido para salir. Se pueden almacenar hasta cuatro conjuntos de parámetros preestablecidos. La pantalla cambiará de la siguiente manera.



- ③ **Botón de Control Bluetooth/Mute (BT):** Haga doble clic en este botón para alternar entre los modos de trabajo del RC 100B. Puede observar el ícono en la esquina superior izquierda para ver el modo de trabajo del RC 100B.

Sin ícono: Modo normal, brillo sin restricciones;

Ícono de silencio rojo: Modo silencioso, brillo limitado al 20%;

Ícono de ventilador blanco: Modo de bajo ruido del ventilador, brillo limitado al 70%;

La pantalla cambiará de la siguiente manera:



- [3.1] Después de encender, mantenga presionado el botón de control Bluetooth/Mute para restablecer la conexión Bluetooth. El icono de Bluetooth parpadeará rápidamente. Puede abrir la aplicación SmallGoGo y configurar una red para el equipo según el sufijo Bluetooth que se muestra durante el inicio. Si aún no ha descargado SmallGoGo, escanee el código QR a continuación para obtener más información y descargarla, o busque y descárguela en tiendas de aplicaciones como Google Play/App Store.



- ④ **Perilla INT/FX (Perilla de Intensidad/Efecto Especial):** En modo CCT, girar la perilla en sentido horario/antihorario aumenta/disminuye la proporción de salida de brillo. Al hacer clic en la perilla, se permite cambiar rápidamente entre las proporciones de salida de brillo del 33%, 66% y 100%.

- [4.1] En modo FX, al hacer clic en la perilla INT/FX se cambia el cursor del ajuste de brillo al ajuste de efecto. La pantalla cambiará de la siguiente manera.



- [4.2] Girando la perilla INT/FX en sentido horario/antihorario en este punto ajusta los 9 efectos de luz/proporción de brillo correspondientes al área del cursor.

Paparazzi	Televisores	Bombillas falsas	Relámpago	Respiración	Parpadeo	Fiesta	Llama	Fuegos artificiales

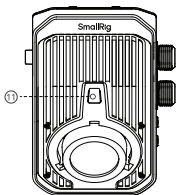
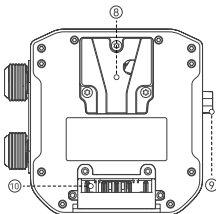
- ⑤ **Perilla CCT/FRQ (Perilla de Temperatura de Color/Ajuste de Frecuencia):** En modo CCT, girar la perilla en sentido horario/antihorario aumenta/disminuye el valor de temperatura de color. Al hacer clic en la perilla, se permite cambiar rápidamente entre las temperaturas de color de 3200K, 4300K y 5600K.

- 【5.1】 En modo FX, al hacer clic en la perilla CCT/FRQ se cambia el cursor del ajuste de temperatura de color al ajuste de frecuencia. La pantalla cambiará de la siguiente manera.



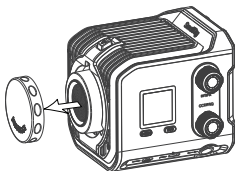
- 【5.2】 En modo FX, girar la perilla en sentido horario/antihorario ajusta la temperatura de color/frecuencia correspondiente al área del cursor.

- ⑥ **Suministro de Energía USB-C e Interfaz DMX:** Puedes conectar una fuente de energía USB-C como un cargador PD de 140W, un grip de batería, un banco de energía PD de 100W, etc., para proporcionar una solución de suministro de energía móvil para el RC 100B, con una entrada máxima de CC de 110W. Además, puedes conectar un adaptador USB-C a DMX para establecer una conexión DMX cableada para el RC 100B.
- ⑦ **Interfaz de Entrada Mini XLR:** Puedes conectar un adaptador de CA a CC (opcional) a través de este puerto para proporcionar un suministro continuo de energía desde la toma de pared para el RC 100B, con una entrada máxima de CC de 110W.

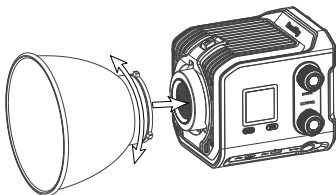


- ⑧ **Bloqueo V-Mount:** Proporciona funcionalidad de montaje de batería V-Mount y placa de batería NP-F.
- ⑨ **Botón de Liberación del Bloqueo V-Mount:** Presiona una vez para liberar la conexión de la batería V-Mount o la placa de batería NP-F.
- ⑩ **Interfaz de Entrada BP:** Puedes proporcionar una solución de suministro de energía móvil para el RC 100B a través de la batería V-Mount o la placa de batería NP-F. Soporta entrada de batería V-Mount de 125W/entrada de batería NP-F de 60W.
- ⑪ **Botón de Liberación de Mini Modificadores:** Presiona una vez para liberar la conexión de los mini modificadores.

1. **Quitar o insertar la Cubierta de Silicona:** Sigue las flechas para quitar / insertar la cubierta de silicona.

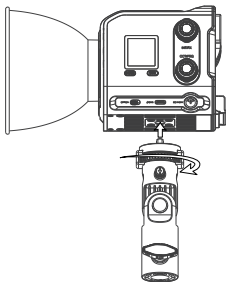


2. **Instalación y Retirada de los Mini Modificadores de Montaje:** Toma como ejemplo el mini reflector. Alinea el mini reflector con el puerto de montaje mini-mount en la cubierta frontal de la luz. Gira en sentido antihorario para instalar. Presiona el Botón de Liberación de Mini Modificadores y gira el mini reflector en sentido horario para quitarlo.



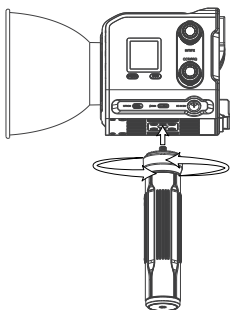
3. **Montaje de la Luz en un Soporte de Luz:**

Primero, conecta el adaptador de soporte de luz al RC 100B usando el agujero roscado de 1/4" en la parte inferior. Luego, instala el adaptador de soporte de luz en el soporte de luz y ajusta el ángulo del RC 100B. Finalmente, aprieta el bloqueo de inclinación en el adaptador de soporte de luz para asegurarlo.

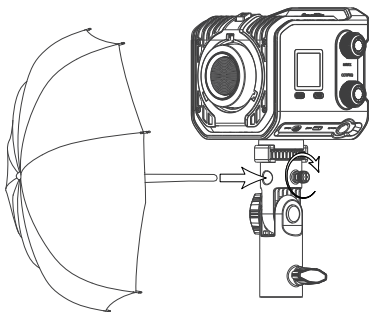


4. Montaje de la Luz en un Mango de Agarre:

Gira el mango en sentido horario en el RC 100B a través del agujero roscado de 1/4" en la parte inferior del RC 100B.



5. Instalación de Sombrillas de Iluminación Fotográfica: Inserta el mango de las sombrillas de iluminación fotográfica en el agujero de la sombrilla del adaptador de soporte de luz y aprieta el tornillo en el lateral para asegurarlo.



6. Métodos de Instalación Creativos: El RC 100B se puede conectar de manera flexible a accesorios como un brazo mágico o abrazadera a través del agujero roscado de 1/4" para lograr configuraciones de iluminación en lugares donde es inconveniente usar un soporte de luz.

Fuente de Alimentación

ES

El RC 100B viene con interfaz BP / interfaz USB-C / mini XLR, lo que permite la conexión directa a baterías V-mount / placa de batería NP-F con baterías NP-F970 / empuñaduras de batería para alimentación móvil, o suministro continuo de energía desde un enchufe de pared a través de cargadores PD / adaptadores AC a DC (opcional).

Para asegurar la salida completa del equipo, se recomienda que los usuarios utilicen baterías V-mount de 98Wh o más (la tensión de la batería V-mount no debe superar los 35V) / fuentes de alimentación USB-C PD de 100W o más / adaptadores AC a DC para alimentar el RC 100B. Además, al alimentar el RC 100B con una fuente de alimentación USB-C PD de 100W o más, por favor utilice un cable de carga USB-C a USB-C que cumpla con la especificación PD 3.1. (La versión estándar incluye un cable de carga PD 3.1)

Tenga en cuenta que si la potencia de la fuente de alimentación USB-C es inferior a 100W, como una batería externa USB-C PD que proporciona solo 45W de potencia de salida, la salida de iluminación del RC 100B solo alcanzará alrededor del 45%. Además, debido a limitaciones en la salida máxima de diferentes marcas de baterías V-mount / NP-F, el uso de baterías por debajo de la especificación NP-F970 o de baterías V-mount por debajo de 98Wh puede causar un funcionamiento anormal del equipo / batería. El uso de dos baterías NP-F970 solo proporcionará aproximadamente el 60% de la salida máxima de iluminación para el RC 100B.

El RC 100B cuenta con una función de alerta de batería baja. Cuando se detecta que la alimentación de la batería externa está por debajo de 12V, se activará una alerta de batería baja. Por favor, reemplace la batería rápidamente o conéctese a otra fuente de alimentación.



Protección contra sobrecalentamiento:

1. Para asegurar el funcionamiento estable a largo plazo del RC 100B, se recomienda almacenar y usar este equipo de acuerdo con la temperatura, humedad y ambiente mencionados en la "Aviso Importante". El RC 100B cuenta con una función de protección incorporada contra sobrecalentamiento. Si la temperatura del chip COB supera el límite de 100 C / 212 F, el equipo activará el estado de protección por sobrecalentamiento.



2. Si la pantalla muestra "Error del sensor", indica un mal funcionamiento del sensor de temperatura en el dispositivo y el equipo dejará de funcionar. Por favor, contacte al distribuidor donde adquirió el dispositivo para reparaciones posteriores a la compra.



ES Parámetros del producto

Luz de video RC 100B COB LED

Consumo de energía (máx.)	100W	Modo de refrigeración	Refrigeración activa
CRI	96	TLCI	97
Temperatura de color	2700K - 6500K (\pm 200K)		
Entrada	Entrada USB-C: PD 3.1: 5V \rightarrow 3A, 9V \rightarrow 3A, 12V \rightarrow 3A, 15V \rightarrow 3A, 20V \rightarrow 5A, 28V \rightarrow 5A (máx. 140W) QC 2.0 / AFC / FCP: 5V \rightarrow 3A, 9V \rightarrow 2A, 12V \rightarrow 1.5A (máx. 18W) APPLE-2.4A: 5V \rightarrow 2.4A; Entrada Mini XLR: 24V \rightarrow 4.7A (máx. 110W) Entrada BP: 11V - 16.8V / 3.58 - 9.1A (máx.100W V mount / máx. 60W NP-F)		
Dimensiones	115.0 \times 95.0 \times 95.0mm / 4.5 \times 3.7 \times 3.7in		
Peso	700.0 \pm 20.0g / 24.7 \pm 0.7oz		

Hoja de datos de prueba de fuente de luz

Luz desnuda:

Temperatura de color (ajuste)	Temperatura de color real	Iluminación (Lux@1m)	CRI (Ra)	TLCI	Δ UV	SSI	TM-30	
							Rf	Rg
2700K	2669	3150	97	97	0.0051	90	95	96
3200K	3211	3630	98	98	-0.0015	91	97	102
5600K	5516	4610	97	99	-0.0006	85	96	103
6500K	6413	4240	97	99	0.0015	83	96	102

Con mini reflector:

Temperatura de color (ajuste)	Temperatura de color real	Iluminación (Lux@1m)	CRI (Ra)	TLCI	Δ UV	SSI	TM-30	
							Rf	Rg
2700K	2632	13500	97	97	0.0057	89	95	96
3200K	3143	15400	98	98	-0.0007	91	97	102
5600K	5630	20100	97	99	0.0006	86	96	102
6500K	6531	16300	96	99	0.0033	84	96	101

Importante Aviso

PT

Obrigado por escolher produto SmallRig's.

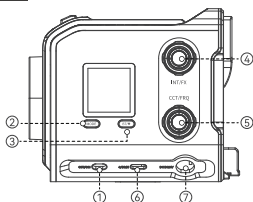
1. Antes de usar este produto, leia cuidadosamente o manual do usuário.
2. Esteja atento a todos os avisos e siga todas as instruções contidas no manual do usuário.
3. As crianças só devem operar este equipamento sob supervisão de um adulto. Por favor, não deixe o equipamento sem supervisão contínua.
4. Por favor, remova a cobertura de silicone na frente da placa do chip COB antes de usar.
5. Após o uso, a placa do chip COB, o topo e a parte inferior do equipamento ficarão extremamente quentes. Evite tocar nessas áreas até que o equipamento esfrie completamente. Para sua segurança, evite bloquear os orifícios de ventilação e não exponha diretamente seus olhos ao chip LED COB.
6. Se precisar usar um cabo de alimentação mais longo, certifique-se de que a marca de amperagem nominal no cabo de alimentação seja maior ou igual à amperagem nominal do equipamento.
7. Para evitar tropeçar no cabo de alimentação ou puxá-lo acidentalmente, o que pode fazer com que o equipamento perca energia, por favor, fixe adequadamente o cabo de alimentação após o uso. Além disso, tenha cuidado para não colocar o cabo de alimentação próximo a fontes de calor ou interfaces.
8. Certifique-se de que o equipamento tenha esfriado completamente antes de guardá-lo. Coloque-o no compartimento apropriado na bolsa de transporte.
9. Temperatura de operação: -10 a 45°C (14 a 113°F).
10. Temperatura/umidade de armazenamento de referência: $20^{\circ}\text{C} \pm 5^{\circ}\text{C}$ ($59-77^{\circ}\text{F}$) / $60 \pm 15\%$
11. Se precisar limpar a superfície deste equipamento, use um pano macio e seco para limpeza. Antes da limpeza e manutenção, certifique-se de desconectar o adaptador de energia e o cabo de conexão do corpo.
12. Para reduzir o risco de choque elétrico, é estritamente proibido imergir este equipamento em água ou outros líquidos.
13. Para reduzir o risco de choque elétrico, é estritamente proibido desmontar este equipamento sem autorização. Se o equipamento apresentar falhas e precisar de reparos, consulte o canal de compra relevante e entregue-o a pessoal de reparo profissional. Montagem e reparos não padrão podem causar riscos à segurança. O desmonte não autorizado é estritamente proibido e, uma vez verificado, a SmallRig considerará a garantia inválida.
14. O uso de acessórios não recomendados pela SmallRig pode causar riscos como incêndio ou choque elétrico. Consulte os acessórios fornecidos pela SmallRig ou use acessórios certificados de fabricantes qualificados com base nas especificações fornecidas pela SmallRig. Se for verificado que o uso de acessórios não conformes levou a mau funcionamento do equipamento, a SmallRig considerará a garantia inválida.
15. Se detectar qualquer dano no produto, pare de usá-lo imediatamente e contate o departamento de serviço pós-venda para reparo ou substituição.



Atenção:

- (1) Não toque no chip LED COB e na tampa de vidro da frente.
- (2) Para garantir o funcionamento do produto em sua capacidade total, é recomendado usar uma bateria V-port com uma potência de saída superior a 120W.

PT Visão geral do produto



- ① **Interruptor ON/OFF:** Após conectar à fonte de energia, gire o interruptor para "ON" e gire o botão INT uma vez para ligar o RC 100B; gire o interruptor para "OFF" para desligar. O sufixo do nome Bluetooth do dispositivo será exibido na parte inferior da interface branca de inicialização. A exibição na tela mudará conforme segue.



- ② **Botão de Modo:** Clicar neste botão alternará entre o modo de temperatura de cor (modo CCT) e o modo de efeitos especiais (modo FX). A exibição na tela mudará conforme segue.



- [2.1] No modo CCT/FX, pressione longamente o botão de modo por 2 segundos para armazenar os parâmetros atuais e entrar no modo PRESET. Gire o botão INT para selecionar os presets e clique para confirmar. Pressione longamente o botão por mais 2 segundos ou selecione o preset para sair. É possível armazenar até quatro conjuntos de parâmetros predefinidos. A exibição na tela mudará conforme segue.



- ③ **Botão de Controle Bluetooth/Mudo (BT):** Duplo clique neste botão para alternar entre os modos de funcionamento do RC 100B. Você pode observar o ícone no canto superior esquerdo para ver o modo de funcionamento do RC 100B.

Sem ícone: Modo normal, sem restrição de brilho;

Ícone vermelho de mudo: Modo silencioso, modo limitado de brilho a 20%;

Ícone branco de ventilador: Modo de baixo ruído do ventilador, modo limitado de brilho a 70%. A exibição na tela mudará conforme segue:



- ③.1] Após ligar, pressione longamente o botão de controle Bluetooth/Mudo para redefinir a conexão Bluetooth. O ícone Bluetooth piscará rapidamente. Você pode abrir o aplicativo SmallGoGo e configurar uma rede para o equipamento com base no sufixo Bluetooth exibido durante a inicialização. Se você ainda não baixou o SmallGoGo antes, por favor, escaneie o código QR abaixo para mais informações e para baixar, ou busque e baixe diretamente nas lojas de aplicativos como Google Play/App Store.



- ④ **Botão INT/FX (Intensidade/Efeito Especial):** No modo CCT, girar o botão no sentido horário/anti-horário aumenta/diminui a proporção de saída de brilho. Clicar no botão permite alternar rapidamente entre as proporções de saída de brilho de 33%/66%/100%.

- ④.1] No modo FX, clicar no botão INT/FX alterna o cursor do ajuste de brilho para o ajuste de efeito. A exibição na tela mudará conforme segue.



- ④.2] Girar o botão INT/ FX no sentido horário / anti-horário ajusta neste ponto a proporção de 9 efeitos de luz / brilho correspondente à área do cursor.

Paparazzi	Televisão	Lâmpada com defeito	Relâmpago	Respiração	Piscando	Festa	Chama	Fogos de artifício

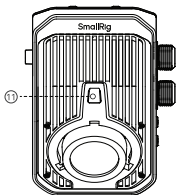
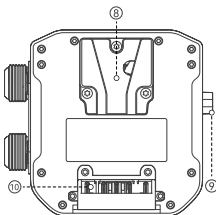
- ⑤ **Botão CCT/FRQ (Botão de Ajuste de Temperatura de Cor/Frequência):** No modo CCT, girar o botão no sentido horário/anti-horário aumenta/diminui o valor da temperatura de cor. Clicar no botão permite alternar rapidamente entre as temperaturas de cor de 3200K/4300K/5600K.

- 【5.1】No modo FX, clicar no botão CCT/FRQ alterna o cursor do ajuste de temperatura de cor para o ajuste de frequência. A exibição na tela mudará conforme segue.



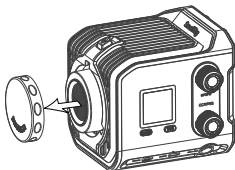
- 【5.2】No modo FX, girar o botão no sentido horário/anti-horário ajusta a temperatura de cor/frequência correspondente à área do cursor.

- ⑥ **Fonte de Alimentação USB-C e Interface DMX:** Você pode conectar uma fonte de energia USB-C, como um carregador PD de 140W, um grip de bateria, um banco de energia PD de 100W, etc., para fornecer uma solução móvel de alimentação para o RC 100B, entrada máxima de CC de 110W. Além disso, você pode conectar um adaptador USB-C para DMX para estabelecer uma conexão DMX com fio para o RC 100B.
- ⑦ **Interface de Entrada Mini XLR:** Você pode conectar um adaptador AC para DC (opcional) através desta porta para fornecer alimentação contínua através de uma tomada de parede para o RC 100B. Entrada máxima de CC de 110W.

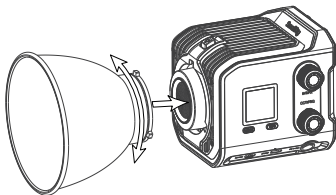


- ⑧ **Trava V-Mount:** Fornece funcionalidade de montagem para bateria V-Mount e placa de bateria NP-F.
- ⑨ **Botão de Liberação da Trava V-Mount:** Pressione uma vez para liberar a conexão da bateria V-Mount ou da placa de bateria NP-F.
- ⑩ **Interface de Entrada BP:** Você pode fornecer uma solução móvel de alimentação para o RC 100B através da bateria V-Mount ou da placa de bateria NP-F. Suporta entrada de bateria V-Mount de 125W / entrada de bateria NP-F de 60W.
- ⑪ **Botão de Liberação dos Mini Modificadores:** Pressione uma vez para liberar a conexão dos mini modificadores.

1. **Remoção ou inserção da Capa de Silicone:** Siga as setas para remover/insira a capa de silicone.

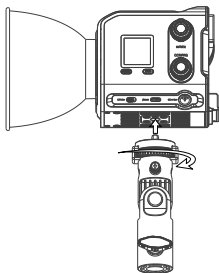


2. **Instalação e Remoção dos Modificadores Mini-Mount:** Tome o mini refletor como exemplo. Alinhe o mini refletor com a porta mini-mount na tampa frontal da luz. Gire no sentido anti-horário para instalar, Pressione o Botão de Liberação dos Mini Modificadores e gire o mini refletor no sentido horário para remover.



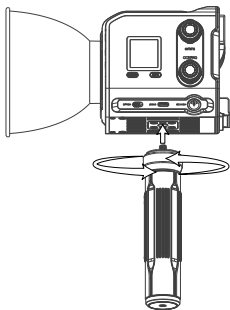
3. **Montagem da Luz em um Suporte de Luz:**

Primeiro, conecte o adaptador de suporte de luz ao RC 100B usando o furo roscado de 1/4" na parte inferior. Em seguida, instale o adaptador de suporte de luz no suporte de luz e ajuste o ângulo do RC 100B. Finalmente, aperte o bloqueio de inclinação no adaptador de suporte de luz para fixá-lo.



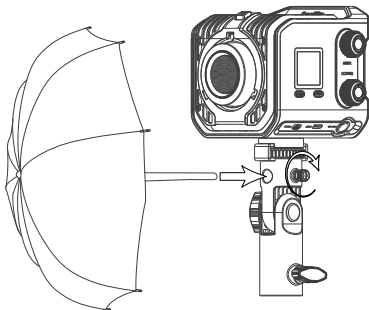
4. Montagem da Luz em uma Alça de Pega:

Gire a alça no sentido horário no RC 100B através do furo roscado de 1/4" na parte inferior do RC 100B.



5. Instalação de Guarda-Chuvas de Iluminação Fotográfica:

Insira o cabo dos guarda-chuvas de iluminação fotográfica no furo do guarda-chuva do adaptador de suporte de luz e aperte o parafuso na lateral para fixá-lo.



6. Métodos de Instalação Criativos:

O RC 100B pode ser conectado de forma flexível a acessórios como um braço mágico ou grampo através do furo roscado de 1/4" para realizar configurações de iluminação em locais onde é inconveniente usar um suporte de luz.

Fonte de Alimentação

PT

O RC 100B vem com interfaces BP/USB-C/mini XLR, permitindo conexão direta com baterias V-mount de 98Wh ou mais (a voltagem da bateria V-mount não deve exceder 35V)/ placa de bateria NP-F com baterias NP-F970/ grips de bateria para alimentação móvel, ou fonte contínua de alimentação de parede via carregadores PD/ adaptadores AC para DC (opcionais).

Para garantir o funcionamento pleno do equipamento, recomenda-se o uso de baterias V-mount de 98Wh ou mais/ fontes de alimentação USB-C PD de 100W ou mais / adaptadores AC para DC para alimentar o RC 100B. Além disso, ao alimentar o RC 100B com uma fonte de alimentação USB-C PD de 100W ou mais, utilize um cabo de carregamento USB-C para USB-C que esteja em conformidade com a especificação PD 3.1. (A versão padrão inclui um cabo de carregamento PD 3.1)

Observe que se a potência da fonte de alimentação USB-C for inferior a 100W, como um banco de energia USB-C PD que fornece apenas 45W de potência de saída, a saída de iluminação do RC 100B alcançará apenas cerca de 45%. Além disso, devido às limitações na saída máxima de diferentes marcas de baterias V-mount/ baterias NP-F, o uso de baterias abaixo da especificação NP-F970 ou baterias V-mount abaixo de 98Wh pode causar operação anormal do equipamento/bateria. O uso de duas baterias NP-F970 fornecerá apenas aproximadamente 60% da saída máxima de iluminação para o RC 100B.

O RC 100B possui uma função de alerta de bateria fraca. Quando a energia da bateria externa for detectada como inferior a 12V, um alerta de bateria fraca será acionado. Substitua prontamente a bateria ou conecte a outra fonte de alimentação.



Proteção contra superaquecimento:

1. Para garantir a operação estável a longo prazo do RC 100B, recomenda-se armazenar e utilizar este equipamento de acordo com a temperatura, umidade e ambiente mencionados no "Aviso Importante". O RC 100B possui uma função de proteção interna contra superaquecimento. Se a temperatura do chip COB exceder o limite de 100 C / 212 F, o equipamento entrará em estado de proteção contra superaquecimento.



2. Se a tela exibir "Erro do sensor", isso indica um mau funcionamento do sensor de temperatura no dispositivo, e o equipamento cessará a operação. Por favor, entre em contato com o revendedor onde você adquiriu o dispositivo para reparos pós-venda.



PT Especificações do Produto

Luz de vídeo RC 100B COB LED

Consumo de Energia (Máximo)	100W	Modo de Refrigeração	Refrigeração Ativa
CRI	96	TLCI	97
Temperatura de Cor	2700K - 6500K (\pm 200K)		
Entrada	Entrada USB-C: PD 3.1: 5V-3A, 9V-3A, 12V-3A, 15V-3A, 20V-5A, 28V-5A (Máximo 140W) QC 2.0 / AFC / FCP: 5V-3A, 9V-2A, 12V-1.5A (Máximo 18W) APPLE-2.4A: 5V-2.4A; Entrada Mini XLR: 24V-4.7A (Máximo 110W) Entrada BP: 11V - 16.8V / 3.58 - 9.1A (Máximo 100W V mount / Máximo 60W NP-F)		
Dimensões	115.0 x 95.0 x 95.0mm / 4.5 x 3.7 x 3.7in		
Peso	700.0 \pm 20.0g / 24.7 \pm 0.7oz		

Folha de Dados do Teste da Fonte de Luz

Luz sem Acabamento:

Temperatura de Cor (Configuração)	Temperatura real da cor	Iluminação (Lux@1m)	CRI (Ra)	TLCI	Δ UV	SSI	TM-30	
							Rf	Rg
2700K	2669	3150	97	97	0.0051	90	95	96
3200K	3211	3630	98	98	-0.0015	91	97	102
5600K	5516	4610	97	99	-0.0006	85	96	103
6500K	6413	4240	97	99	0.0015	83	96	102

Com Mini Refletor:

Temperatura de Cor (Configuração)	Temperatura real da cor	Iluminação (Lux@1m)	CRI (Ra)	TLCI	Δ UV	SSI	TM-30	
							Rf	Rg
2700K	2632	13500	97	97	0.0057	89	95	96
3200K	3143	15400	98	98	-0.0007	91	97	102
5600K	5630	20100	97	99	0.0006	86	96	102
6500K	6531	16300	96	99	0.0033	84	96	101

Belangrijke instructies

NL

Bedankt voor uw keuze voor SmallRig's-producten.

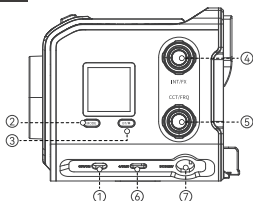
1. Lees deze gebruiksaanwijzing zorgvuldig door voordat u dit product gebruikt.
2. Let op alle waarschuwingen en volg alle instructies in de gebruiksaanwijzing.
3. Kinderen mogen dit apparaat alleen onder toezicht van een volwassene bedienen. Laat het apparaat niet onbeheerd achter zonder voortdurend toezicht.
4. Verwijder de siliconen hoes voor de COB-chip voordat u het apparaat gebruikt.
5. Na gebruik van het apparaat worden de COB-chip, de bovenkant en onderkant van het apparaat extreem heet. Raak deze gebieden niet aan totdat het apparaat is afgekoeld. Blokkeer de koelopeningen niet en vermijd directe blootstelling van uw ogen aan de COB LED-chip voor uw veiligheid en welzijn.
6. Als u een langere stroomkabel nodig heeft, zorg er dan voor dat het nominale ampèretoken op de stroomkabel groter is dan of gelijk is aan het nominale ampère op het apparaat.
7. Om struikelen over de stroomkabel of per ongeluk uittrekken te voorkomen, wat kan leiden tot stroomverlies, zorg ervoor dat u de stroomkabel na gebruik goed bevestigt. Wees ook voorzichtig en zorg ervoor dat u de stroomkabel niet in de buurt van warmtebronnen of interfaces plaatst.
8. Zorg ervoor dat het apparaat volledig is afgekoeld voordat u het opbergt. Plaats het in het geschikte compartiment van de draagtas.
9. Werktemperatuur: -10 tot 45 °C (14 tot 113 °F).
10. Referentie opslagtemperatuur/vochtigheid: 20°C ± 5°C (59-77°F) / 60 ± 15%.
11. Als u het oppervlak van dit apparaat moet reinigen, gebruik dan een droge, zachte doek. Voordat u gaat reinigen en onderhoud uitvoert, zorg ervoor dat u de voedingsadapter en de lichaamsaansluitkabel loskoppelt.
12. Om het risico op elektrische schokken te verminderen, is het ten strengste verboden dit apparaat onder te dompelen in water of andere vloeistoffen.
13. Om het risico op elektrische schokken te verminderen, is het ten strengste verboden dit apparaat zonder toestemming te demonteren. Als het apparaat defect raakt en reparatie vereist, raadpleeg dan het relevante aankoopkanaal en dien het in bij professioneel reparatiepersoneel. Niet-standaard assemblage en reparaties kunnen veiligheidsrisico's veroorzaken. Ongeoorloofde demontage is ten strengste verboden en, eenmaal geverifieerd, zal SmallRig overwegen de garantie ongeldig te verklaren.
14. Het gebruik van niet door SmallRig aanbevolen accessoires kan gevaren zoals brand of elektrische schokken veroorzaken. Raadpleeg de accessoires geleverd door SmallRig of gebruik gecertificeerde accessoires van gekwalificeerde fabrikanten op basis van de specificaties die door SmallRig zijn verstrekt. Als wordt vastgesteld dat het gebruik van niet-conforme accessoires leidt tot een storing van het apparaat, zal SmallRig overwegen de garantie ongeldig te verklaren.
15. Als enige schade aan het product wordt geconstateerd, stop onmiddellijk met het gebruiken en neem contact op met de klantenservice voor reparatie of vervanging.



Let op:

- (1) Raak de COB LED-chip en het voorste afdekglas niet aan.
- (2) Om ervoor te zorgen dat het product op volle kracht werkt, wordt het a anbevolen om een V-poort batterij met een uitvoerkracht van meer dan 120W te gebruiken.

NL Productoverzicht



- ① **AAN/UIT-schakelaar:** Nadat u bent aangesloten op de stroombron, draait u de schakelaar naar "ON" en draait u de INT-knop één rondje om de RC 100B in te schakelen; draai de schakelaar naar "OFF" om uit te schakelen. De Bluetooth-naamachtervoegsel van het apparaat wordt weergegeven onderaan het witte opstartscherm. Het scherm zal als volgt veranderen.



- ② **Modusknop:** Door op deze knop te klikken, schakelt u tussen de kleurtemperatuurmodus (CCT-modus) en de speciale effectenmodus (FX-modus). Het scherm zal als volgt veranderen.



- [2.1] In CCT/FX-modus, houd de modusknop 2 seconden ingedrukt om de huidige parameters op te slaan en naar de VOORKEURS modus te gaan. Draai aan de INT-knop om de voorkeuren te selecteren en klik om te bevestigen. Houd de knop opnieuw 2 seconden ingedrukt of selecteer de voorkeur om te verlaten. Tot vier sets voorkeursparameters kunnen worden opgeslagen. Het scherm zal als volgt veranderen.



- ③ **Bluetooth / Mute Control Button (BT):** Dubbelklik op deze knop om door de werkmodi van RC 100B te schakelen. U kunt het pictogram linksboven bekijken om de werkmodus van RC 100B te zien.

Geen pictogram: Normale modus, onbeperkte helderheid;

Rood dempingspictogram: Stille modus, 20% helderheidsbeperking;

Wit ventilatorpictogram: Lage ventilatorgeluidsmodus, 70% helderheidsbeperking.

Het scherm zal als volgt veranderen:



- [3.1] Na het inschakelen, houd de Bluetooth / Mute control knop lang ingedrukt om de Bluetooth verbinding te resetten.

Het Bluetooth pictogram zal snel knipperen. U kunt de SmallGoGo applicatie openen en een netwerk instellen

voor het apparaat op basis van het Bluetooth achtervoegsel dat wordt weergegeven tijdens het opstarten. Als u SmallGoGo nog niet heeft gedownload,

scan dan de QR-code hieronder voor meer informatie en

download de app, of zoek en download deze in app stores

zoals Google Play/App Store.



- ④ **INT/ FX Knop (Intensiteit/ Speciaal Effect Knop):** In CCT-modus, door de knop met de klok mee/ tegen de klok in te draaien, wordt de helderheidsoutput verhouding verhoogd/ verlaagd. Door op de knop te klikken kunt u snel schakelen tussen 33%/ 66%/ 100% helderheidsoutput verhoudingen.

- [4.1] In FX-modus schakelt het klikken op de INT/ FX knop de cursor van helderheidsaanpassing naar effectaanpassing. Het scherm zal als volgt veranderen.



- [4.2] Door de INT/ FX knop op dit punt met de klok mee / tegen de klok in te draaien, wordt de 9 x lichteffecten / helderheidsverhouding aangepast die overeenkomt met het cursorgebied.

Paparazzi	Televisie	Defecte lamp	Bliksem	Ademhaling	Flikkerend	Feest	Vlam	Vuurwerk

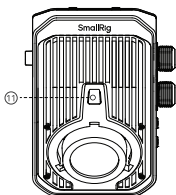
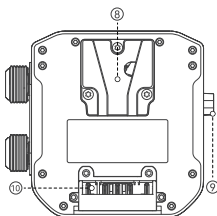
- ⑤ **CCT/ FRQ Knop (Kleurtemperatuur / Frequentie Aanpassingsknop):** In CCT-modus, door de knop met de klok mee / tegen de klok in te draaien, wordt de kleurtemperatuurwaarde verhoogd/verlaagd. Door op de knop te klikken kunt u snel schakelen tussen kleurtemperaturen van 3200K/ 4300K/ 5600K.

- 【5.1】 In FX-modus schakelt het klikken op de CCT/ FRQ knop de cursor van kleurtemperatuuraanpassing naar frequentieaanpassing. Het scherm zal als volgt veranderen.



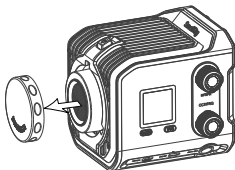
- 【5.2】 In FX-modus schakelt het klikken op de CCT/ FRQ knop de cursor van kleurtemperatuuraanpassing naar frequentieaanpassing. Het scherm zal als volgt veranderen.

- ⑥ **USB-C Voeding en DMX Interface:** U kunt een USB-C stroombron zoals een 140W PD-oplader, batterijgrip, 100W PD powerbank, enz. aansluiten om een mobiele stroomoplossing te bieden voor de RC 100B, Max 110W DC-ingang. Bovendien kunt u een USB-C naar DMX-adapter aansluiten om een bekabelde DMX-verbinding voor de RC 100B tot stand te brengen.
- ⑦ **Mini XLR Ingang Interface:** U kunt via deze poort een AC naar DC-adapter (optioneel) aansluiten om continue stroomvoorziening vanuit het stopcontact te bieden voor de RC 100B, Max 110W DC-ingang.

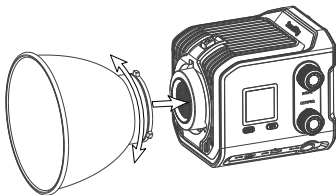


- ⑧ **V-Mount Vergrendeling:** Biedt functionaliteit voor het monteren van V-Mount batterijen en NP-F batterijplaten.
- ⑨ **V-Mount Vergrendel Ontgrendelknop:** Druk eenmaal om de verbinding van de V-Mount batterij of NP-F batterijplaat los te maken.
- ⑩ **BP Ingang Interface:** U kunt een mobiele stroomoplossing bieden voor de RC 100B via de V-Mount batterij of NP-F batterijplaat. Het ondersteunt 125W V-Mount batterij ingang / 60W NP-F batterij ingang.
- ⑪ **Mini modifiers Ontgrendelknop:** Druk eenmaal om de verbinding van de mini modifiers los te maken.

1. **Verwijderen of invoegen van Siliconen Hoes:** Volg de pijlen om de siliconen hoes te verwijderen / in te voegen.

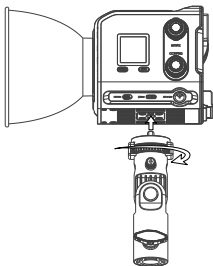


2. **Installatie en Verwijdering van Mini-Mount Modifiers:** Neem de mini-reflector als voorbeeld. Richt de mini-mount reflector uit met de mini-mount poort op de voorkant van het licht. Draai tegen de klok in om te installeren. Druk op de Mini modifiers Ontgrendelknop en draai de mini-reflector met de klok mee om te verwijderen.



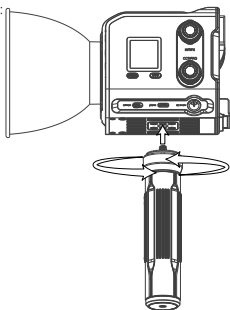
3. **Bevestigen van het Licht aan een Lichtstatief:**

Verbind eerst de lichtstatief adapter met de RC 100B via het 1/4" schroefgat aan de onderkant. Installeer vervolgens de lichtstatief adapter op het lichtstatief en pas de hoek van de RC 100B aan. Draai ten slotte de kantelvergrendeling op de lichtstatief adapter aan om deze te beveiligen.

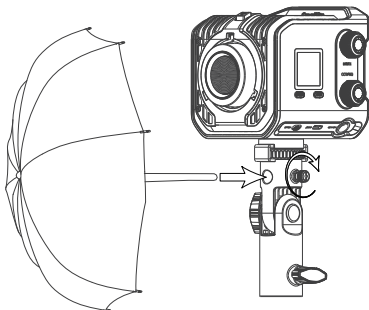


4. Bevestigen van het Licht aan een Handgreep:

Draai de handgreep met de klok mee op de RC 100B via het 1/4" schroefgat aan de onderkant van de RC 100B.



5. Installatie van Fotografische Verlichtingsparaplu's: Steek de handgreep van de fotografische verlichtingsparaplu's in het paraplu gat van de lichtstatief adapter en draai de knop aan de zijkant aan om deze te beveiligen.



6. Creatieve Installatiemethoden: De RC 100B kan flexibel worden aangesloten op accessoires zoals een magische arm of klem via het 1/4" schroefgat om verlichtingsopstellingen te realiseren op plaatsen waar het onhandig is om een lichtstatief te gebruiken.

De RC 100B wordt geleverd met BP-interface / USB-C-interface / mini XLR-interface, waardoor directe verbinding mogelijk is met V-mount-batterijen / NP-F batterijplaat met NP-F970-batterijen/ batterijgrepen voor mobiele stroomvoorziening, of continue voeding via een stopcontact via PD-laders / AC-naar-DC-adapters (optioneel).

Om ervoor te zorgen dat het apparaat volledig vermogen levert, wordt aanbevolen dat gebruikers V-mount-batterijen van 98Wh of hoger gebruiken (de spanning van V-mount-batterijen mag niet hoger zijn dan 35V)/ USB-C PD-voedingen van 100W of meer/ AC-naar-DC-adapters om de RC 100B van stroom te voorzien. Bovendien, bij gebruik van een USB-C PD-voeding van 100W of meer, gebruik een USB-C naar USB-C laadkabel die voldoet aan de PD 3.1 specificatie. (De standaardversie bevat een PD 3.1 laadkabel)

Let op: als de voeding van de USB-C-voeding minder dan 100W is, zoals een USB-C PD-powerbank die slechts 45W levert, zal de verlichtingsoutput van de RC 100B slechts ongeveer 45% bereiken. Verder kan door beperkingen in de piekoutput van verschillende merken V-mount-batterijen/ NP-F-batterijen, het gebruik van batterijen onder de specificatie NP-F970 of V-mount-batterijen onder 98Wh abnormale werking van het apparaat / de batterij veroorzaken. Het gebruik van twee NP-F970-batterijen levert slechts ongeveer 60% van de maximale verlichtingsoutput voor de RC 100B op.

De RC 100B beschikt over een waarschuwing voor een lege batterij. Wanneer de externe batterijvoeding wordt gedetecteerd onder 12V, wordt een waarschuwing voor een lege batterij geactiveerd. Vervang de batterij tijdig of sluit aan op een andere voedingsbron.



Oververhittingsbeveiliging:

1. Om de langdurige stabiele werking van de RC 100B te waarborgen, wordt aanbevolen om dit apparaat op te slaan en te gebruiken volgens de temperatuur, vochtigheid en omgeving zoals vermeld in de "Belangrijke Aanwijzingen". De RC 100B is uitgerust met een ingebouwde oververhittingsbeveiligingsfunctie. Als de temperatuur van de COB-chip de limiet van 100°C / 212°F overschrijdt, zal het apparaat de status van oververhittingsbeveiliging activeren.



2. Als het scherm "Sensorfout" weergeeft, duidt dit op een storing van de temperatuursensor in het apparaat en zal de apparatuur stoppen met werken. Neem alstublieft contact op met de dealer waar u het apparaat hebt gekocht voor reparaties na aankoop.



NL Productparameters

RC 100B COB LED Videolicht

Vermogensverbruik (Max)	100W	Koelmodus	Actieve Koeling
CRI	96	TLCI	97
Kleurtemperatuur	2700K - 6500K (\pm 200K)		
Ingang	USB-C Ingang: PD 3.1: 5V-3A, 9V-3A, 12V-3A, 15V-3A, 20V-5A, 28V-5A (Max 140W) QC 2.0 / AFC / FCP: 5V-3A, 9V-2A, 12V-1.5A (Max 18W) APPLE-2.4A: 5V-2.4A; Mini XLR Ingang: 24V-4.7A (Max 110W) BP Ingang: 11V - 16.8V / 3.58 - 9.1A (Max 100W V mount / Max 60W NP-F)		
Afmetingen	115.0 x 95.0 x 95.0mm / 4.5 x 3.7 x 3.7in		
Gewicht	700.0 \pm 20.0g / 24.7 \pm 0.7oz		

Lichtbron Test Gegevensblad

Bare Light:

Kleurtemperatuur (Instelling)	Daadwerkelijke kleurtemperatuur	Verlichting (Lux@1m)	CRI (Ra)	TLCI	Δ UV	SSI	TM-30	
							Rf	Rg
2700K	2669	3150	97	97	0.0051	90	95	96
3200K	3211	3630	98	98	-0.0015	91	97	102
5600K	5516	4610	97	99	-0.0006	85	96	103
6500K	6413	4240	97	99	0.0015	83	96	102

Met mini Reflector:

Kleurtemperatuur (Instelling)	Daadwerkelijke kleurtemperatuur	Verlichting (Lux@1m)	CRI (Ra)	TLCI	Δ UV	SSI	TM-30	
							Rf	Rg
2700K	2632	13500	97	97	0.0057	89	95	96
3200K	3143	15400	98	98	-0.0007	91	97	102
5600K	5630	20100	97	99	0.0006	86	96	102
6500K	6531	16300	96	99	0.0033	84	96	101

Tack för att du väljer SmallRig's-produkter.

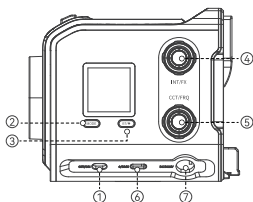
1. Läs denna bruksanvisning noggrant innan du använder produkten.
2. Var uppmärksam på varningstexterna och följ alla instruktioner i bruksanvisningen.
3. Barn ska endast använda denna utrustning under vuxen övervakning. Lämna inte utrustningen utan kontinuerlig tillsyn.
4. Ta bort silikonhöljet framför COB-chipet innan användning.
5. Efter användning blir COB-chipet, toppen och botten av utrustningen mycket varma. Undvik att röra dessa områden tills utrustningen har svalnat. För din säkerhet, blockera inte kylhålen och undvik att direkt exponera dina ögon för COB-LED-chippet.
6. Om du behöver använda en längre strömkabel, se till att den nominella strömmärkningen på strömkabeln är lika med eller större än den nominella strömmärkningen på utrustningen.
7. För att undvika att snubbla över strömkabeln eller dra den av misstag, vilket kan orsaka att utrustningen förlorar ström, se till att säkra strömkabeln ordentligt efter användning. Var också försiktig och se till att inte placera strömkabeln nära värmekällor eller gränssnitt.
8. Se till att utrustningen har svalnat helt innan den förvaras. Placera den i rätt fack i bärväskan.
9. Arbetstemperatur: $-10\sim 45^{\circ}\text{C}$ ($14\sim 113^{\circ}\text{F}$).
10. Referenslagringstemperatur / fuktighet: $20^{\circ}\text{C} \pm 5^{\circ}\text{C}$ ($59\sim 77^{\circ}\text{F}$) / $60 \pm 15\%$.
11. Om du behöver rengöra ytan på denna utrustning, använd en torr, mjuk trasa för rengöring. Innan du rengör och utför underhåll, se till att koppla bort nätdelen och kropsanslutningskabel.
12. För att minska risken för elektrisk stöt är det strängt förbjudet att nedsänka denna utrustning i vatten eller andra vätskor.
13. För att minska risken för elektrisk stöt är det strängt förbjudet att demontera denna utrustning utan tillstånd. Om utrustningen fungerar felaktigt och behöver repareras, kontakta relevanta inköpskanaler och överlämna den till professionell reparationspersonal. Icke-standardiserad montering och reparationer kan orsaka säkerhetsrisker. Obehörig demontering är strängt förbjuden och, när verifierad, kommer SmallRig att betrakta garantin som ogiltig.
14. Användning av icke SmallRig-rekommenderade tillbehör kan leda till faror som brand eller elektrisk stöt. Se till att använda tillbehör som tillhandahålls av SmallRig eller certifierade tillbehör från kvalificerade tillverkare baserat på specifikationerna som tillhandahålls av SmallRig. Om det verifieras att användningen av icke-kompatibla tillbehör leder till att utrustningen fungerar felaktigt kommer SmallRig att betrakta garantin som ogiltig.
15. Om någon skada på produkten upptäckts, sluta omedelbart att använda det och kontakta kundtjänst för reparation eller ersättning.



Obs:

- (1) Rör inte COB-LED-chippet och frontlocksglasat.
- (2) För att säkerställa att produktet fungerar med full kraft, rekommenderas att använda en V-port batteri med en utgångskraft på över 120W.

SE Produktöversikt



- ① **ON/ OFF Switch:** Efter att ha anslutit till strömkällan, vrid strömbrytaren till "ON" och vrid INT-knappen ett varv för att starta RC 100B; vrid strömbrytaren till "OFF" för att stänga av. Bluetooth-namnet suffixet för utrustningen visas längst ner på den vita startskärmen. Skärmen visar följande ändringar.



- ② **Mode Button:** Genom att klicka på denna knapp kommer du att växla mellan färgtemperurläge (CCT-läge) och specialeffektläge (FX-läge). Skärmen visar följande ändringar.



- [2.1] I CCT/FX-läget, långtryck på modeknappen i 2 sekunder för att spara aktuella parametrar och gå in i FÖRHANDSINSTÄLLNINGSLÄGET. Vrid INT-knappen för att välja förinställningarna och klicka för att bekräfta. Långtryck på knappen i 2 sekunder igen eller välj förinställningen för att avsluta. Upp till fyra uppsättningar förinställda parametrar kan sparas. Skärmen visar följande ändringar.



- ③ **Bluetooth / Mute Control Button (BT):** Dubbelklicka på denna knapp för att växla mellan arbetslägena för RC 100B. Du kan observera ikonen längst upp till vänster för att se RC 100Bs arbetsläge.

Ingen ikon: Normalt läge, obegränsad ljusstyrka;

Röd tyst ikon: Tyst läge, begränsad ljusstyrka på 20%;

Vit fläktikon: Läge med låg fläktljud, begränsad ljusstyrka på 70%;

Skärmen visar följande ändringar:



- [3.1] Efter att du har slagit på enheten, långtryck på Bluetooth-/Tystkontrollknappen för att återställa Bluetooth-anslutningen. Bluetooth-ikonen kommer att blinka snabbt. Du kan öppna SmallGoGo-applikationen och ställa in ett nätverk för enheten baserat på Bluetooth-suffixet som visas under uppstarten. Om du inte har laddat ner SmallGoGo tidigare, skanna QR-koden nedan för mer information och nedladdning, eller sök och ladda ner den från appbutiker som Google Play/App Store.



- ④ **INT/ FX Knob (Intensitets-/ Special Effekt-knopp):** I CCT-läge roterar du knoppen medurs/moturs för att öka/minska ljusstyrkeutgångsförhållandet. Genom att klicka på knoppen kan du snabbt växla mellan ljusstyrkeutgångsförhållandena 33% / 66% / 100%.

- [4.1] I FX-läge växlar klicka på INT/ FX-knappen cursorn från ljusstyrkejustering till effektjustering. Skärmen visar följande ändringar.



- [4.2] Genom att rotera INT/ FX-knappen medurs/moturs justerar du nu 9 x ljuseffekter/ ljusstyrkeförhållandet som motsvarar cursorn området.

Paparazzi	Television	Defekt glödlampa	Blixt	Andning	Flimrande	Fest	Låga	Fyrverkerier

- ⑤ **CCT/ FRQ Knob (Färgtemperatur/ Frekvensjusteringsknopp):** I CCT-läge roterar du knoppen medurs/moturs för att öka/minska färgtemperaturvärdet. Genom att klicka på knoppen kan du snabbt växla mellan färgtemperaturerna 3200K / 4300K / 5600K.

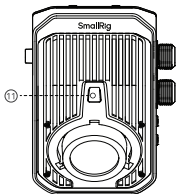
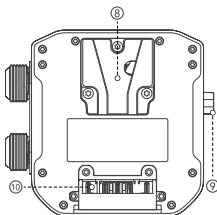
- 【5.1】 I FX-läge växlar klicka på CCT/ FRQ-knappen cursorn från färgtemperaturjustering till frekvensjustering. Skärmen visar följande ändringar.



- 【5.2】 I FX-läge, justerar du genom att rotera knappen medurs/moturs färgtemperaturen / frekvensen som motsvarar cursorn området.

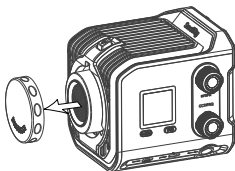
- ⑥ **USB-C strömförsörjning och DMX-gränssnitt:** Du kan ansluta en USB-C strömkälla som en 140W PD-laddare, batterigrepp, 100W PD-powerbank osv., för att tillhandahålla en mobil strömförsörjningslösning för RC 100B. Max 110W DC-ingång. Dessutom kan du ansluta en USB-C till DMX-adapter för att etablera en trådbunden DMX-anslutning för RC 100B.

- ⑦ **Mini XLR-ingångsgrenssnitt:** Du kan ansluta en AC till DC-adapter (valfri) via denna port för att tillhandahålla kontinuerlig vägguttagströmförsörjning för RC 100B. Max 110W DC-ingång.

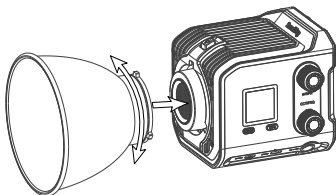


- ⑧ **V-Mount-lås:** Ger funktionalitet för montering av V-Mount-batteri och NP-F-batteriplatta.
- ⑨ **V-Mount-låsavläsningsknapp:** Tryck en gång för att frigöra anslutningen av V-Mount-batteriet eller NP-F-batteriplattan.
- ⑩ **BP-ingångsgrenssnitt:** Du kan tillhandahålla en mobil strömförsörjningslösning för RC 100B genom V-Mount-batteriet eller NP-F-batteriplattan. Det stöder 125W V-Mount-batteriingång / 60W NP-F-batteriingång.
- ⑪ **Knapp för frigörande av mini-modifierare:** Tryck en gång för att frigöra anslutningen av mini-modifierarna.

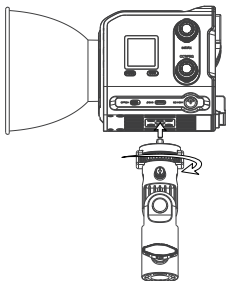
1. Ta bort eller sätt i silikonhöljet: Följ pilarna för att ta bort / sätta i silikonhöljet.



2. Installation och borttagning av Mini-Mount-modifierare: Ta mini-reflektorn som ett exempel. Aligna mini-mount-reflektorn med mini-mount-porten på frontskyddet för ljuset. Vrid moturs för att installera. Tryck på Mini modifiers Release Button och vrid mini-reflektorn medurs för att ta bort den.

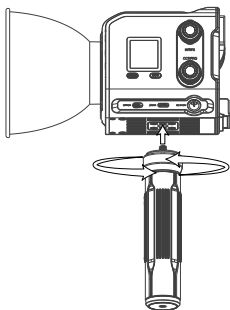


3. Montering av ljuset på en ljusstativ: Först, anslut ljusstadsadaptorna till RC 100B med hjälp av den 1/4-tums gängade hålet på undersidan. Installera sedan ljusstadsadaptorna på ljusstativet och justera vinkeln på RC 100B. Dra åt tillläset på ljusstadsadaptorna för att säkra det.

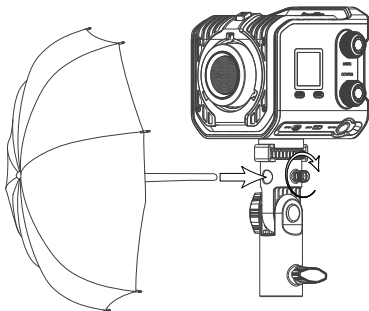


4. Montering av ljuset på ett handtag:

Vrid handtaget medurs på RC 100B via det 1/4-tums gängade hålet på botten av RC 100B.



5. Installation av fotografiska ljusparaplyer: Sätt in handtaget på de fotografiska ljusparaplyerna i paraplyhålet på ljusstadsadapterna och dra åt knoppen på sidan för att säkra den.



6. Kreativa installationsmetoder: RC 100B kan flexibelt anslutas till tillbehör som en magisk arm eller klämma via det 1/4-tums gängade hålet för att uppnå ljusinställningar på platser där det är opraktiskt att använda ett ljusstativ.

Strömförsörjning

SE

RC 100B levereras med BP-gränssnitt / USB-C-gränssnitt / mini XLR-gränssnitt, vilket möjliggör direkt anslutning till V-mount-batterier/ NP-F-batteriplatta med NP-F970-batterier / batterigrepp för mobil strömförsörjning eller kontinuerlig strömförsörjning via vägguttag med PD-laddare / AC till DC-adaptrar (valfritt).

För att säkerställa full effekt av utrustningen rekommenderas användare att använda V-mount-batterier på 98Wh eller mer (V-mount-batterispänning bör inte överstiga 35V) / USB-C PD-strömförsörjningar på 100W eller mer/ AC till DC-adaptrar för att driva RC 100B. Dessutom, när RC 100B drivs med en USB-C PD-strömförsörjning på 100W eller mer, använd en USB-C till USB-C-laddningskabel som överensstämmer med PD 3,1-specifikationen, (Standardversionen inkluderar en PD 3,1-laddningskabel)

Observera att om strömmen från USB-C-strömförsörjningen är mindre än 100W, som en USB-C PD-powerbank som endast levererar 45W utström, kommer belysningseffekten hos RC 100B bara att nå cirka 45%. Vidare kan användning av batterier med lägre kapacitet än NP-F970-specifikationen eller V-mount-batterier under 98Wh från olika tillverkare leda till onormal drift av utrustningen/batteriet. Att använda två NP-F970-batterier ger endast cirka 60% av den maximala belysningseffekten för RC 100B.

RC 100B har en funktion för låg batteriindikation. När extern batteriström detekteras vara under 12V kommer en låg batteriindikation att utlösas. Vänligen byt batteri snarast eller anslut till en annan strömkälla.



Överhettningsskydd:

1. För att säkerställa långvarig stabil drift av RC 100B rekommenderas det att lagra och använda utrustningen enligt temperatur, luftfuktighet och miljö som nämns i "Viktig Prompt". RC 100B har en inbyggd funktion för överhettningsskydd. Om temperaturen på COB-chippen överstiger begränsningen på 100 C / 212 F, kommer utrustningen att aktivera överhettningsskyddsstatus.



2. Om skärmen visar "Sensorfel" indikerar det en funktionsfel hos temperatursensorn i enheten, och utrustningen kommer att sluta fungera. Vänligen kontakta återförsäljaren där du köpte enheten för reparation efter köpet.



SE Produktparametrar

RC 100B COB LED Videoljus

Strömförbrukning (Max)	100W	Kylläge	Aktiv kylning
CRI	96	TLCI	97
Färgtemperatur	2700K - 6500K (\pm 200K)		
Ingång	USB-C ingång: PD 3.1: 5V-3A, 9V-3A, 12V-3A, 15V-3A, 20V-5A, 28V-5A (Max 140W) QC 2.0 / AFC / FCP: 5V-3A, 9V-2A, 12V-1.5A (Max 18W) APPLE-2.4A: 5V-2.4A; Mini XLR-ingång: 24V-4.7A (Max 110W) BP-ingång: 11V - 16.8V / 3.58 - 9.1A (Max 100W V mount / Max 60W NP-F)		
Dimensioner	115.0 \times 95.0 \times 95.0mm / 4.5 \times 3.7 \times 3.7in		
Vikt	700.0 \pm 20.0g / 24.7 \pm 0.7oz		

Ljuskälla Testdata-blad

Bara ljus:

Färgtemperatur (Inställning)	Faktisk färgtemperatur	Belysning (Lux@1m)	CRI (Ra)	TLCI	Δ UV	SSI	TM-30	
							Rf	Rg
2700K	2669	3150	97	97	0.0051	90	95	96
3200K	3211	3630	98	98	-0.0015	91	97	102
5600K	5516	4610	97	99	-0.0006	85	96	103
6500K	6413	4240	97	99	0.0015	83	96	102

Med mini-reflektor:

Färgtemperatur (Inställning)	Faktisk färgtemperatur	Belysning (Lux@1m)	CRI (Ra)	TLCI	Δ UV	SSI	TM-30	
							Rf	Rg
2700K	2632	13500	97	97	0.0057	89	95	96
3200K	3143	15400	98	98	-0.0007	91	97	102
5600K	5630	20100	97	99	0.0006	86	96	102
6500K	6531	16300	96	99	0.0033	84	96	101

Important Reminder

EN

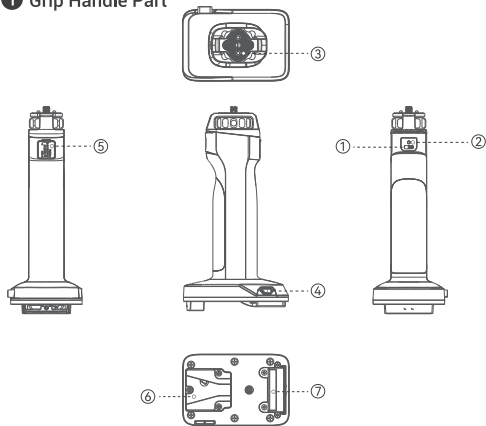
1. Please read this manual carefully before using this product.
2. Please pay attention to all warning prompts and follow all instructions in the user manual.
3. The battery's state of charge (SoC) is $\leq 30\%$ of the rated design capacity at the time of leaving the factory.
4. Built-in non-removable lithium battery, unauthorized disassembly is strictly prohibited; external lithium battery, no disassembly is allowed.
5. After prolonged storage without use, it is recommended to charge and discharge the battery once every 6 months for maintenance to restore about 60% of the charged capacity, thus extending the battery's lifespan.
6. Please do not throw away the product wilfully as its battery contains a few harmful substances. Please recycle the damaged or unused products in accordance with the waste management measures.
7. Children should use it under adult guidance.
8. Charging temperature: 0°C to 45°C (32°F to 113°F)
9. Discharging temperature: -10°C to 45°C (14°F to 113°F)
10. When powering other devices, do not exceed the maximum allowable power of the battery.



Please refrain from disassembling the product or the battery. If there's any problem with the product, please contact the purchase platform for after-sales assistance.

EN Product Details

① Grip Handle Part



① USB-C Output Port:

Can provide up to 100W USB-C PD power supply (charging cable must support PD 3.0 or above)

② White LED Indicator:

Indicator stays on while working. Indicator flashes to indicate low battery.

③ 1/4" Screw with ARRI Locating Pin:

The screw can be used to connect gears with 1/4" female thread like RC 60 / RC 100.

④ V-Mount Lock Release Button:

Press once to release the connection of the V-Mount battery.

⑤ D- Tap Output Port:

Can provide up to 168W DC power supply (requires D-TAP charging cable to support 10A current, and the maximum output depends on the discharge capacity of the V-mount battery)

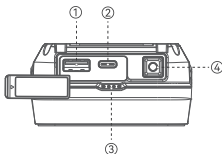
⑥ V-Mount Lock:

To attach V-mount batteries.

⑦ BP Input Port:

You can connect or other V-mount batteries to provide power input for SH01 charging grip handle.

2 V-mount Battery Part



① USB-A Output Port:

Can provide up to 18W USB-A QC power supply (charging cable must support QC 2.0 specification or above)

② USB-C Input / Output Port:

Can provide up to 45W USB-C PD power supply (charging cable must support PD2.0 specification or above)

③ Blue LED indicator:

1 LED stay on: 25% remaining power; 2 LED stay on: 50% remaining power

3 LED stay on: 75% remaining power; 4 LED stay on: 100% powered.

④ Power Button:

Click to activate the blue LED indicator to quickly check the remaining battery juice. If there is not working for 7 seconds after clicking, the blue light turns off.

Power Supply

- The SH73 grip handle-designed power bank includes a USB-C output and a D-TAP output, enabling connection to RC 60B / RC 100B and other COB LED lights or gears supporting USB-C PD / DC power supply . The SH73 is perfect for on-the-go shooting and versatile power supply. It supports up to 100W via USB-C and up to 168W via DC.
- For optimal product performance, connect a V-mount battery with 12-16.8V range, 98Wh or higher capacity, and over 100W discharge capability. Using a V-mount battery below these specifications will limit the product's output power.
- When using the USB-C port, connect a V-mount battery and the provided USB-C to USB-C charging cable (PD3.0) for full 100W PD output. For D-TAP operation, you need to purchase a D-TAP to DC charging cable (requiring 10A current output standard) separately.
- The BP port of the V-mount battery and D-TAP port of the grip handle offer a dynamic output range of 120W-168W. If the battery overheats or experiences over-current (current larger than 10A) due to high ambient temperature ($65^{\circ}\text{C} \pm 2^{\circ}\text{C} / 149^{\circ}\text{F} \pm 35.6^{\circ}\text{F}$) or long used time , let it rest to reset the over-current protection before resuming use. This precaution also applies to other V-mount battery brands.

EN Specifications

SH73 Grip Handle Designed Powerbank (73Wh)

(Product Model: SH73)

① Grip Handle Part

BP Rated Input	16.8V $\overline{\sim}$ 10A (Max 168W)
BP Input Range	12-16.8V $\overline{\sim}$ 10A (Max 168W)
D-TAP Rated Output	16.8V $\overline{\sim}$ 10A (Max 168W)
D-TAP Output Range	12-16.8V $\overline{\sim}$ 10A (Max 168W)
USB-C Output	20V $\overline{\sim}$ 5A / 20V $\overline{\sim}$ 3.25A / 15V $\overline{\sim}$ 3A 12V $\overline{\sim}$ 3A / 9V $\overline{\sim}$ 3A / 5V $\overline{\sim}$ 3A (Max 100W)

② V-mount Battery Part

BP Rated Input	16.8V $\overline{\sim}$ 5A (Max 84W)
BP Input Range	12-16.8V $\overline{\sim}$ 5A (Max 84W)
BP Rated Output	16.8V $\overline{\sim}$ 10A (Max 168W)
BP Output Range	12-16.8V $\overline{\sim}$ 10A (Max 168W)
USB-C1 Input / Output	5V $\overline{\sim}$ 3A / 9V $\overline{\sim}$ 3A / 12V $\overline{\sim}$ 3A / 15V $\overline{\sim}$ 3A / 20V $\overline{\sim}$ 2.25A
USB-C2 Output	20V $\overline{\sim}$ 5A / 20V $\overline{\sim}$ 3.25A / 15V $\overline{\sim}$ 3A 12V $\overline{\sim}$ 3A / 9V $\overline{\sim}$ 3A / 5V $\overline{\sim}$ 3A (Max 100W)
USB-A Output	5V $\overline{\sim}$ 2.4A / 9V $\overline{\sim}$ 2A / 12V $\overline{\sim}$ 1.5A
Multi-Port Output	45W
Battery Capacity	14.6V / 5000mAh / 73Wh

Warning:

- * Do not disassemble, impact, squeeze or throw into fire.
- * Do not continue to use if severe swelling occurs.
- * Do not place in high temperature, humid or corrosive environment.
- * Do not use after the battery is immersed in water.

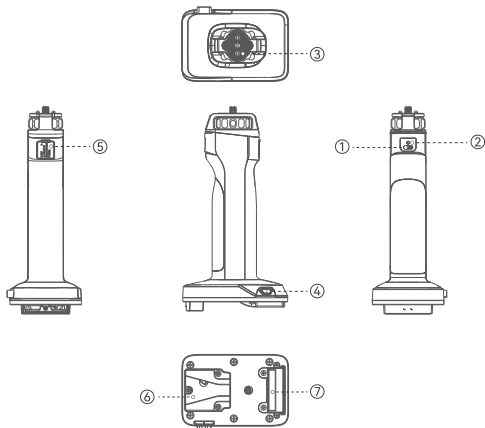
1. 使用本产品之前，请仔细阅读用户手册。
2. 请注意所有警告提示并遵循使用用户手册内的所有指令。
3. 电池在出厂时的荷电量 (SoC) $\leq 30\%$ 额定设计容量。
4. 内置式不可拆卸锂电池，严禁擅自拆机；外置式锂电池，请勿拆解电池。
5. 电池在长时间储存不用时，应在6个月内进行一次充放电维护，并恢复60%左右的带电量以延长电池的使用寿命。
6. 电池内部有少许有害物质，请勿任意丢弃，请将损坏或是不再使用的产品，依照废弃物管理办法回收处理。
7. 儿童请在成人指导下使用。
8. 充电环境温度： $0^{\circ}\text{C} \sim 45^{\circ}\text{C}$ ($32^{\circ}\text{F} \sim 113^{\circ}\text{F}$)
9. 放电环境温度： $-10^{\circ}\text{C} \sim 45^{\circ}\text{C}$ ($14^{\circ}\text{F} \sim 113^{\circ}\text{F}$)
10. 给其他设备供电时，请勿超过电池的允许的最大功率。



请勿拆卸产品或拆解电池，如果您怀疑产品有任何问题，请联络购买平台，申请售后处理。

CN 产品介绍

① 手柄部分



① USB-C 输出接口:

可提供最高100W USB-C PD供电 (要求充电线支持PD 3.0规格或以上)

② 白色LED工作指示灯:

接通电源工作时常亮, 低电时闪烁。

③ 1/4" 螺纹接口, 带阿莱定位:

通过该接口连接带1/4" 螺纹母口的设备, 如RC 60 / RC 100。

④ V口挂板释放按键:

单击可解除V口电池连接。

⑤ D-Tap 输出接口:

可提供最高168W DC供电

(要求D-TAP充电线支持10A电流, 且最高供电功率取决于V口电池放电能力)

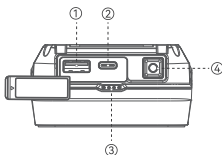
⑥ V口挂板母座:

提供V口电池安装功能。

⑦ BP输入接口:

可接入自带的或者其他V口电池, 为SH01供电手柄提供电源输入。

② V口电池部分



① USB-A 输出接口:

可提供最高18W USB-A QC供电 (要求充电线支持QC 2.0规格或以上)

② USB-C 输入 / 输出接口:

可提供最高45W USB-C PD供电 (要求充电线支持PD2.0规格或以上)

③ 蓝色LED工作指示灯:

包含四颗蓝色LED灯珠

1颗灯珠常亮: 25%剩余电量

2颗灯珠常亮: 50%剩余电量

3颗灯珠常亮: 75%剩余电量

4颗灯珠常亮: 100%剩余电量

④ 电源按键:

单击激活蓝色LED工作指示灯, 可快速查看电池剩余电量。单击后7s 无负载接入, 蓝灯熄灭。

供电

- SH73 手柄式移动电源包含 USB-C输出接口 / D-TAP输出接口, 可以直连RC 60B / RC 100B 以及其他支持 USB-C PD / DC供电的灯具 / 其他设备进行移动手持补充+换弹式供电。支持最高100W的USB-C供电以及最高168W的DC供电。
- 为保证产品全功率运作, 建议接入电压范围为12-16.8V 的V口电池, 容量98Wh 或以上, 且V口电池的放电能力大于100W, 若接入V口电池不符合上述要求, 会限制产品的峰值功率输出。
- 使用USB-C口对设备进行供电时, SH73包含的V口电池 + USB-C to USB-C充电线(PD3.0规格)支持满功率100W PD输出; 使用D-TAP口对设备进行供电, 客户需自行购买D-TAP转DC的充电线 (要符合10A电流输出标准) 给设备供电。
- 另外, SH73 手柄式移动电源内含V口电池, V口电池的BP口 / 手柄D-TAP口存在动态功率范围 (约120W - 168W), 如果因环境高温或者连续使用, 造成电池过流 (电流大于10A) 或者过热 ($65^{\circ}\text{C} \pm 2^{\circ}\text{C}$), 会导致电池无法对外放电。此时只需静置电池, 让电池解除过流保护, 即可继续使用。其他品牌V口电池同理。

CN 产品参数

SH73 手柄式移动电源 (73瓦时)

产品型号: SH73

① 手柄部分

BP 额定输入	16.8V \sim 10A (Max 168W)
BP 输入范围	12-16.8V \sim 10A (Max 168W)
D-TAP 额定输出	16.8V \sim 10A (Max 168W)
D-TAP 输出范围	12-16.8V \sim 10A (Max 168W)

② V口电池部分

额定输入	16.8V \sim 5A (Max 84W)
输入范围	12-16.8V \sim 5A (Max 84W)
额定输出	16.8V \sim 10A (Max 168W)
输出范围	12-16.8V \sim 10A (Max 168W)
USB-C1 输入 / 输出	5V \sim 3A / 9V \sim 3A / 12V \sim 3A / 15V \sim 3A / 20V \sim 2.25A
USB-C2 输出	20V \sim 5A / 20V \sim 3.25A / 15V \sim 3A / 12V \sim 3A 9V \sim 3A / 5V \sim 3A (Max 100W)
USB-A 输出	5V \sim 2.4A / 9V \sim 2A / 12V \sim 1.5A
多口总输出	45W
电池能量	14.6V / 5000mAh / 73Wh

警告:

- * 禁止拆解、撞击、挤压或投入火中; 若出现严重鼓胀, 请勿继续使用。
- * 请勿置于高温、潮湿或腐蚀环境中; 电池浸水后禁止使用。

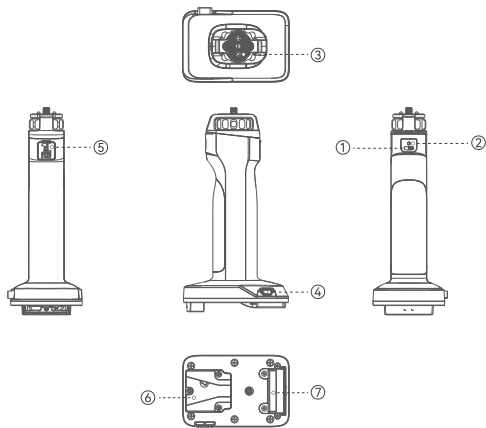
1. Bevor Sie dieses Produkt verwenden, lesen Sie bitte sorgfältig die Bedienungsanleitung durch.
2. Bitte beachten Sie alle Warnhinweise und befolgen Sie alle Anweisungen in der Bedienungsanleitung.
3. Die Batterien werden ab Werk mit einem Ladezustand (SoC) $\leq 30\%$ der Nennkapazität ausgeliefert.
4. Eingebaute, nicht entfernbare Lithiumbatterien, unbefugte Demontage ist strengstens verboten; externe Lithiumbatterie, bitte zerlegen Sie die Batterie nicht.
5. Wenn die Batterie für eine lange Zeit ohne Gebrauch gelagert wird, sollte sie zur Wartung innerhalb von 6 Monaten geladen und entladen werden, und etwa 60% der Ladekapazität sollte wiederhergestellt werden, um die Lebensdauer der Batterie zu verlängern.
6. In der Batterie befinden sich einige Schadstoffe, bitte werfen Sie sie nicht willkürlich weg, sondern recyceln Sie die beschädigten oder nicht mehr verwendeten Produkte gemäß den Vorschriften der Abfallwirtschaft.
7. Kinder sollten es unter Anleitung von Erwachsenen anwenden.
8. Umgebungstemperatur der Aufladung: $0\text{ }^{\circ}\text{C} \sim 45\text{ }^{\circ}\text{C}$ ($32\text{ }^{\circ}\text{F} \sim 113\text{ }^{\circ}\text{F}$)
9. Umgebungstemperatur der Entladung: $-10\text{ }^{\circ}\text{C} \sim 45\text{ }^{\circ}\text{C}$ ($14\text{ }^{\circ}\text{F} \sim 113\text{ }^{\circ}\text{F}$)
10. Überschreiten Sie bei der Stromversorgung anderer Geräte nicht die maximal zulässige Leistung der Batterie.



Zerlegen Sie das Produkt oder die Batterie nicht. Wenn Sie irgendwelche Probleme mit dem Produkt vermuten, wenden Sie sich bitte an die Einkaufsplattform, um den Kundendienst zu beantragen.

DE Produktübersicht

1 Griffteil



① USB-C-Ausgang:

Bietet bis zu 100W USB-C PD-Stromversorgung (erfordert ein PD 3.0-kompatibles Ladekabel).

② Weiße LED-Arbeitslampe: Leuchtet bei eingeschaltetem Gerät ständig und blinkt bei niedrigem Akkustand.

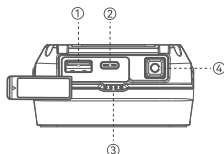
③ 1/4"-Gewindebuchse mit Arri-Positionierung: Verbindung mit 1/4"-Gewindegeräten wie RC 60 / RC 100.

④ V-Mount-Lösentaste: Ein Klick löst den V-Mount-Akku.

⑤ D-Tap-Ausgang: Bietet bis zu 168W DC-Stromversorgung (erfordert ein D-Tap-Ladekabel, das 10A unterstützt).

⑥ V-Mount-Buchse: Ermöglicht die Montage von V-Mount-Akkus.

⑦ BP-Eingang: Verbindung mit V-Mount-Akkus zur Stromversorgung des SH01-Griffs.



① USB-A-Ausgang:

Bietet bis zu 18W USB-A QC-Stromversorgung (erfordert ein QC 2.0-kompatibles Ladekabel).

② USB-C-Eingang / Ausgang:

Bietet bis zu 45W USB-C PD-Stromversorgung (erfordert ein PD 2.0-kompatibles Ladekabel).

③ Blaue LED-Arbeitslampe:

Vier blaue LEDs zeigen den Akkustand an (1 LED = 25 %, 2 LEDs = 50 %, 3 LEDs = 75 %, 4 LEDs = 100 %).

④ Ein-/Ausschalttaste:

Ein Klick aktiviert die blaue LED zur Akkustandsanzeige. Die LED erlischt nach 7 Sekunden ohne Last.

Stromversorgung

- Der SH73-Griffakku bietet USB-C- und D-Tap-Ausgänge zur direkten Stromversorgung von Geräten wie RC 60B/RC 100B und anderen PD/DC-kompatiblen Geräten. Er unterstützt bis zu 100W USB-C- und 168W DC-Stromversorgung.
- Für volle Leistung wird ein V-Mount-Akku mit 12–16,8V, mindestens 98Wh und einer Entladefähigkeit über 100W empfohlen. Beim Anschluss von Geräten über den USB-C-Anschluss unterstützt der SH73 mit der enthaltenen V-Mount-Batterie und einem USB-C-zu-USB-C-Ladekabel (PD 3.0) eine maximale Leistung von 100W PD.
- Für die Stromversorgung über den D-TAP-Anschluss muss der Kunde ein D-TAP-zu-DC-Ladekabel (mit einer Ausgangsstromstärke von bis zu 10A) separat erwerben.
Darüber hinaus verfügt der tragbare SH73-Handgriff über eine eingebaute
- V-Mount-Batterie. Der BP-Anschluss der Batterie bzw. der D-TAP-Anschluss des Handgriffs verfügen über einen dynamischen Leistungsbereich (ca. 120W–168W). Wenn die Batterie aufgrund hoher Umgebungstemperaturen oder intensiver Nutzung überlastet wird (Stromstärke über 10A) oder überhitzt ($65\text{ °C} \pm 2\text{ °C}$), wird die Stromabgabe deaktiviert. In diesem Fall muss die Batterie einfach abkühlen, um den Überlastschutz zu deaktivieren, und sie kann dann wieder verwendet werden. Dies gilt auch für V-Mount-Batterien anderer Marken.

DE Produktspezifikationen

SH73 Powerbank mit Griffdesign (73Wh)

(Produktmodell: SH73)

1 Griffteil

BP Nennleistung Eingang	16.8V \rightarrow 10A (Max 168W)
BP Eingangsbereich	12-16.8V \rightarrow 10A (Max 168W)
D-TAP Nennleistung Ausgang	16.8V \rightarrow 10A (Max 168W)
D-TAP Ausgangsbereich	12-16.8V \rightarrow 10A (Max 168W)
USB-C Ausgang	20V \rightarrow 5A / 20V \rightarrow 3.25A / 15V \rightarrow 3A 12V \rightarrow 3A / 9V \rightarrow 3A / 5V \rightarrow 3A (Max 100W)

2 V-Mount-Akku

BP Nennleistung Eingang	16.8V \rightarrow 5A (Max 84W)
BP Eingangsbereich	12-16.8V \rightarrow 5A (Max 84W)
BP Nennleistung Ausgang	16.8V \rightarrow 10A (Max 168W)
BP Ausgangsbereich	12-16.8V \rightarrow 10A (Max 168W)
USB-C1 Ein-/Ausgang	5V \rightarrow 3A / 9V \rightarrow 3A / 12V \rightarrow 3A / 15V \rightarrow 3A / 20V \rightarrow 2.25A
USB-C2 Ausgang	20V \rightarrow 5A / 20V \rightarrow 3.25A / 15V \rightarrow 3A 12V \rightarrow 3A / 9V \rightarrow 3A / 5V \rightarrow 3A (Max 100W)
USB-A Ausgang	5V \rightarrow 2.4A / 9V \rightarrow 2A / 12V \rightarrow 1.5A
Gesamtleistung aller Anschlüsse	45W
Batteriekapazität	14.6V / 5000mAh / 73Wh

Warnung:

- * Nicht zerlegen, stoßen, quetschen oder ins Feuer werfen.
- * Bei starkem Anschwellen nicht weiter verwenden.
- * Nicht in einer Umgebung mit hoher Temperatur, Feuchtigkeit oder Korrosion aufbewahren.
- * Nicht verwenden, nachdem der Batterie in Wasser eingetaucht wurde.

Remarques importantes

FR

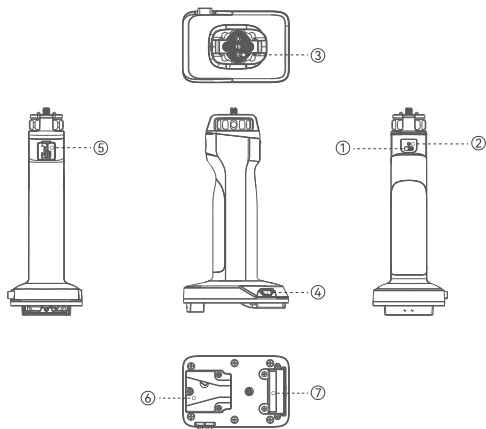
1. Veuillez lire attentivement le manuel d'utilisation avant d'utiliser ce produit.
2. Faites attention à tous les avertissements et suivez toutes les instructions du manuel d'utilisation.
3. La batterie est expédiée de l'usine avec un niveau de charge (SoC) $\leq 30\%$ de la capacité nominale.
4. Ce produit contient une batterie au lithium intégrée non amovible. Tout démontage non autorisé est strictement interdit ; si le produit est équipé d'une batterie externe au lithium, ne démontez pas la batterie.
5. Lorsque la batterie n'est pas utilisée pendant une longue période, elle doit être chargée et déchargée tous les 6 mois pour l'entretien. Assurez-vous de restaurer environ 60 % de la capacité de charge pour prolonger la durée de vie de la batterie.
6. La pile contient un peu de substances nocives, veuillez ne pas la jeter au hasard. Veuillez recycler le produit endommagé ou hors service conformément à la réglementation sur la gestion des déchets.
7. Les enfants doivent utiliser ce produit sous la surveillance d'un adulte.
8. Température de charge : 0 °C - 45 °C (32 °F - 113 °F)
9. Température de décharge : -10 °C - 45 °C (14 °F - 113 °F).
10. Ne dépassez pas la puissance maximale autorisée par la batterie lorsque vous alimentez d'autres appareils.



Ne démontez pas le produit ou la batterie. Si vous estimez qu'il y a un problème avec le produit, veuillez contacter la plate-forme d'achat et demander le service après-vente.

FR Présentation du produit

① Partie poignée



① Sortie USB-C:

Jusqu'à 100W d'alimentation USB-C PD (nécessite un câble compatible PD 3.0 ou supérieur).

② Voyant LED blanc:

Allumé pendant l'utilisation, clignote en cas de batterie faible.

③ Port fileté 1/4" avec positionnement Arri:

Connexion à des appareils avec port femelle 1/4", comme le RC 60/RC 100.

④ Bouton de libération V-Mount:

Un clic pour libérer la batterie V-Mount.

⑤ Sortie D-Tap:

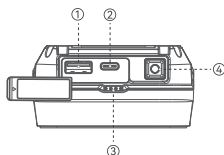
Jusqu'à 168W d'alimentation DC (nécessite un câble D-Tap supportant 10A).

⑥ Support V-Mount:

Montage pour batteries V-Mount.

⑦ Entrée BP:

Connexion à des batteries V-Mount pour alimenter la poignée SH01.



① Sortie USB-A:

Jusqu'à 18W d'alimentation USB-A QC (nécessite un câble compatible QC 2.0 ou supérieur).

② Entrée / Sortie USB-C:

Jusqu'à 45W d'alimentation USB-C PD (nécessite un câble compatible PD 2.0 ou supérieur).

③ Voyant LED bleu:

Quatre LED indiquent l'état de la batterie (1 LED = 25 %, 2 LED = 50 %, 3 LED = 75 %, 4 LED = 100 %).

④ Bouton d'alimentation:

Un clic active les LED pour l'état de la batterie. Les LED s'éteignent après 7 secondes sans charge.

Alimentation

- Le bloc d'alimentation portable SH73 propose des sorties USB-C et D-Tap pour alimenter directement des appareils comme le RC 60B/RC 100B et d'autres compatibles PD/DC. Il supporte jusqu'à 100W USB-C et 168W DC.
- Pour une performance maximale, il est recommandé d'utiliser une batterie V-Mount de 12–16,8V, d'au moins 98Wh et avec une capacité de décharge supérieure à 100W. Lors de l'alimentation d'un appareil via le port USB-C, le SH73, avec la batterie V-Mount incluse et un câble USB-C vers USB-C (PD 3.0), prend en charge une puissance maximale de 100W PD. Pour l'alimentation via le port D-TAP, le client doit acheter séparément un câble D-TAP vers DC (avec un courant de sortie jusqu'à 10A).
- De plus, l'alimentateur portable SH73 avec poignée intègre une batterie V-Mount. Les ports BP de la batterie et D-TAP de la poignée ont une plage de puissance dynamique (environ 120W–168W). Si la batterie est surchargée (courant supérieur à 10A) ou surchauffe ($65\text{ C} \pm 2\text{ C}$) en raison de températures ambiantes élevées ou d'une utilisation prolongée, elle cessera de délivrer de l'énergie. Dans ce cas, il suffit de laisser la batterie refroidir pour désactiver la protection contre la surcharge, et elle pourra être réutilisée. Cela s'applique également aux batteries V-Mount d'autres marques.

FR Spécifications

Powerbank SH73 avec poignée ergonomique (73Wh)

(Modèle de produit: SH73)

1 Partie poignée

Entrée BP nominale	16.8V~10A (Max 168W)
Plage d'entrée BP	12-16.8V~10A (Max 168W)
Sortie D-TAP nominale	16.8V~10A (Max 168W)
Plage de sortie D-TAP	12-16.8V~10A (Max 168W)
Sortie USB-C	20V~5A / 20V~3.25A / 15V~3A 12V~3A / 9V~3A / 5V~3A (Max 100W)

2 Partie batterie

Entrée BP nominale	16.8V~5A (Max 84W)
Plage d'entrée BP	12-16.8V~5A (Max 84W)
Sortie BP nominale	16.8V~10A (Max 168W)
Plage de sortie BP	12-16.8V~10A (Max 168W)
Entrée/Sortie USB-C1	5V~3A / 9V~3A / 12V~3A / 15V~3A / 20V~2.25A
Sortie USB-C2	20V~5A / 20V~3.25A / 15V~3A 12V~3A / 9V~3A / 5V~3A (Max 100W)
Sortie USB-A	5V~2.4A / 9V~2A / 12V~1.5A
Sortie totale multiports	45W
Capacité de la batterie	14.6V / 5000mAh / 73Wh

Avertissement:

- * Ne pas démonter, percuter, écraser ou jeter au feu.
- * Ne pas continuer à utiliser en cas de gonflement important.
- * Ne pas placer dans un environnement à haute température, humide ou corrosif.
- * Ne pas utiliser après que la batterie a été immergée dans l'eau.

Promemoria Importante

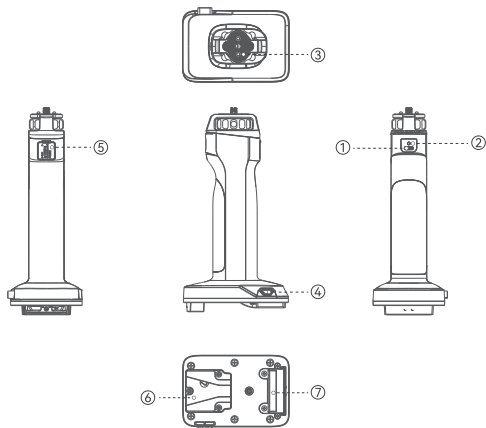
1. Si prega di leggere attentamente il manuale dell'utente prima di utilizzare questo prodotto.
2. Si prega di prestare attenzione a tutte le avvertenze e seguire tutte le istruzioni nel manuale dell'utente.
3. Lo stato di carica (SoC) della batteria all'uscita dalla fabbrica è $\leq 30\%$ della capacità nominale di progetto.
4. Batteria al litio incorporata non rimovibile, lo smontaggio non autorizzato è severamente vietato; batteria al litio esterna, non smontare la batteria.
5. Quando la batteria non viene utilizzata per un lungo periodo di tempo, deve essere caricata e scaricata per manutenzione entro 6 mesi e ripristinata a circa il 60% della capacità di carica per prolungare la durata della batteria.
6. All'interno della batteria sono presenti alcune sostanze nocive, si prega di non gettarla via in modo casuale, ma di riciclare i prodotti danneggiati o non più utilizzati secondo le normative sulla gestione dei rifiuti.
7. I bambini si prega di usarlo sotto la guida di un adulto.
8. Temperatura di carica: $0\text{ }^{\circ}\text{C} \sim 45\text{ }^{\circ}\text{C}$ ($32\text{ }^{\circ}\text{F} \sim 113\text{ }^{\circ}\text{F}$)
9. Temperatura di scarica: $-10\text{ }^{\circ}\text{C} \sim 45\text{ }^{\circ}\text{C}$ ($14\text{ }^{\circ}\text{F} \sim 113\text{ }^{\circ}\text{F}$)
10. Quando si alimentano altri dispositivi, non superare la potenza massima consentita dalla batteria.



Por favor, no desmonte el producto ni la batería. Si usted sospecha cualquier problema con el producto, por favor comuníquese con la plataforma de compras para solicitar el servicio de postventa.

IT Panoramica del prodotto

1 Parte dell'impugnatura



① Uscita USB-C:

Fino a 100W di alimentazione USB-C PD (richiede cavo PD 3,0 o superiore).

② LED di lavoro bianco:

Accesso durante l'uso, lampeggia con batteria scarica.

③ Attacco filettato 1/4" con posizionamento Arri:

Collegamento a dispositivi con attacco 1/4", come RC 60/RC 100.

④ Pulsante di sgancio V-Mount:

Un clic per scollegare la batteria V-Mount.

⑤ Uscita D-Tap:

Fino a 168W di alimentazione DC (richiede cavo D-Tap da 10A).

⑥ Alloggiamento V-Mount:

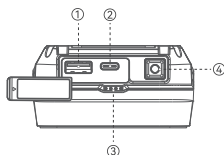
Montaggio per batterie V-Mount.

⑦ Ingresso BP:

Collegamento a batterie V-Mount per alimentare l'impugnatura SH01.

2 Parte della batteria

IT



① Uscita USB-A:

Fino a 18W di alimentazione USB-A QC (richiede cavo QC 2.0 o superiore).

② Ingresso/Uscita USB-C:

Fino a 45W di alimentazione USB-C PD (richiede cavo PD 2.0 o superiore).

③ LED di lavoro blu:

Quattro LED indicano lo stato della batteria (1 LED = 25 %, 2 LED = 50 %, 3 LED = 75 %, 4 LED = 100 %).

④ Pulsante di accensione:

Un clic attiva i LED per lo stato della batteria. I LED si spengono dopo 7 secondi senza carico.

Alimentazione

- La batteria portatile SH73 offre uscite USB-C e D-Tap per alimentare direttamente dispositivi come RC 60B/RC 100B e altri compatibili con PD/DC. Supporta fino a 100W USB-C e 168W DC.
- Per la massima potenza, si consiglia una batteria V-Mount da 12–16,8V, almeno 98Wh e capacità di scarica superiore a 100W. Quando si utilizza la porta USB-C per alimentare i dispositivi, il SH73, insieme alla batteria V-Mount inclusa e al cavo USB-C to USB-C (PD 3.0), supporta una potenza massima di 100W PD. Per l'alimentazione tramite la porta D-TAP, il cliente deve acquistare separatamente un cavo D-TAP to DC (con una corrente di uscita fino a 10A).
- Inoltre, l'alimentatore portatile SH73 con maniglia include una batteria V-Mount integrata. Le porte BP della batteria e D-TAP del manico hanno un intervallo di potenza dinamico (circa 120W–168W). Se la batteria diventa sovraccarica (corrente superiore a 10A) o si surriscalda ($65\text{ C} \pm 2\text{ C}$) a causa di temperature ambientali elevate o uso prolungato, smetterà di erogare energia. In questo caso, basta lasciare raffreddare la batteria per disattivare la protezione da sovraccarico, e potrà essere riutilizzata. Lo stesso vale per le batterie V-Mount di altri marchi.

IT Specifiche

Powerbank SH73 con design a maniglia (73Wh)

(Modello del prodotto: SH73)

1 Parte dell'impugnatura

Ingresso BP nominale	16.8V~10A (Max 168W)
Intervallo di ingresso BP	12-16.8V~10A (Max 168W)
Uscita D-TAP nominale	16.8V~10A (Max 168W)
Intervallo di uscita D-TAP	12-16.8V~10A (Max 168W)
Uscita USB-C	20V~5A / 20V~3.25A / 15V~3A 12V~3A / 9V~3A / 5V~3A (Max 100W)

2 Parte della batteria

Ingresso BP nominale	16.8V~5A (Max 84W)
Intervallo di ingresso BP	12-16.8V~5A (Max 84W)
Uscita BP nominale	16.8V~10A (Max 168W)
Intervallo di uscita BP	12-16.8V~10A (Max 168W)
Ingresso / Uscita USB-C1	5V~3A / 9V~3A / 12V~3A / 15V~3A / 20V~2.25A
Uscita USB-C2	20V~5A / 20V~3.25A / 15V~3A 12V~3A / 9V~3A / 5V~3A (Max 100W)
Uscita USB-A	5V~2.4A / 9V~2A / 12V~1.5A
Uscita totale multiporta	45W
Capacità della batteria	14.6V / 5000mAh / 73Wh

Avvertimento:

- * Non smontare, urtare, schiacciare o gettare nel fuoco.
- * Non continuare a usare in caso di rigonfiamento grave.
- * Non posizionare in ambienti ad alta temperatura, umidi o corrosivi.
- * Non utilizzare dopo che la batteria è stata immersa in acqua.

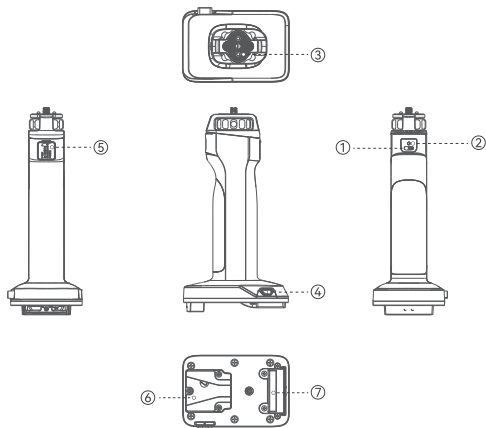
1. Lea el manual del usuario atentamente antes de utilizar el aparato.
2. Preste atención a todas las advertencias y siga todas las instrucciones del manual del usuario.
3. El estado de carga de la batería (SoC) al salir de fábrica es inferior o igual al 30% de la capacidad nominal.
4. Este producto tiene una batería de litio no extraíble incorporada. Está estrictamente prohibido desmontarlo sin autorización; Y la batería externa de litio, no la desmonte.
5. Cuando la batería no se utiliza durante un período prolongado, se debe cargar y descargar una vez cada 6 meses y restaurarla a aproximadamente el 60 % de la capacidad cargada con el fin de extender su vida útil.
6. Hay algunas sustancias nocivas dentro de la batería, por lo que no la deseche batería al azar. Por favor, recicle los productos dañados o que ya no utilicen de acuerdo con la política de gestión de residuos.
7. Los niños sólo deben utilizarlo bajo la supervisión de un adulto.
8. Temperatura de carga: 0 °C ~ 45 °C (32 °F ~ 113 °F)
9. Temperatura de descarga: -10 °C ~ 45 °C (14 °F ~ 113 °F)
10. No exceda la potencia máxima admisible de la batería cuando se suministra energía a otros dispositivos.



Por favor, no desmonte el producto ni la batería. Si usted sospecha cualquier problema con el producto, por favor comuníquese con la plataforma de compras para solicitar el servicio de postventa.

ES Descripción del producto

1 Parte del mango



① **Salida USB-C:**

Hasta 100W de alimentación USB-C PD (requiere cable compatible PD 3,0 o superior).

② **LED blanco de trabajo:**

Encendido durante el uso, parpadea con poca batería.

③ **Conector roscado 1/4" con posicionamiento Arri:**

Conexión a dispositivos con conector hembra 1/4", como RC 60/RC 100.

④ **Botón de liberación V-Mount:**

Un clic para desconectar la batería V-Mount.

⑤ **Salida D-Tap:**

Hasta 168W de alimentación DC (requiere cable D-Tap que soporte 10A).

⑥ **Soporte V-Mount:**

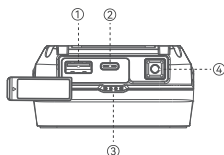
Montaje para baterías V-Mount.

⑦ **Entrada BP:**

Conexión a baterías V-Mount para alimentar el mango SH01.

2 Batería V-Mount

ES



① Salida USB-A:

Hasta 18W de alimentación USB-A QC (requiere cable compatible QC 2.0 o superior).

② Entrada/Salida USB-C:

Hasta 45W de alimentación USB-C PD (requiere cable compatible PD 2.0 o superior).

③ LED azul de trabajo:

Cuatro LED indican el estado de la batería (1 LED = 25 %, 2 LED = 50 %, 3 LED = 75 %, 4 LED = 100 %).

④ Botón de encendido:

Un clic activa los LED para el estado de la batería. Los LED se apagan después de 7 segundos sin carga.

Alimentación

- La batería portátil SH73 ofrece salidas USB-C y D-Tap para alimentar directamente dispositivos como RC 60B/RC 100B y otros compatibles con PD/DC. Soporta hasta 100W USB-C y 168W DC.
- Para un funcionamiento a plena potencia, se recomienda una batería V-Mount de 12–16,8V, al menos 98Wh y capacidad de descarga superior a 100W. Al alimentar dispositivos a través del puerto USB-C, el SH73, con la batería V-Mount incluida y un cable USB-C a USB-C (PD 3.0), admite una potencia máxima de 100W PD. Para la alimentación a través del puerto D-TAP, el cliente debe adquirir por separado un cable D-TAP a DC (con una corriente de salida de hasta 10A).
- Además, la batería portátil SH73 con asa incluye una batería V-Mount integrada. Los puertos BP de la batería y D-TAP del asa tienen un rango de potencia dinámico (aproximadamente 120W–168W). Si la batería se sobrecarga (corriente superior a 10A) o se sobrecalienta ($65\text{ C} \pm 2\text{ C}$) debido a altas temperaturas ambientales o uso prolongado, dejará de suministrar energía. En este caso, basta con dejar que la batería se enfríe para desactivar la protección contra sobrecarga, y podrá volver a usarse. Lo mismo se aplica a las baterías V-Mount de otras marcas.

ES Especificaciones

Powerbank SH73 con diseño de asa (73Wh)

(Modelo de producto: SH73)

1 Parte del mango

Entrada BP nominal	16.8V \rightarrow 10A (Max 168W)
Rango de entrada BP	12-16.8V \rightarrow 10A (Max 168W)
Salida D-TAP nominal	16.8V \rightarrow 10A (Max 168W)
Rango de salida D-TAP	12-16.8V \rightarrow 10A (Max 168W)
Salida USB-C	20V \rightarrow 5A / 20V \rightarrow 3.25A / 15V \rightarrow 3A 12V \rightarrow 3A / 9V \rightarrow 3A / 5V \rightarrow 3A (Max 100W)

2 Parte de la batería

Entrada BP nominal	16.8V \rightarrow 5A (Max 84W)
Rango de entrada BP	12-16.8V \rightarrow 5A (Max 84W)
Salida BP nominal	16.8V \rightarrow 10A (Max 168W)
Rango de salida BP	12-16.8V \rightarrow 10A (Max 168W)
Entrada/Salida USB-C1	5V \rightarrow 3A / 9V \rightarrow 3A / 12V \rightarrow 3A / 15V \rightarrow 3A / 20V \rightarrow 2.25A
Salida USB-C2	20V \rightarrow 5A / 20V \rightarrow 3.25A / 15V \rightarrow 3A 12V \rightarrow 3A / 9V \rightarrow 3A / 5V \rightarrow 3A (Max 100W)
Salida USB-A	5V \rightarrow 2.4A / 9V \rightarrow 2A / 12V \rightarrow 1.5A
Salida total multipuerto	45W
Capacidad de la batería	14.6V / 5000mAh / 73Wh

Advertencia:

- * No desmontar, golpear, aplastar o tirar al fuego.
- * No continuar usando si se produce una hinchazón severa.
- * No colocar en ambientes de alta temperatura, húmedos o corrosivos.
- * No usar después de que la batería se haya sumergido en agua.

Informações Importantes

PT

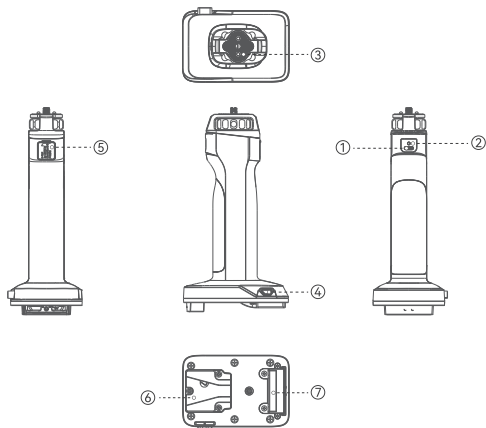
1. Antes de usar este produto, leia cuidadosamente o manual do usuário.
2. Esteja atento a todos os avisos e siga todas as instruções contidas no manual do usuário.
3. A carga da bateria ao sair da fábrica é $\leq 30\%$ da capacidade nominal do projeto.
4. As baterias de íons de lítio embutidas não são removíveis; não desmonte o dispositivo. Para baterias de íons de lítio externas, não desmonte a bateria.
5. Ao armazenar a bateria por longos períodos sem uso, faça uma manutenção de carga e descarga dentro de 6 meses e preserve cerca de 60% da carga para prolongar a vida útil da bateria.
6. A bateria contém uma pequena quantidade de substâncias nocivas; não descarte aleatoriamente. Descarte ou recicle o produto danificado ou não utilizado conforme regulamentações de gestão de resíduos.
7. As crianças devem usar este produto sob a supervisão de adulto.
8. Temperatura de carregamento: $0^{\circ}\text{C} - 45^{\circ}\text{C}$ ($32^{\circ}\text{F} - 113^{\circ}\text{F}$)
9. Temperatura de descarregamento: $-10^{\circ}\text{C} - 45^{\circ}\text{C}$ ($14^{\circ}\text{F} - 113^{\circ}\text{F}$)
10. Ao fornecer energia a outros dispositivos, não ultrapasse a potência máxima permitida da bateria.



Não desmonte o produto ou a bateria. Se houver suspeita de problemas com o produto, entre em contato com a plataforma de compra para solicitar assistência pós-venda.

PT Visão geral do produto

1 Parte da alça



① Saída USB-C:

Até 100W de energia USB-C PD (requer cabo compatível com PD 3,0 ou superior).

② LED branco de trabalho:

Aceso durante o uso, pisca com bateria fraca.

③ Conector roscado 1/4" com posicionamento Arri:

Conexão a dispositivos com conector fêmea 1/4", como RC 60/RC 100.

④ Botão de liberação V-Mount:

Um clique para desconectar a bateria V-Mount.

⑤ Saída D-Tap:

Até 168W de energia DC (requer cabo D-Tap que suporte 10A).

⑥ Suporte V-Mount:

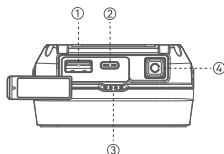
Montagem para baterias V-Mount.

⑦ Entrada BP:

Conexão a baterias V-Mount para alimentar a alça SH01.

2 Bateria V-Mount

PT



① Saída USB-A:

Até 18W de energia USB-A QC (requer cabo compatível com QC 2.0 ou superior).

② Entrada/Saída USB-C:

Até 45W de energia USB-C PD (requer cabo compatível com PD 2.0 ou superior).

③ LED azul de trabalho:

Quatro LED indicam o estado da bateria (1 LED = 25 %, 2 LED = 50 %, 3 LED = 75 %, 4 LED = 100 %).

④ Botão de ligar:

Um clique ativa os LED para o estado da bateria. Os LED apagam após 7 segundos sem carga.

Alimentação

- A bateria portátil SH73 oferece saídas USB-C e D-Tap para alimentar diretamente dispositivos como RC 60B/RC 100B e outros compatíveis com PD/DC. Suporta até 100W USB-C e 168W DC.
- Para funcionamento em potência total, recomenda-se uma bateria V-Mount de 12–16,8V, pelo menos 98Wh e capacidade de descarga superior a 100W. Ao alimentar dispositivos através da porta USB-C, o SH73, com a bateria V-Mount incluída e um cabo USB-C para USB-C (PD 3.0), suporta uma potência máxima de 100W PD. Para alimentação através da porta D-TAP, o cliente deve adquirir separadamente um cabo D-TAP para DC (com corrente de saída de até 10A).
- Além disso, a bateria portátil SH73 com alça inclui uma bateria V-Mount integrada. As portas BP da bateria e D-TAP da alça possuem uma faixa de potência dinâmica (aproximadamente 120W–168W). Se a bateria ficar sobrecarregada (corrente acima de 10A) ou superaquecer ($65\text{ C} \pm 2\text{ C}$) devido a temperaturas ambientais elevadas ou uso contínuo, ela deixará de fornecer energia. Nesse caso, basta deixar a bateria esfriar para desativar a proteção contra sobrecarga, e ela poderá ser reutilizada. O mesmo se aplica a baterias V-Mount de outras marcas.

PT Especificações

Powerbank SH73 com design de alça (73Wh)

(Modelo do produto: SH73)

1 Parte do cabo

Entrada BP nominal	16.8V~10A (Max 168W)
Faixa de entrada BP	12-16.8V~10A (Max 168W)
Saída D-TAP nominal	16.8V~10A (Max 168W)
Faixa de saída D-TAP	12-16.8V~10A (Max 168W)
Saída USB-C	20V~5A / 20V~3.25A / 15V~3A 12V~3A / 9V~3A / 5V~3A (Max 100W)

2 Parte da bateria

Entrada BP nominal	16.8V~5A (Max 84W)
Faixa de entrada BP	12-16.8V~5A (Max 84W)
Saída BP nominal	16.8V~10A (Max 168W)
Faixa de saída BP	12-16.8V~10A (Max 168W)
Entrada / Saída USB-C1	5V~3A / 9V~3A / 12V~3A / 15V~3A / 20V~2.25A
Saída USB-C2	20V~5A / 20V~3.25A / 15V~3A 12V~3A / 9V~3A / 5V~3A (Max 100W)
Saída USB-A	5V~2.4A / 9V~2A / 12V~1.5A
Saída total multiporta	45W
Capacidade da bateria	14.6V / 5000mAh / 73Wh

Aviso:

- * Não desmonte, impacte, esmague ou jogue no fogo.
- * Não continue a usar se ocorrer inchaço severo.
- * Não coloque em ambientes de alta temperatura, úmidos ou corrosivos.
- * Não use após a bateria ter sido imersa em água.

Belangrijke herinnering

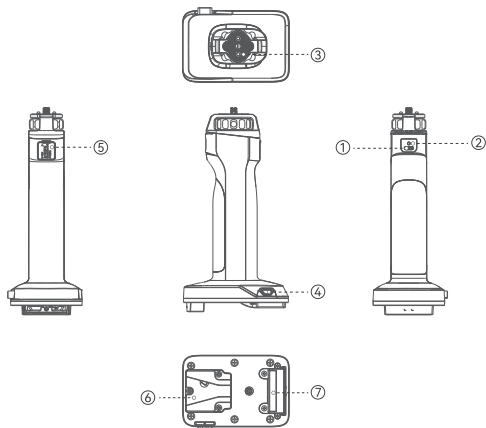
1. Lees deze gebruiksaanwijzing zorgvuldig door voordat u dit product gebruikt.
2. Let op alle waarschuwingen en volg alle instructies in de gebruiksaanwijzing.
3. De laadtoestand (SoC) van de batterij is $\leq 30\%$ van de nominale capaciteit op het moment dat het product de fabriek verlaat.
4. Ongeoorloofde demontage van de ingebouwde niet-verwijderbare lithiumbatterij is ten strengste verboden; Demontage van de externe lithiumbatterij is niet toegestaan.
5. Na langdurige opslag zonder gebruik wordt aanbevolen om de batterij eens in de 6 maanden op te laden en te ontladen voor onderhoud om ongeveer 60% van de laadcapaciteit te herstellen, waardoor de levensduur van de batterij verlengd kan worden.
6. De batterij van dit product bevat enkele schadelijke stoffen, dus gooi deze niet zomaar weg. Recycle de beschadigde of ongebruikte producten in overeenstemming met de regelgeving voor afval.
7. Kinderen mogen het alleen onder begeleiding van een volwassene gebruiken.
8. Laadtemperatuur: $0\text{ }^{\circ}\text{C} \sim 45\text{ }^{\circ}\text{C}$ ($32\text{ }^{\circ}\text{F} \sim 113\text{ }^{\circ}\text{F}$)
9. Ontladingstemperatuur: $-10\text{ }^{\circ}\text{C} \sim 45\text{ }^{\circ}\text{C}$ ($14\text{ }^{\circ}\text{F} \sim 113\text{ }^{\circ}\text{F}$)
10. Wanneer u andere apparaten van stroom voorziet, mag u het maximaal toegestane vermogen van de batterij niet overschrijden.



Demonteer het product of de batterij niet. Als er een probleem is met het product, neem dan contact op met de verkoper voor hulp.

NL Productoverzicht

1 Handgriepgedeelte



① USB-C-uitgang:

Tot 100W USB-C PD-voeding (vereist een PD 3.0-compatibele kabel).

② Witte LED-werkindicatie:

Aan tijdens gebruik, knippert bij een lage batterij.

③ 1/4"-schroefaansluiting met Arri-positionering:

Verbinding met apparaten met 1/4"-schroef, zoals RC 60/RC 100.

④ V-Mount-ontgrendelingsknop:

Klik om de V-Mount-batterij los te koppelen.

⑤ D-Tap-uitgang:

Tot 168W DC-voeding (vereist een D-Tap-kabel die 10A ondersteunt).

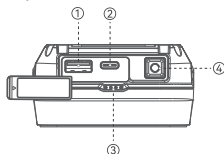
⑥ V-Mount-bevestiging:

Montage voor V-Mount-batterijen.

⑦ BP-ingang:

Aansluiting op V-Mount-batterijen om de SH01-handgreep van stroom te voorzien.

2 V-Mount-batterij



① USB-A-uitgang:

Tot 18W USB-A QC-voeding (vereist een QC 2.0-compatibele kabel).

② USB-C-in-/uitgang:

Tot 45W USB-C PD-voeding (vereist een PD 2.0-compatibele kabel).

③ Blauwe LED-werkindicatie:

Vier LED's geven de batterijstatus aan (1 LED = 25 %, 2 LED's = 50 %, 3 LED's = 75 %, 4 LED's = 100 %).

④ Aan-/uitknop:

Klik om de LED's voor de batterijstatus te activeren. Na 7 seconden zonder belasting gaan de LED's uit.

Voeding

- De SH73-handgreepaccu biedt USB-C- en D-Tap-uitgangen voor directe stroomvoorziening van apparaten zoals RC 60B/RC 100B en andere PD/DC-compatibele apparaten. Ondersteunt tot 100W USB-C en 168W DC.
- Voor volledig vermogen wordt een V-Mount-batterij van 12–16,8V, ten minste 98Wh en een ontladingscapaciteit van meer dan 100W aanbevolen. Wanneer apparaten worden aangesloten via de USB-C-poort, ondersteunt de SH73, met de meegeleverde V-Mount-batterij en een USB-C-naar-USB-C-oplader (PD 3.0), een maximaal vermogen van 100W PD. Voor stroomvoorziening via de D-TAP-poort moet de klant een D-TAP-naar-DC-opladerkabel (met een uitgangsstroom tot 10A) apart aanschaffen.
- Bovendien bevat de draagbare SH73-handgreep een ingebouwde V-Mount-batterij. De BP-poort van de batterij en de D-TAP-poort van de handgreep hebben een dynamisch vermogensbereik (ongeveer 120W–168W). Als de batterij overbelast raakt (stroomsterkte boven 10A) of oververhit ($65\text{ C} \pm 2\text{ C}$) door hoge omgevingstemperaturen of langdurig gebruik, stopt deze met het leveren van stroom. In dat geval hoeft de batterij alleen maar af te koelen om de overbelastingsbeveiliging te deactiveren, waarna deze opnieuw kan worden gebruikt. Dit geldt ook voor V-Mount-batterijen van andere merken.

NL Specificaties

SH73 Powerbank met handgriepontwerp (73Wh)

(Productmodel: SH73)

1 Handgriepgedeelte

BP nominale ingang	16.8V~10A (Max 168W)
BP ingangsbereik	12-16.8V~10A (Max 168W)
D-TAP nominale uitgang	16.8V~10A (Max 168W)
D-TAP uitgangsbereik	12-16.8V~10A (Max 168W)
USB-C uitgang	20V~5A / 20V~3.25A / 15V~3A 12V~3A / 9V~3A / 5V~3A (Max 100W)

2 Batterijgedeelte

BP nominale ingang	16.8V~5A (Max 84W)
BP ingangsbereik	12-16.8V~5A (Max 84W)
BP nominale uitgang	16.8V~10A (Max 168W)
BP uitgangsbereik	12-16.8V~10A (Max 168W)
USB-C1 ingang / uitgang	5V~3A / 9V~3A / 12V~3A / 15V~3A / 20V~2.25A
USB-C2 uitgang	20V~5A / 20V~3.25A / 15V~3A 12V~3A / 9V~3A / 5V~3A (Max 100W)
USB-A uitgang	5V~2.4A / 9V~2A / 12V~1.5A
Totale uitgang meerdere poorten	45W
Batterijcapaciteit	14.6V / 5000mAh / 73Wh

Waarschuwing:

- * Demonteer niet, stoot niet, knijp niet of gooi niet in vuur.
- * Gebruik niet verder als er ernstige zwelling optreedt.
- * Plaats niet in een omgeving met hoge temperaturen, vocht of corrosie.
- * Gebruik niet nadat de batterij in water is ondergedompeld.

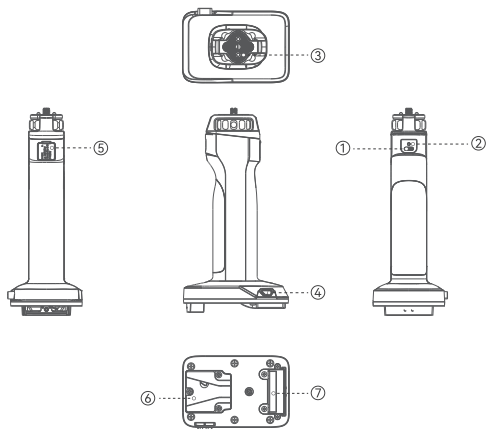
1. Läs denna bruksanvisning noggrant innan du använder produkten.
2. Var uppmärksam på varningstexterna och följ alla instruktioner i bruksanvisningen.
3. Batteriets laddningsstatus (SoC) är $\leq 30\%$ av den nominella kapaciteten vid den tidpunkt då det lämnar fabriken.
4. Inbyggt icke-urtagbart litiumbatteri, obehörig demontering är strängt förbjuden; externt litiumbatteri, ingen demontering är tillåten.
5. Efter en längre tids förvaring utan användning rekommenderas att batteriet laddas upp och ur var 6:e månad för underhåll och för att återställa ca 60% av den laddade kapaciteten och därmed förlänga batteriets livslängd.
6. Släng inte produkten i soporna då batteriet innehåller skadliga ämnen. Återvinn skadade eller oanvända produkter i enlighet med bestämmelserna för avfallshantering.
7. Barn bör använda den under överinseende av en vuxen.
8. Laddningstemperatur: $0\text{ C} \sim 45\text{ C}$ ($32\text{ F} \sim 113\text{ F}$)
9. Urladdningstemperatur: $-10\text{ C} \sim 45\text{ C}$ ($14\text{ F} \sim 113\text{ F}$)
10. Vid strömförsörjning av andra enheter, överskrid inte batteriets maximalt tillåtna effekt.



Plocka inte isär produkten eller batteriet. Om det uppstår problem med produkten, vänligen kontakta återförsäljaren för hjälp.

SE Produktüberblick

1 Griffteil



① USB-C-Ausgang:

Bis zu 100W USB-C PD (PD 3.0-kompatibles Kabel erforderlich).

② Weißes LED-Anzeige:

Leuchtet im Betrieb, blinkt bei niedrigem Akku.

③ 1/4"-Gewinde mit Arri-Positionierung:

Verbindung mit 1/4"-Geräten wie RC 60/RC 100.

④ V-Mount-Entriegelungstaste:

Ein Klick löst den V-Mount-Akku.

⑤ D-Tap-Ausgang:

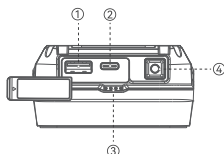
Bis zu 168W DC (D-Tap-Kabel mit 10A erforderlich).

⑥ V-Mount-Halterung:

Montage für V-Mount-Akkus.

⑦ BP-Eingang:

Verbindung mit V-Mount-Akkus zur Stromversorgung der SH01-Griffe.



① USB-A-Ausgang:

Bis zu 18W USB-A QC (QC 2.0-kompatibles Kabel erforderlich).

② USB-C-Ein-/Ausgang:

Bis zu 45W USB-C PD (PD 2.0-kompatibles Kabel erforderlich).

③ Blaue LED-Anzeige:

Vier LEDs zeigen den Akkustand an (1 LED = 25 %, 2 LEDs = 50 %, 3 LEDs = 75 %, 4 LEDs = 100 %).

④ Ein-/Ausschaltknopf:

Ein Klick aktiviert die LEDs für den Akkustand. Nach 7 Sekunden ohne Last gehen die LEDs aus.

Stromversorgung

- Der SH73-Handgriffakku bietet USB-C- und D-Tap-Ausgänge zur direkten Stromversorgung von Gerä wie RC 60B/RC 100B und anderen PD/DC-kompatiblen Geräten. Unterstützt bis zu 100W USB-C- und 168W DC-Stromversorgung.
- Für volle Leistung wird ein V-Mount-Akku mit 12–16,8V, mindestens 98Wh und einer Entladefähigkeit über 100W empfohlen. Wann Gerät über de USB-C-Aaschloss betriebe werdet, unterstützt de SH73 mit dr inbegriffene V-Mount-Batterie und em USB-C-zu-USB-C-Ladekabel (PD 3.0) e maximali Leischtig vo 100W PD. Für d Stromversorgig über de D-TAP-Aaschloss mues de Kunde es D-TAP-zu-DC-Ladekabel (mit eme Usgangsstrom bis zu 10A) separat chaufe.
- Witerhin verfüegt de tragbare SH73-Handgriff über e integrierti V-Mount-Batterie. De BP-Aaschloss vo dr Batterie bzw. de D-TAP-Aaschloss vom Handgriff händ en dynamische Leischtigsberiech (ca. 120W–168W). Wann d Batterie wäge hohe Umgebungstemperatur oder intensivem Gebrauch überlastet wird (Stromstärke über 10A) oder überhitzt ($65\text{ C} \pm 2\text{ C}$), wird d Stromabgab deaktiviert. I dem Fall muess d Batterie eifach abchühle, zum de Überlaschtigsschutz z deaktivierä, und sie chan denn wieder verwändet wärde. Das gilt au für V-Mount-Batterie vo andere Marke.

SE **Spezifikatione**

SH73 Powerbank med handtagsdesign (73Wh)

(Produktmodell: SH73)

1 Greiftail

BP Nominal-ligang	16.8V~10A (Max 168W)
BP ligangsberiech	12-16.8V~10A (Max 168W)
D-TAP Nominal-Uusgang	16.8V~10A (Max 168W)
D-TAP Uusgangsberiech	12-16.8V~10A (Max 168W)
USB-C Uusgang	20V~5A / 20V~3.25A / 15V~3A 12V~3A / 9V~3A / 5V~3A (Max 100W)

2 Batterietail

BP Nominal-ligang	16.8V~5A (Max 84W)
BP ligangsberiech	12-16.8V~5A (Max 84W)
BP Nominal-Uusgang	16.8V~10A (Max 168W)
BP Uusgangsberiech	12-16.8V~10A (Max 168W)
USB-C1 II-/Uusgang	5V~3A / 9V~3A / 12V~3A / 15V~3A / 20V~2.25A
USB-C2 Uusgang	20V~5A / 20V~3.25A / 15V~3A 12V~3A / 9V~3A / 5V~3A (Max 100W)
USB-A Uusgang	5V~2.4A / 9V~2A / 12V~1.5A
Total Uusgang vo alle Aaschläss	45W
Batteriekapazität	14.6V / 5000mAh / 73Wh

Varning:

- * Demontera inte, slå inte, kläm inte eller kasta inte i eld.
- * Fortsätt inte använda om svällning uppstår.
- * Placera inte i miljöer med hög temperatur, fukt eller korrosion.
- * Använd inte efter att batteriet har blivit neddoppat i vatten.

Service & Warranty

Please keep your original receipt and guarantee card. Be sure the dealer has written on it the date of purchase and SN of the product. These are required for warranty service.

After-sale Warranty Terms

SmallRig products are entitled to warranty services as of the date of payment.

- Electronic products (except V mount battery): 1-year warranty.
- V mount battery: 2-year warranty.
- Non-electronic products: 2-year warranty.

Note: In case of any conflict between our warranty period policy and applicable laws and regulations of the country / region where the products are sold, the latter shall prevail.

This Warranty Does Not Cover

1. If users fail to adhere to the "Operating Instruction" or any "Warnings" stated in the user manual, resulting in a quality failure, it falls outside the scope of warranty coverage.
2. The product identification or SN label is removed or defaced in any way.
3. Product damage caused by problems not attributable to the quality of the products such as improper use of the products.
4. Product damage caused by unauthorized modification, disassembly, repair and other acts.
5. Product damage caused by fires, floods, lightning and other force majeure factors.

Warranty Mode

- For the products within the scope of warranty, SmallRig will repair or replace them on the basis of specific failures; the repaired / replaced products / parts are entitled to the remaining part of the original warranty period.

Contact Information

- You're advised to contact the online customer service personnel of corresponding shopping platform and submit a repair service application.
- You may also apply for repair service through SmallRig's service email.

Service Email: support@smallrig.com

保修条款

请保留您的原始购买单据及保修卡,同时包含您的购买日期、产品序列号等,这些资料质保服务时均需要提供。

售后质保条款

SmallRig产品自下单付款之日起享有质保服务。

- 电子产品(除V口电池): 1年质保。
- V口电池: 2年质保。
- 非电子产品: 2年质保。

注:若销售地国家或地区的适用法律法规有冲突的,以销售地国家或地区有关质保期的法律法规为准。

质保无效说明

1. 当用户违反操作指引或用户手册中“重要提示”任何一条导致的质量失效,不在质保范围内。
2. 产品序列号标识已经被撕毁或无法辨识,不在质保范围。
3. 产品使用不当等非产品本身质量问题,而造成的产品损坏,不在质保范围。
4. 非官方指导的私自改装、拆解、维修等行为而造成的损坏,不在质保范围。
5. 因火灾、水灾、雷击等不可抗力造成的产品损坏,不在质保范围。

维修方式

- 属于质保范围的,SmallRig 根据产品具体的故障对产品进行维修或更换;维修后的产品 / 部件享受原有保修期的剩余时长。

联系方式

- 建议您优先前往相应购买平台联系在线客服,提出产品维修申请。
- 您也可以通过 SmallRig 服务邮箱申请维修服务。

服务邮箱:support@smallrig.com

Guarantee Card / 保修卡

ID No. ID 编号	
Item Name 产品名称	
Purchase Date 购买日期	
User Name 用户姓名	
Mobile 用户电话	
Address 用户地址	
Receipt 购买单据	

Manufacturer Email: support@smallrig.com

Manufacturer: Shenzhen Leqi Innovation Co., Ltd.

Add: Rooms 101, 701, 901, Building 4, Gonglianfuji Innovation Park, No. 58, Ping'an Road, Dafu Community, Guanlan Street, Longhua District, Shenzhen, Guangdong, China.

Consignor: Shenzhen LC Co., Ltd.

Add: Room 201, Building 4, Gonglianfuji Innovation Park, No. 58, Ping'an Road, Dafu Community, Guanlan Street, Longhua District, Shenzhen, Guangdong, China.

制造商: 深圳市乐其创新股份有限公司

地址: 中国广东省深圳市龙华区观澜街道大富社区平安路58号共联富基创新园
4栋101、701、901

委托商: 深圳市乐长科技有限公司

地址: 中国广东省深圳市龙华区观澜街道大富社区平安路58号共联富基创新园
4栋201

FCC Statement

This equipment has been tested and found to comply with the limits for a Class B digital device, pursuant to part 15 of the FCC rules. These limits are designed to provide reasonable protection against harmful interference in a residential installation. This equipment generates, uses and can radiate radio frequency energy and, if not installed and used in accordance with the instructions, may cause harmful interference to radio communications. However, there is no guarantee that interference will not occur in a particular installation. If this equipment does cause harmful interference to radio or television reception, which can be determined by turning the equipment off and on, the user is encouraged to try to correct the interference by one or more of the following measures:

- Reorient or relocate the receiving antenna.
- Increase the separation between the equipment and receiver.
- Connect the equipment into an outlet on a circuit different from that to which the receiver is connected.
- Consult the dealer or an experienced radio/TV technician for help.

To assure continued compliance, any changes or modifications not expressly approved by the party.

Responsible for compliance could void the user's authority to operate this equipment. (Example- use only shielded interface cables when connecting to computer or peripheral devices).

This equipment complies with Part 15 of the FCC Rules. Operation is subject to the following two conditions:

- (1) This device may not cause harmful interference, and
- (2) This device must accept any interference received, including interference that may cause undesired operation.

FCC ID: 2BC2U-RC100B

ISED Statement

English: This device contains licence-exempt transmitter(s)/receiver(s) that comply with Innovation, Science and Economic Development Canada's licence-exempt RSS(s). Operation is subject to the following two conditions:

- (1) This device may not cause interference.
- (2) This device must accept any interference, including interference that may cause undesired operation of the device.

French: Cet appareil contient des émetteurs/récepteurs exempts de licence qui sont conformes aux CNR exempts de licence d'Innovation, Sciences et Développement économique Canada. Le fonctionnement est soumis aux deux conditions suivantes:

- (1) Cet appareil ne doit pas causer d'interférences.
- (2) Cet appareil doit accepter toute interférence, y compris les interférences susceptibles de provoquer un fonctionnement indésirable de l'appareil.

This device meets the exemption from the routine evaluation limits in section 2.5 of RSS 102 and compliance with RSS 102 RF exposure, users can obtain Canadian information on RF exposure and compliance. cet appareil est conforme à l'exemption

des limites d'évaluation courante dans la section 2.5 du cnr - 102 et conformité avec rss 102 de l'exposition aux rf, les utilisateurs peuvent obtenir des données canadiennes sur l'exposition aux champs rf et la conformité.

This equipment complies with Canada radiation exposure limits set forth for an uncontrolled environment. This equipment should be installed and operated with minimum distance 0cm between the radiator & your body.

Cet équipement doit être installé et utilisé avec une distance minimale de 0cm entre le radiateur et votre corps.

Cet équipement est conforme Canada limites d'exposition aux radiations dans un environnement non contrôlé.

IC: 31675-RC100B



WE ARE HERE FOR YOU
服务与支持



ETICHETTATURA AMBIENTALE
ENVIRONMENTAL LABELING



GAVIMOSA CONSULTORIA, SOCIEDAD LIMITADA,
CASTELLANA 9144, 28046 Madrid,
compliance.gavimosa@outlook.com



Sea&Mew Accounting Ltd,
Electric Avenue Vision 25, London,
Enfield EN3 7GD, info@seamew.net

FCC ID: 2BC2U-RC100B

IC: 31675-RC100B

CMIT ID: 24J44G01R100

执行标准: GB 7000.1-2015, GB 31241-2022, GB 4943.1-2022

LQ-P1459-18



SmallRig Japan株式会社



Li-ion



PAP



219-249285



Séparez les éléments avant de trier



Points de collecte sur www.quefairedemesdechets.fr
Privilégiez la réparation ou le don de votre appareil !

中国制造
Made in China