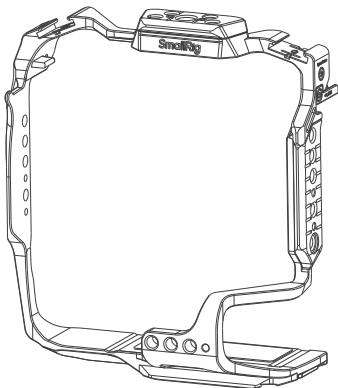


SmallRig



Cage (for Panasonic LUMIX S1R II / S5 II / S5 IIX / G9 II with DMW-BG1 / DMW-BG2 Battery Grip)

拓展框 (适用于松下 S1R II / S5 II / S5 IIX / G9 II 搭配 DMW-BG1 / 2 时使用)

In the Box / 包装清单

Cage
拓展框

× 1

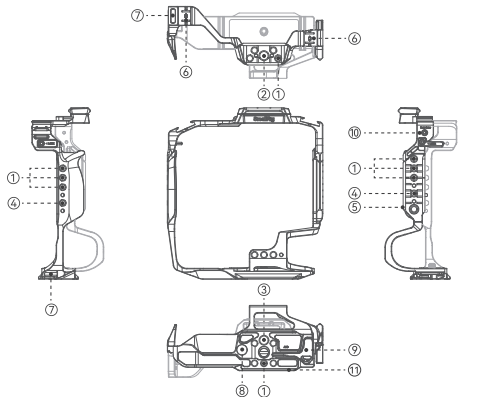
Guarantee Card
保修卡

× 1

Operating Instruction
操作指引

× 1

Product Details / 产品介绍



① 1/4"-20 Threaded Hole
1/4"-20 螺纹孔

② ARRI 3/8"-16 Locating Hole
阿莱(ARRI) 定位孔

③ 3/8"-16 Threaded Hole
3/8"-16 螺纹孔

④ 1/4"-20 Locating Hole
1/4"-20 定位孔

⑤ H21 NATO Rail
快拆滑条

⑥ H18 Cold Shoe Mount
快拆冷靴

⑦ Strap Slot
肩带 / 腕带接口

⑧ QD Socket
QD 接口

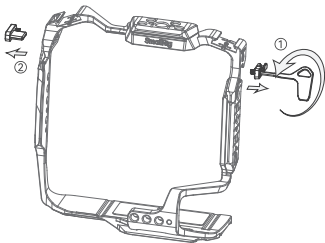
⑨ Double Head Wrench
双头扳手

⑩ Spare Screw
备用螺丝

⑪ H38 Arca-Swiss Quick
Release Plate
阿卡规格快装板

Cage Installation / 拓展框安装步骤

1



2



Warning / 警告:

The package does not include the camera and battery grip.

相机机身和竖拍手柄需另购。

Specifications / 产品参数

Product Dimensions 产品尺寸	148.4 × 68.6 × 163.3mm / 5.8 × 2.7 × 6.4in
Product Weight 产品重量	190.0 ± 5.0g / 6.7 ± 0.2oz
Material(s) 主要材质	Aluminum Alloy, Stainless Steel, Silicone 铝合金、不锈钢、硅胶
Compatibility 兼容性	Panasonic LUMIX S1R II with DMW-BG2 Battery Grip Panasonic LUMIX S5 II / S5 IIX / G9 II with DMW-BG1 Battery Grip 松下LUMIX S1R II 搭配 DMW-BG2 竖拍手柄 松下LUMIX S5 II / S5 IIX / G9 II 搭配 DMW-BG1 竖拍手柄

Specifications subject to change without prior notice. Please refer to the physical product for the most up-to-date information.

技术参数如有改动，以实物为准，恕不另行通知。

LQ-P1434-18

Manufacturer Email: support@smallrig.com

Manufacturer: Shenzhen Leqi Innovation Co., Ltd.

Add: Rooms 101, 701, 901, Building 4, Gonglianfuji Innovation Park, No. 58, Ping'an Road, Dafu Community, Guanlan Street, Longhua District, Shenzhen, Guangdong, China.

制造商: 深圳市乐其创新股份有限公司

地址: 中国广东省深圳市龙华区观澜街道大富社区平安路58号共联富基创新园4栋101、701、901

Consignor: Shenzhen LC Co., Ltd.

Add: Room 201, Building 4, Gonglianfuji Innovation Park, No. 58, Ping'an Road, Dafu Community, Guanlan Street, Longhua District, Shenzhen, Guangdong, China.

委托商: 深圳市乐长科技有限公司

地址: 中国广东省深圳市龙华区观澜街道大富社区平安路58号共联富基创新园4栋201

执行标准: GB/T 26572-2011

