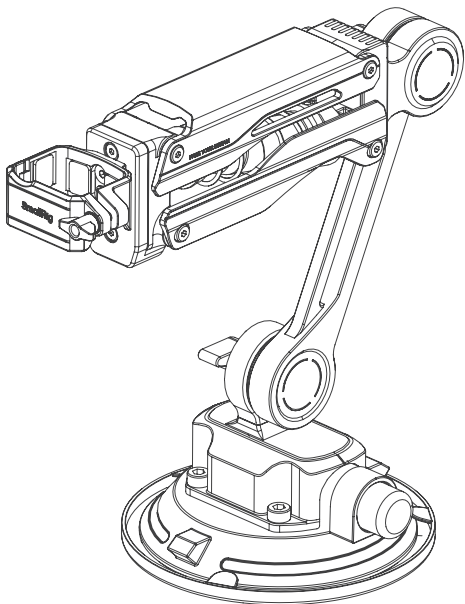
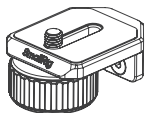


SmallRig

Shock Absorber Support

减震支撑件



WE ARE HERE FOR YOU
服务与支持

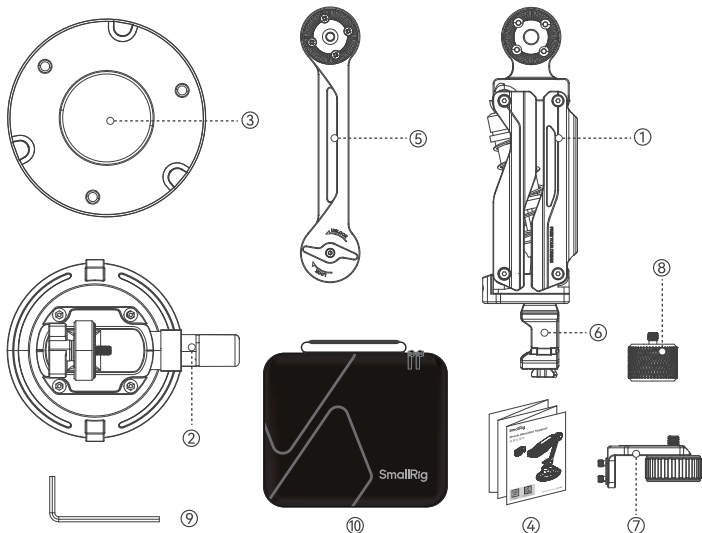


ETICHETTATURA AMBIENTALE
ENVIRONMENTAL LABELING

Operating Instruction | 操作指引

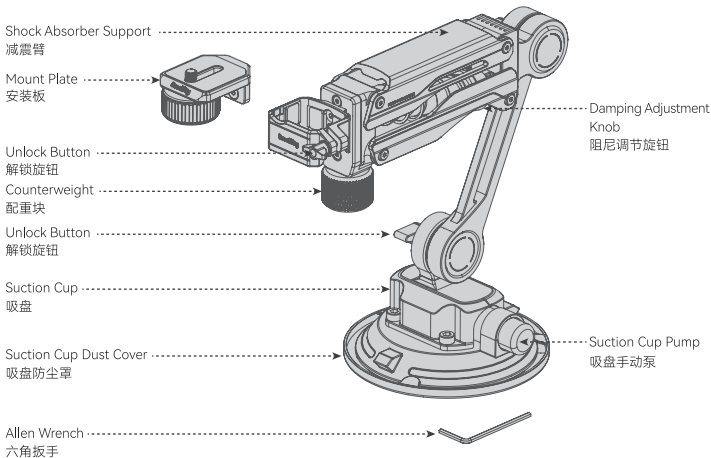
- Thank you for purchasing SmallRig's product.
感谢您购买 SmallRig 产品。
- Please read this Operating Instruction carefully.
使用本产品之前, 请仔细阅读操作指引。
- Please follow the safety warnings.
请注意所有警告提示并遵循使用操作指引的所有指令。

In the Box / 包装清单



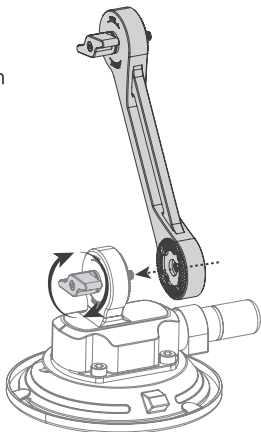
- | | | | | | |
|-----------------------------------|-----|------------------------|-----|------------------------|-----|
| ① Shock Absorber Support
减震臂 | × 1 | ⑤ Extension Arm
延长臂 | × 1 | ⑧ Counterweight
配重块 | × 1 |
| ② Suction Cup
吸盘 | × 1 | ⑥ Adapter
转接件 | × 1 | ⑨ Allen Wrench
六角扳手 | × 1 |
| ③ Suction Cup Dust Cover
吸盘防尘罩 | × 1 | ⑦ Mount Plate
安装板 | × 1 | ⑩ Carrying Bag
收纳包 | × 1 |
| ④ Operating Instruction
操作指引 | × 1 | | | | |

Product Details / 产品介绍

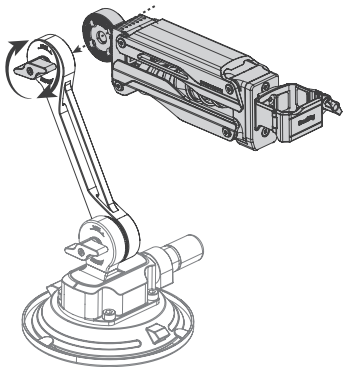


Installation Instruction / 安装步骤

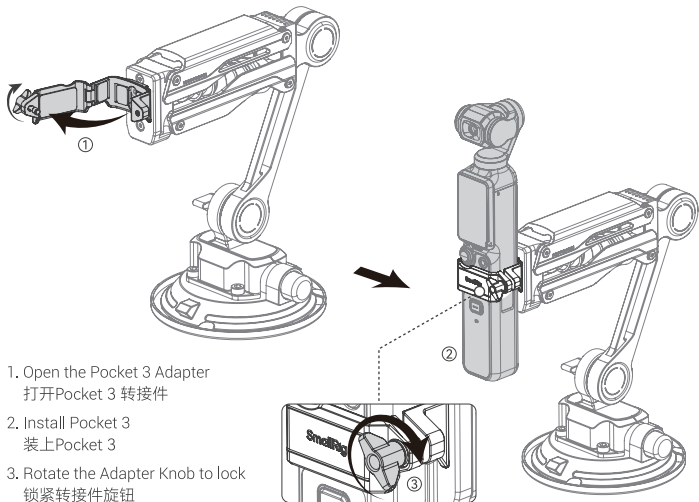
- 1 Install the suction cup and extension arm
连接吸盘与延长杆



- 2** Install the extension arm and shock absorber support
连接延长杆与减震臂



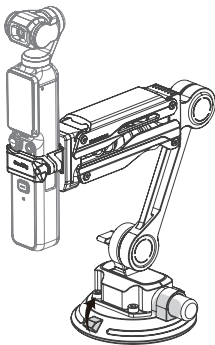
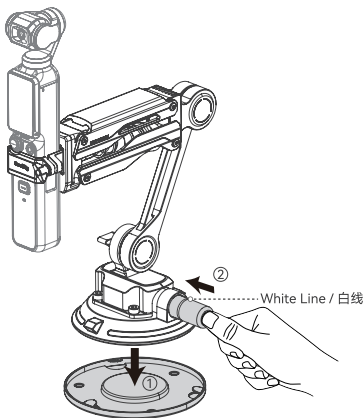
- 3** Installing Pocket 3 / 安装Pocket 3



1. Open the Pocket 3 Adapter
打开Pocket 3 转接件
2. Install Pocket 3
装上Pocket 3
3. Rotate the Adapter Knob to lock
锁紧转接件旋钮

- ④ Remove the dust cover of the suction cup, place the suction cup on a clean flat surface, keep pressing the pump until it is submerged above the white line to complete the installation.

取下吸盘防尘罩，将吸盘放在干净平面后持续按压手泵，待没过白线即可完成安装。



- ③ Push the latch upwards to remove.
往上扳动，吸附即可拆除。

Notes / 注意事项

1. The suction cup should only be used on smooth, dry, and flat surfaces. Avoid using it on rough, wet, uneven, dirty, fragile, or delicate surfaces.
吸盘仅限在光洁、干燥、平整表面使用；粗糙、湿润、不平整、不干净、易碎、易损的表面请勿使用。
2. Ensure that the suction cup base and filter disk are intact and clean. If either is damaged or contaminated, discontinue use immediately.
请保持吸盘底座和过滤棉完好、清洁；若破损、污染，请立即停止使用。
3. Exercise caution when using the suction cup on surfaces with films.
若吸附物表面有贴膜，请谨慎使用。
4. The safety line on the pump indicates the need for immediate air extraction. Press the pump button until the safety line is no longer visible.
使用中，抽气阀安全线露出即说明需要立即抽气，按压抽气阀至安全线不可见，方可继续使用。

5. When using the device outside the vehicle, secure it with a safety strap, maintain a speed below 100 km/h / 62.1 mph, check the suction performance before use, and inspect it every hour.

建议安装在车外使用时系上安全挂绳，将速度控制在100km/h以下，使用前检查吸力情况，并每1小时检查一次吸附状态。

6. Straps are not included and can be purchased separately if needed.

本产品不配备安全挂绳，如有需求需自行购买。

Specifications / 产品参数

Product Dimensions 产品尺寸	4.0 × 6.3 × 8.5in 101.5 × 159.4 × 214.5mm
Product Weight 产品重量	3.2 ± 0.4oz 720.0 ± 10.0g / 25.4 ± 0.4oz
Compatibility 兼容性	DJI Osmo Pocket 3, GoPro HERO13 Black, Insta360 X4

Specifications subject to change without prior notice. Please refer to the physical product for the most up-to-date information.

技术参数如有改动，以实物为准，恕不另行通知。

Service & Warranty

Please keep your original receipt and guarantee card. Be sure the dealer has written on it the date of purchase and SN of the product. These are required for warranty service.

After-sale Warranty Terms

SmallRig products are entitled to warranty services as of the date of payment.

- Electronic products (except V mount battery): 1-year warranty.
- V mount battery: 2-year warranty.
- Non-electronic products: 2-year warranty.

Note: In case of any conflict between our warranty period policy and applicable laws and regulations of the country / region where the products are sold, the latter shall prevail.

This Warranty Does Not Cover

1. If users fail to adhere to the "Operating Instruction" or any "Warnings" stated in the user manual, resulting in a quality failure, it falls outside the scope of warranty coverage.
2. The product identification or SN label is removed or defaced in any way.
3. Product damage caused by problems not attributable to the quality of the products such as improper use of the products.
4. Product damage caused by unauthorized modification, disassembly, repair and other acts.
5. Product damage caused by fires, floods, lightning and other force majeure factors.

Warranty Mode

• For the products within the scope of warranty, SmallRig will repair or replace them on the basis of specific failures; the repaired / replaced products / parts are entitled to the remaining part of the original warranty period.

Contact Information

- You're advised to contact the online customer service personnel of corresponding shopping platform and submit a repair service application.
- You may also apply for repair service through SmallRig's service email.
Service Email: support@smallrig.com

保修条款

请保留您的原始购买单据及保修卡,同时包含您的购买日期、产品序列号等,这些资料质保服务时均需要提供。

售后质保条款

SmallRig产品自下单付款之日起享有质保服务。

- 电子产品(除V口电池): 1年质保。
- V口电池: 2年质保。
- 非电子产品: 2年质保。

注:若销售地国家或地区的适用法律法规有冲突的,以销售地国家或地区有关质保期的法律法规为准。

质保无效说明

1. 当用户违反操作指引或用户手册中“重要提示”任何一条导致的质量失效,不在质保范围内。
2. 产品序列号标识已经被撕毁或无法辨识,不在质保范围。
3. 产品使用不当等非产品本身质量问题,而造成的产品损坏,不在质保范围。
4. 非官方指导的私自改装、拆解、维修等行为而造成的损坏,不在质保范围。
5. 因火灾、水灾、雷击等不可抗力造成的产品损坏,不在质保范围。

维修方式

• 属于质保范围的,SmallRig 根据产品具体的故障对产品进行维修或更换;维修后的产品/部件享受原有保修期的剩余时长。

联系方式

- 建议您优先前往相应购买平台联系在线客服,提出产品维修申请。
- 您也可以通过 SmallRig 服务邮箱申请维修服务。

服务邮箱: support@smallrig.com

Guarantee Card / 保修卡

ID No. ID 编号	
Item Name 产品名称	
Purchase Date 购买日期	
User Name 用户姓名	
Mobile 用户电话	
Address 用户地址	
Receipt 购买单据	

EC REP GAVIMOSA CONSULTORIA, SOCIEDAD LIMITADA,
CASTELLANA 9144, 28046 Madrid,
compliance.gavimosa@outlook.com

UK REP Sea&Mew Accounting Ltd,
Electric Avenue Vision 25, London,
Enfield EN3 7GD, info@seamew.net

Manufacturer Email: support@smallrig.com

Manufacturer: Shenzhen Leqi Innovation Co., Ltd.

Add: Rooms 101, 701, 901, Building 4, Gonglianfuji Innovation Park, No. 58, Ping'an Road,
Dafu Community, Guanlan Street, Longhua District, Shenzhen, Guangdong, China.

制造商: 深圳市乐其创新股份有限公司

地址: 中国广东省深圳市龙华区观澜街道大富社区平安路58号共联富基创新园4栋101、701、901

Consignor: Shenzhen LC Co., Ltd.

Add: Room 201, Building 4, Gonglianfuji Innovation Park, No. 58, Ping'an Road,
Dafu Community, Guanlan Street, Longhua District, Shenzhen, Guangdong, China.

委托商: 深圳市乐长科技有限公司

地址: 中国广东省深圳市龙华区观澜街道大富社区平安路58号共联富基创新园4栋201

执行标准: GB/T 26572-2011

LQ-B615-18

RoHS



Séparez les éléments avant de trier

中国制造

Made in China