

# SmallRig

## Cage Kit | 拓展框套件 (4902 / 4903)

Operating Instruction | 操作指引

- Thank you for purchasing SmallRig's product.  
感谢您购买 SmallRig 产品。
- Please read this Operating Instruction carefully.  
使用本产品之前，请仔细阅读操作指引。

## In the Box / 包装清单

### 4902 (Cage / 拓展框)

Cage 拓展框	× 1	Guarantee Card 保修卡	× 1
Operating Instruction 操作指引	× 1		

### 4903 (Cage Kit / 拓展框套件)

Cage 拓展框	× 1	HDMI & USB-C Cable Clamp HDMI & USB-C 线夹	× 1
Operating Instruction 操作指引	× 1	Top Handle 上手提	× 1

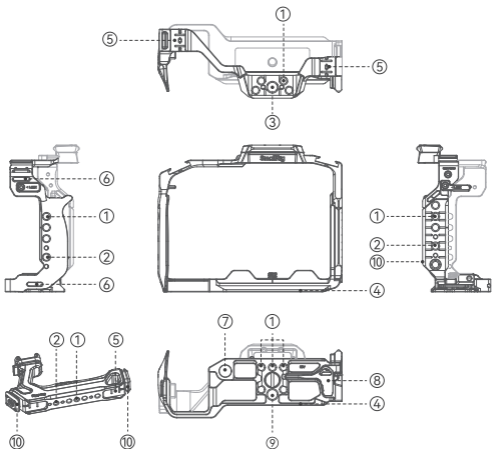
## Specifications / 产品参数

SKU	4902	4903
Product Dimensions 产品尺寸	7.2 × 2.3 × 4.7in 184.4 × 59.7 × 118.8mm	6.6 × 7.3 × 5.6in 168.8 × 185.0 × 141.8mm
Product Weight 产品重量	5.8 ± 0.2oz 164.0 ± 5.0g	12.5 ± 0.2oz 356.0 ± 5.0g
Compatibility 兼容性	Panasonic LUMIX S1R II / S5 II / S5 IIX / G9 II	Panasonic LUMIX S1R II
Material(s) 主要材质	Aluminum Alloy, Stainless Steel, Silicone 铝合金, 不锈钢, 硅胶	

Specifications subject to change without prior notice. Please refer to the physical product for the most up-to-date information.

技术参数如有改动，以实物为准，恕不另行通知。

## Product Details / 产品介绍



① 1/4"-20 Threaded Hole  
1/4"-20 螺纹孔

⑤ H18 Cold Shoe Mount  
H18 快拆冷靴

⑨ 3/8"-16 Threaded Hole  
3/8"-16 螺纹孔

② 1/4"-20 Locating Hole  
1/4"-20 定位孔

⑥ Strap Slot  
肩带 / 腕带接口

⑩ H21 NATO Rail  
H21 快拆滑条

③ ARRI 3/8"-16 Locating Hole  
阿莱定位孔

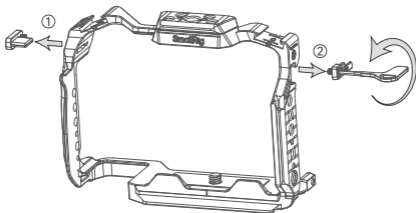
⑦ QD Socket  
QD 接口

④ H38 Arca-Swiss Quick  
Release Plate  
H38 快拆阿卡规格快装板

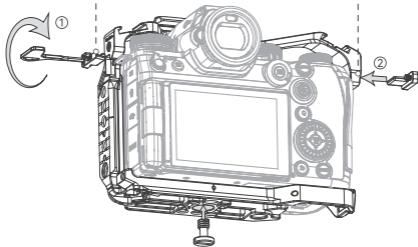
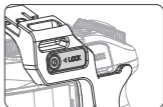
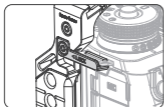
⑧ Double Head Wrench  
双头扳手

## Install the Cage / 安装拓展框

1



2



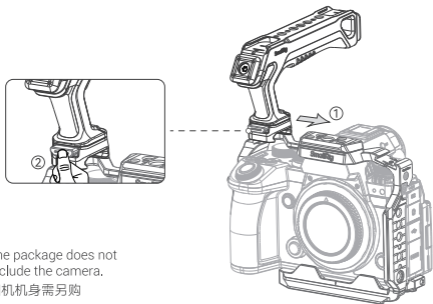
\* The package does not include the camera.

\* 相机机身需另购





## Top Handle Installation Instruction / 上提手柄安装步骤

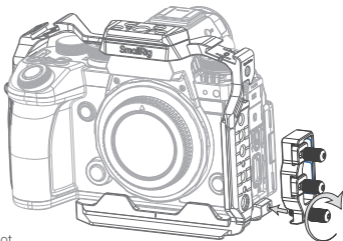


\* The package does not include the camera.

\* 相机机身需另购

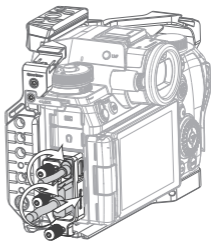
## HDMI & USB-C Cable Clamp Installation Instruction HDMI & USB-C 线夹安装步骤

1



\* The package does not include the camera.

\* 相机机身需另购



\* The package does not include the camera.

\* 相机机身需另购

## LQ-P1437-18

Manufacturer Email: support@smallrig.com

Manufacturer: Shenzhen Leqi Innovation Co., Ltd.

Add: Rooms 101, 701, 901, Building 4, Gonglianfuji Innovation Park, No. 58, Ping'an Road, Dafu Community, Guanlan Street, Longhua District, Shenzhen, Guangdong, China.

制造商: 深圳市乐其创新股份有限公司

地址: 中国广东省深圳市龙华区观澜街道大富社区平安路58号共联富基创新园4栋101、701、901

Consignor: Shenzhen LC Co., Ltd.

Add: Room 201, Building 4, Gonglianfuji Innovation Park, No. 58, Ping'an Road, Dafu Community, Guanlan Street, Longhua District, Shenzhen, Guangdong, China.

委托商: 深圳市乐长科技有限公司

地址: 中国广东省深圳市龙华区观澜街道大富社区平安路58号共联富基创新园4栋201

执行标准: GB/T 26572-2011

**RoHS** **CE** 



*Séparez les éléments avant de trier*



中国制造

Made in China