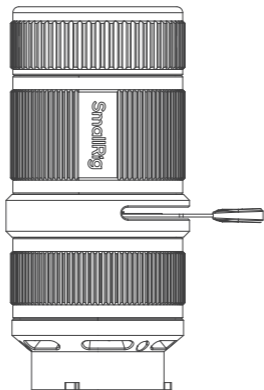


SmallRig

SP-mini Spotlight

SP-mini 成像聚光筒



Operating Instruction / 操作指引

Thank you for purchasing the SmallRig SP-Mini Spotlight.

感谢您购买SmallRig SP-Mini Spotlight 成像聚光筒。

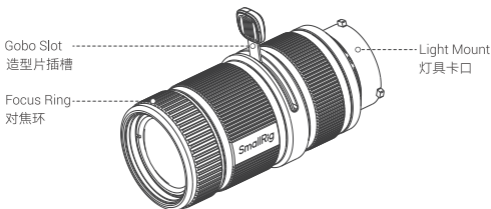
Product Introduction / 产品介绍

- The SmallRig SP-mini Spotlight is a high-quality optical accessory designed for the SmallRig RCmini mount.
- It allows the use of gobo patterns to create various special lighting effects.
- With 6 groups of coated high-transparency optical lenses, it provides over 4 times brightness enhancement.
- Constructed with a full metal body for enhanced durability and robustness.
- Comes standard with a gobo clip and gobo slides, enabling patterned effects for RC60 / RC100 series photography lights.
- Compatible only with COB lights with RC mini mount and power below 150W.
- SmallRig SP-Mini 成像聚光筒 是一款斯莫格RC mini卡口的高品质光学附件。
- 它可以使用造型片，让光打出各种特殊图案。
- 6组镀膜高透光率的光学镜组，带来4倍以上的亮度提升。
- 采用全金属机身设计，更加耐用坚固。
- 标配Gobo 夹和Gobo 造型片图案，可以让RC60 / RC100系列摄影灯实现图案效果。
- 仅适用于150W以下RC mini口的COB灯具。

In the Box / 包装清单

SP-mini Spotlight 成像聚光筒透镜	× 1	Operating Instruction 操作指引	× 1
Storage Bag 收纳包	× 1	Gobo Patterns Gobo 造型片	× 1
Gobo Clip Gobo 夹	× 1		

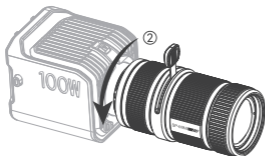
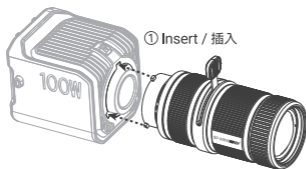
Product Details / 产品细节



Product Installation / 产品安装

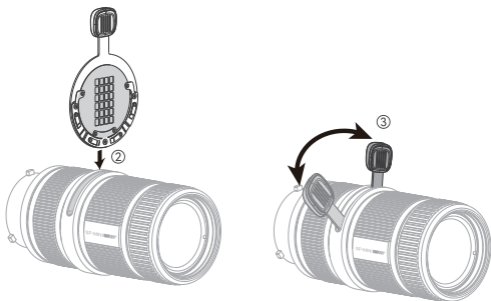
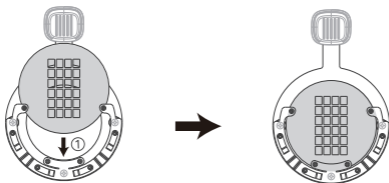
1. Align the SP-mini with the light mount and insert it. Rotate counterclockwise.

将SPOTLIGHT MINI对准灯具卡口插入，逆时针旋转。



2. **Installing Gobo:** Place the desired gobo into the clip, then insert the clip into the slot.

安装Gobo造型片：将所需GOBO片放进夹具中，接着将夹具放入插槽中。



Note / 注意事项

1. When used with LED photography lights, avoid pointing the light source directly at people's eyes to prevent injury.
搭配LED摄影灯使用时，请勿将光源对准人的眼睛，以免造成损害。
2. The SP-mini contains fragile glass components.
Handle with care and avoid impacts to prevent damage.
Spotlight 成像聚光筒属于玻璃易碎物品，请轻拿轻放，避免撞击造成损坏。
3. During prolonged use, the housing may become hot. Avoid touching or wait for it to cool before handling to prevent burns.
长时间使用时壳体可能温度过高，请勿触碰或冷却后再进行拆卸避免高温烫伤。

Specifications / 产品参数

Product Name 产品名称	SP-mini Spotlight SP-mini 成像聚光筒
Product Dimensions 产品尺寸	6.3 × 4.2 × 3.0in 161.0 × 108.0 × 77.0mm
Product Weight 产品重量	33.1 ± 1.7oz 940.0 ± 50.0g
Light Angle 发光角度	20°
Material(s) 主要材质	Aluminum 50%, Glass 25%, Silicone 15%, Stainless Steel 8%, Other 2% 铝50%，玻璃25%，硅胶15%，不锈钢8%，其他2%

Specifications subject to change without prior notice. Please refer to the physical product for the most up-to-date information.

技术参数如有改动，以实物为准，恕不另行通知。

Service & Warranty

Please keep your original receipt and guarantee card. Be sure the dealer has written on it the date of purchase and SN of the product. These are required for warranty service.

After-sale Warranty Terms

SmallRig products are entitled to warranty services as of the date of payment.

- Electronic products (except V mount battery): 1-year warranty.
- V mount battery: 2-year warranty.
- Non-electronic products: 2-year warranty.

Note: In case of any conflict between our warranty period policy and applicable laws and regulations of the country / region where the products are sold, the latter shall prevail.

This Warranty Does Not Cover

1. If users fail to adhere to the "Operating Instruction" or any "Warnings" stated in the user manual, resulting in a quality failure, it falls outside the scope of warranty coverage.
2. The product identification or SN label is removed or defaced in any way.
3. Product damage caused by problems not attributable to the quality of the products such as improper use of the products.
4. Product damage caused by unauthorized modification, disassembly, repair and other acts.
5. Product damage caused by fires, floods, lightning and other force majeure factors.

Warranty Mode

- For the products within the scope of warranty, SmallRig will repair or replace them on the basis of specific failures; the repaired / replaced products / parts are entitled to the remaining part of the original warranty period.

Contact Information

- You're advised to contact the online customer service personnel of corresponding shopping platform and submit a repair service application.
- You may also apply for repair service through SmallRig's service email.

Service Email: support@smallrig.com

EC	REP
----	-----

GAVIMOSA CONSULTORIA, SOCIEDAD LIMITADA,
CASTELLANA 9144, 28046 Madrid,
compliance.gavimosa@outlook.com

UK	REP
----	-----

Sea&Mew Accounting Ltd,
Electric Avenue Vision 25, London, Enfield EN3 7GD,
info@seamew.net

保修条款

请保留您的原始购买单据及保修卡,同时包含您的购买日期、产品序列号等,这些资料质保服务时均需要提供。

售后质保条款

SmallRig产品自下单付款之日起享有质保服务。

- 电子产品(除V口电池): 1年质保。
- V口电池: 2年质保。
- 非电子产品: 2年质保。

注:若销售地国家或地区的适用法律法规有冲突的,以销售地国家或地区有关质保期的法律法规为准。

质保无效说明

1. 当用户违反操作指引或用户手册中“重要提示”任何一条导致的质量失效,不在质保范围内。
2. 产品序列号标识已经被撕毁或无法辨识,不在质保范围。
3. 产品使用不当等非产品本身质量问题,而造成的产品损坏,不在质保范围。
4. 非官方指导的私自改装、拆解、维修等行为而造成的损坏,不在质保范围。
5. 因火灾、水灾、雷击等不可抗力造成的产品损坏,不在质保范围。

维修方式

· 属于质保范围的,SmallRig 根据产品具体的故障对产品进行维修或更换;维修后的产品 / 部件享受原有保修期的剩余时长。

联系方式

- 建议您优先前往相应购买平台联系在线客服,提出产品维修申请。
- 您也可以通过 SmallRig 服务邮箱申请维修服务。

服务邮箱: support@smallrig.com



WE ARE HERE FOR YOU
服务与支持



ETICHETTATURA AMBIENTALE
ENVIRONMENTAL LABELING

Guarantee Card / 保修卡

ID No. ID 编号	
Item Name 产品名称	
Purchase Date 购买日期	
User Name 用户姓名	
Mobile 用户电话	
Address 用户地址	
Receipt 购买单据	

Manufacturer Email: support@smallrig.com

Manufacturer: Shenzhen Leqi Innovation Co., Ltd.

制造商: 深圳市乐其创新股份有限公司

Add: Rooms 101, 701, 901, Building 4, Gonglianfuji Innovation Park, No. 58, Ping'an Road,
Dafu Community, Guanlan Street, Longhua District, Shenzhen, Guangdong, China.

地址: 中国广东省深圳市龙华区观澜街道大富社区平安路58号共联富基创新园4栋101、
701、901

Consignor: Shenzhen LC Co., Ltd.

委托商: 深圳市乐长科技有限公司

Add: Room 201, Building 4, Gonglianfuji Innovation Park, No. 58, Ping'an Road,

Dafu Community, Guanlan Street, Longhua District, Shenzhen, Guangdong, China.

地址: 中国广东省深圳市龙华区观澜街道大富社区平安路58号共联富基创新园4栋201

执行标准: GB/T 26572-2011

LQ-B612-18



Made in China

Séparez les éléments avant de trier



中国制造