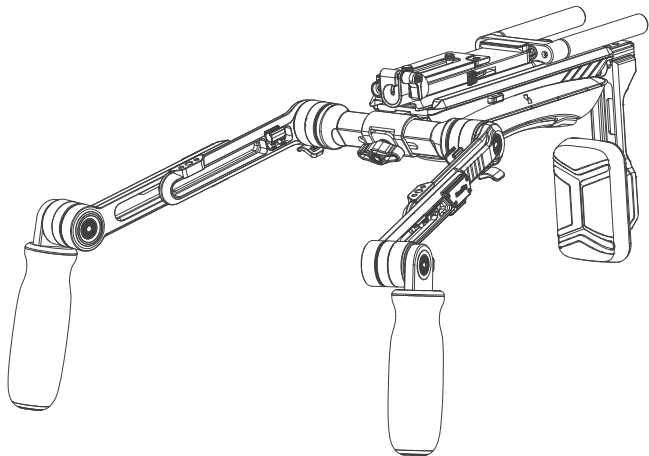


SmallRig

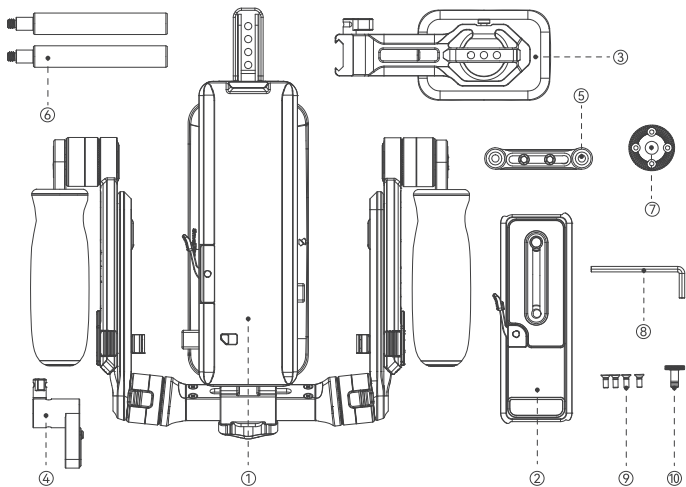
HawkLock Shoulder Rig SR007 Pro

迅鷹旗舰肩扛套件 SR007 Pro



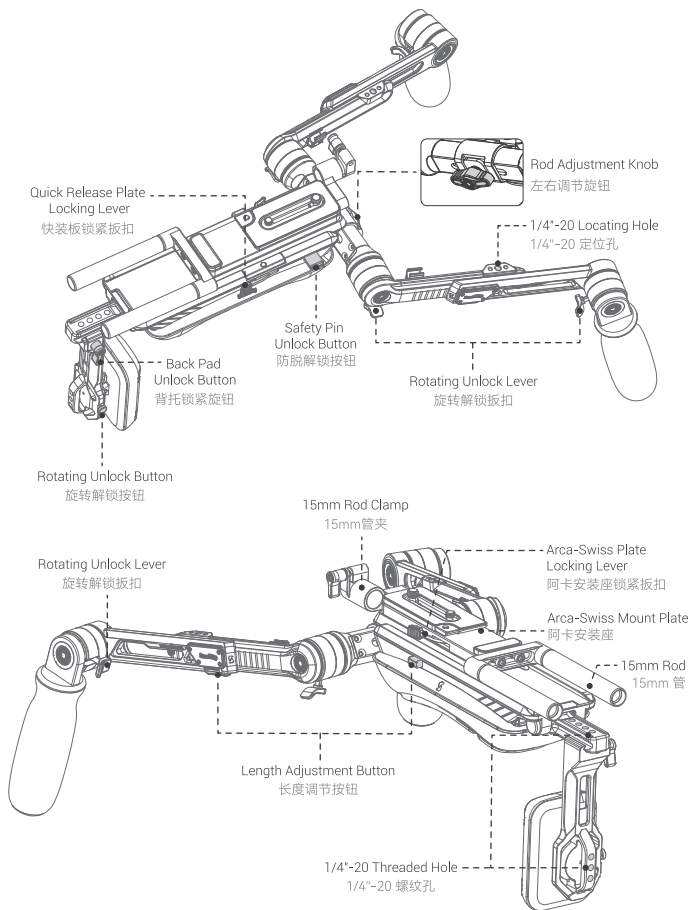
- Thank you for purchasing SmallRig's product.
感谢您购买 SmallRig 产品。
- Please read this Operating Instruction carefully.
使用本产品之前，请仔细阅读操作指引。
- Please follow the safety warnings.
请注意所有警告提示并遵循使用操作指引的所有指令。

In the Box / 包装清单



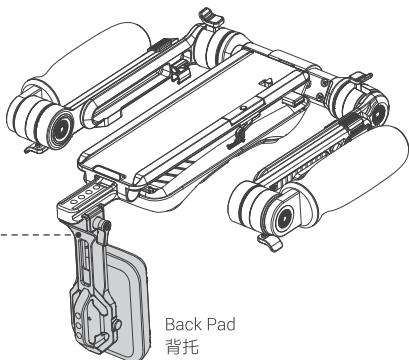
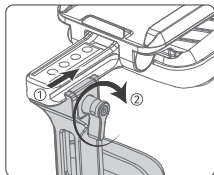
- | | | | | | |
|-----------------------|-----|-------------------------|-----|-----------------|-----|
| ① Shoulder Rig Kit | × 1 | ④ 15mm Single Rod Clamp | × 1 | ⑦ ARRI Rosette | × 1 |
| 肩扛套件 | | 15mm 单管管夹 | | 阿莱齿轮 | |
| ② Quick Release Plate | × 1 | ⑤ 15mm Rod Adapter | × 1 | ⑧ Allen Wrench | × 1 |
| 快装板 | | 15mm 管转接件 | | 六角扳手 | |
| ③ Back Pad | × 1 | ⑥ 15mm Rod | × 2 | ⑨ M3 Screw | × 4 |
| 背托 | | 15mm 管 | | M3 螺丝 | |
| | | | | ⑩ 1/4"-20 Screw | × 1 |
| | | | | 1/4"-20 螺丝 | |

Product Details / 产品介绍

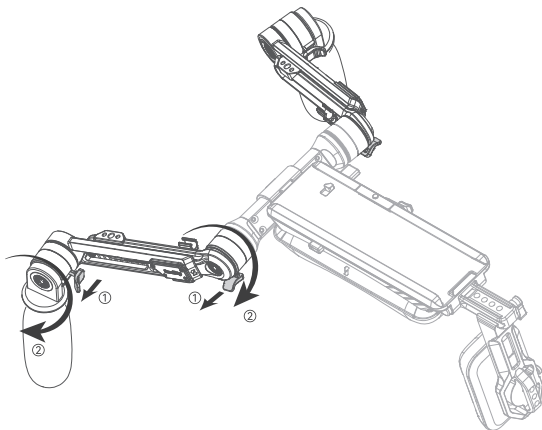


Installation Instruction / 安装步骤

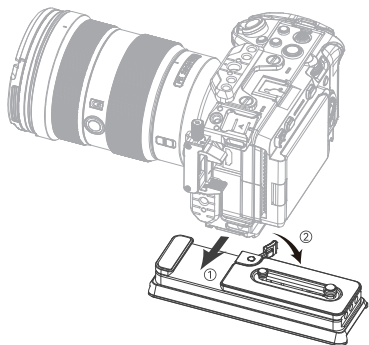
1



2

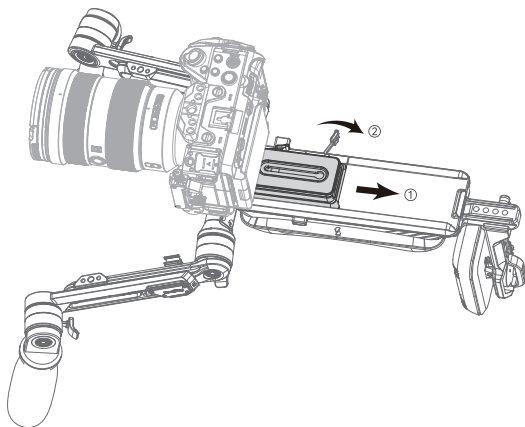


3

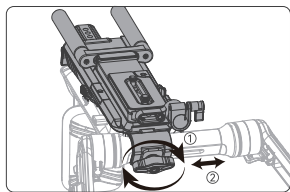
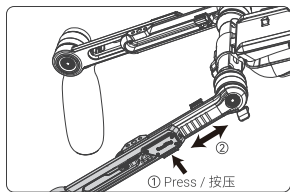
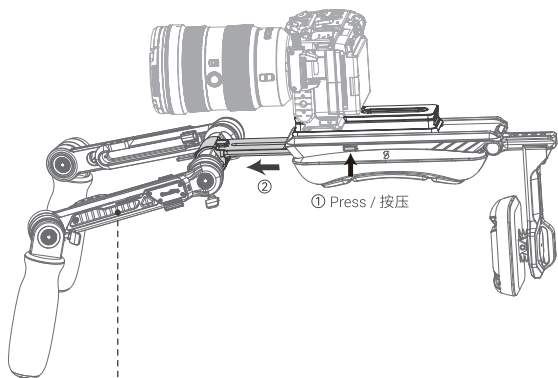


⚠ The package does not include camera, lens and cage. Mount on the quick release plate using the screw when used without the cage.
相机、镜头和拓展框需另购! 未使用拓展框时, 可使用快装板上的螺丝进行安装。

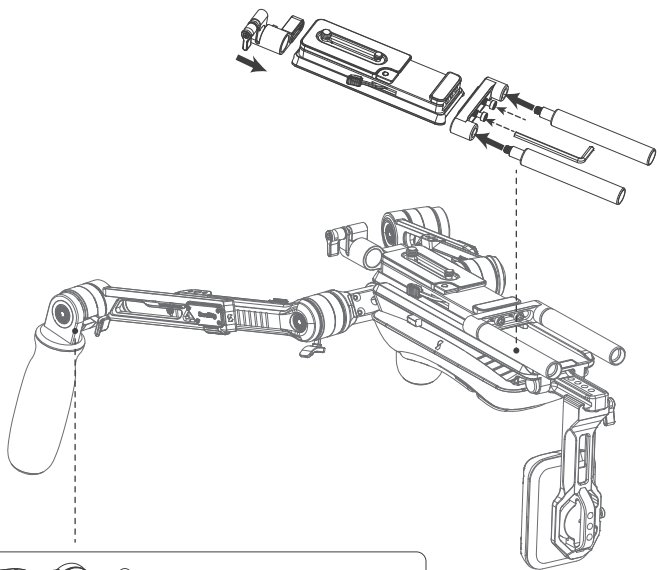
4



5



6



! 15mm rod clamp and rod can be attached to the quick release plate, and the handles can be replaced with ARRI rosette handles to cater to your needs.
根据使用需求，可安装15mm管夹和15mm管，也可将手柄替换成阿莱齿轮手柄。

Specifications / 产品参数

Product Dimensions 产品尺寸	16.4 × 16.4 × 8.2in 416.5 × 416.5 × 208.2mm
Product Weight 产品重量	68.3 ± 0.4oz 1937.0 ± 10.0g
Compatibility 兼容性	Mirrorless cameras and small to medium sized camcorder. 微单相机及中小型电影机

Service & Warranty

Please keep your original receipt and guarantee card. Be sure the dealer has written on it the date of purchase and SN of the product. These are required for warranty service.

After-sale Warranty Terms

SmallRig products are entitled to warranty services as of the date of payment.

- Electronic products (except V mount battery): 1-year warranty.
- V mount battery: 2-year warranty.
- Non-electronic products: 2-year warranty.

Note: In case of any conflict between our warranty period policy and applicable laws and regulations of the country / region where the products are sold, the latter shall prevail.

This Warranty Does Not Cover

1. If users fail to adhere to the "Operating Instruction" or any "Warnings" stated in the user manual, resulting in a quality failure, it falls outside the scope of warranty coverage.
2. The product identification or SN label is removed or defaced in any way.
3. Product damage caused by problems not attributable to the quality of the products such as improper use of the products.
4. Product damage caused by unauthorized modification, disassembly, repair and other acts.
5. Product damage caused by fires, floods, lightning and other force majeure factors.

Warranty Mode

- For the products within the scope of warranty, SmallRig will repair or replace them on the basis of specific failures; the repaired / replaced products / parts are entitled to the remaining part of the original warranty period.

Contact Information

- You're advised to contact the online customer service personnel of corresponding shopping platform and submit a repair service application.
- You may also apply for repair service through SmallRig's service email.

Service Email: support@smallrig.com

保修条款

请保留您的原始购买单据及保修卡,同时包含您的购买日期、产品序列号等,这些资料质保服务时均需要提供。

售后质保条款

SmallRig产品自下单付款之日起享有质保服务。

- 电子产品(除V口电池): 1年质保。
- V口电池: 2年质保。
- 非电子产品: 2年质保。

注:若销售地国家或地区的适用法律法规有冲突的,以销售地国家或地区有关质保期的法律法规为准。

质保无效说明

1. 当用户违反操作指引或用户手册中“重要提示”任何一条导致的质量失效,不在质保范围内。
2. 产品序列号标识已经被撕毁或无法辨识,不在质保范围。
3. 产品使用不当等非产品本身质量问题,而造成的产品损坏,不在质保范围。
4. 非官方指导的私自改装、拆解、维修等行为而造成的损坏,不在质保范围。
5. 因火灾、水灾、雷击等不可抗力造成的产品损坏,不在质保范围。

维修方式

- 属于质保范围的,SmallRig根据产品具体的故障对产品进行维修或更换;维修后的产品/部件享受原有保修期的剩余时长。

联系方式

- 建议您优先前往相应购买平台联系在线客服,提出产品维修申请。
- 您也可以通过 SmallRig 服务邮箱申请维修服务。

服务邮箱:support@smallrig.com



WE ARE HERE FOR YOU
服务与支持



ETICHETTATURA AMBIENTALE
ENVIRONMENTAL LABELING

Guarantee Card / 保修卡

ID No. ID 编号	
Item Name 产品名称	
Purchase Date 购买日期	
User Name 用户姓名	
Mobile 用户电话	
Address 用户地址	
Receipt 购买单据	

执行标准: GB/T 26572-2011

LQ-P1428-18

Manufacturer Email: support@smallrig.com

Manufacturer: Shenzhen Leqi Innovation Co., Ltd.

制造商: 深圳市乐其创新股份有限公司

Add: Rooms 101, 701, 901, Building 4, Gonglianfuji Innovation Park, No. 58, Ping'an Road,
Dafu Community, Guanlan Street, Longhua District, Shenzhen, Guangdong, China.

地址: 中国广东省深圳市龙华区观澜街道大富社区平安路58号共联富基创新园4栋101、
701、901

Consignor: Shenzhen LC Co., Ltd.

委托商: 深圳市乐长科技有限公司

Add: Room 201, Building 4, Gonglianfuji Innovation Park, No. 58, Ping'an Road,

Dafu Community, Guanlan Street, Longhua District, Shenzhen, Guangdong, China.

地址: 中国广东省深圳市龙华区观澜街道大富社区平安路58号共联富基创新园4栋201

EC REP GAVIMOSA CONSULTORIA, SOCIEDAD LIMITADA,
CASTELLANA 9144, 28046 Madrid,
compliance.gavimosa@outlook.com

UK REP Sea&Mew Accounting Ltd.
Electric Avenue Vision 25, London, Enfield EN3 7GD,
info@seamew.net



Séparez les éléments avant de trier



RoHS



Made in China

中国制造