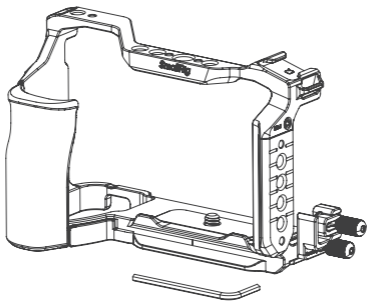


# SmallRig



## HawkLock Quick Release Cage Kit for Sony Alpha 6700

索尼 Alpha 6700 迅鷹快拆拓展框套件

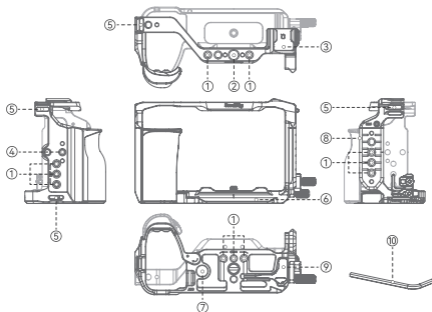
Operating Instruction / 操作指引

- Thank you for purchasing SmallRig's product.  
感谢您购买 SmallRig 产品。

## In the Box / 包装清单

Cage 拓展框	× 1	HDMI Cable Clamp HDMI 线夹	× 1
Allen Wrench L形扳手	× 1	Operating Instruction 操作指引	× 1
Guarantee Card 保修卡	× 1		

## Product Details / 产品介绍

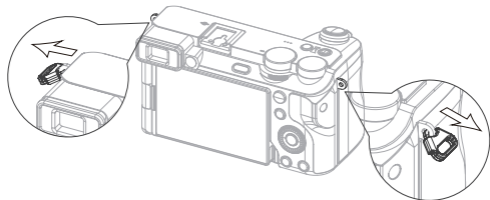


- |  |                                    |                            |
|--|------------------------------------|----------------------------|
| ① 1/4"-20 Threaded Hole<br>1/4"-20 螺纹孔 | ④ 1/4"-20 Locating Hole<br>1/4 定位孔 | ⑦ QD Socket<br>QD 接口       |
| ② ARRI 3/8"-16 Locating Hole<br>阿莱定位孔  | ⑤ Strap Slot<br>肩带 / 腕带接口          | ⑧ NATO Rail<br>滑条          |
| ③ Cold Shoe Mount<br>冷靴                | ⑥ Arca-Swiss Plate<br>阿卡规格快装板      | ⑨ Dual Head Wrench<br>双头扳手 |
|  |                                    | ⑩ Allen Wrench<br>L型扳手     |

## Cage Installation / 拓展框安装步骤

Step 1: Remove the camera lens and the shoulder strap hooks on both sides.

第一步：取下相机镜头和双侧肩带环。

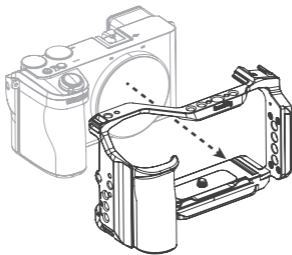


\* The package does not include the camera.

\* 相机机身需另购

Step 2: Put the camera into the cage from the back.

第二步：将相机从后往前放入拓展框。

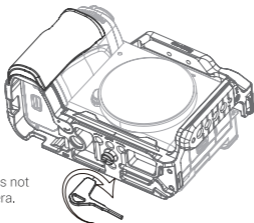


\* The package does not include the camera.

\* 相机机身需另购

**Step 3: Use the double head wrench to secure the cage by tightening the 1/4"-20 screw.**

第三步：通过双头扳手拧紧底部1/4"-20 螺丝，锁紧固定拓展框。

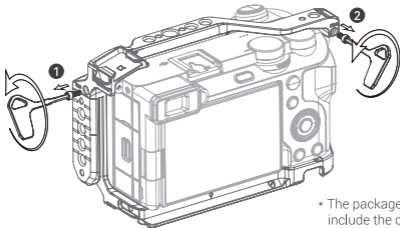


\* The package does not include the camera.

\* 相机机身需另购

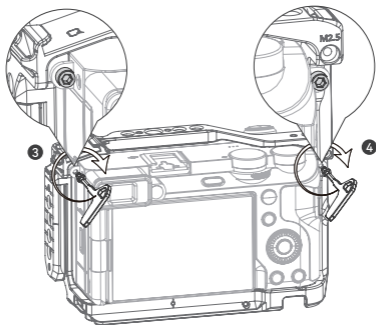
**Step 4: Use the double head wrench to remove the M2.5 screws on both sides of the cage, align it with the shoulder strap slots, and then use the double head wrench to tighten the M2.5 screws on both sides.**

第四步：用双头扳手将双侧M2.5螺丝从相机取出，对准相机两侧肩带槽，通过双头扳手拧紧双侧M2.5螺丝，固定拓展框和相机。



\* The package does not include the camera.

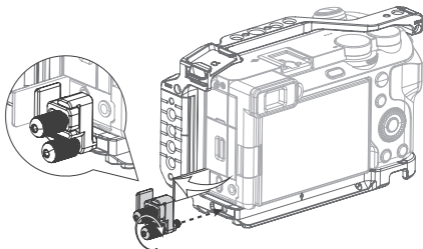
\* 相机机身需另购



## Cable Clamp Installation Instructions / 线夹安装步骤

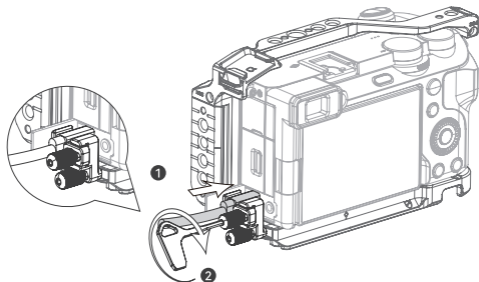
Step 1: Open the camera HDMI interface, align the thumbscrew to the corresponding position, and lock it to the cage.

第一步：打开相机HDMI接口盖，通过手拧螺丝将线夹对准相应位置锁紧至拓展框。



Step 2: Insert the cable and tighten the thumbscrews to secure the cable.

第二步：插入线材，通过手拧螺丝锁紧固定线材。



\* The package does not include the camera.

\* 相机机身需另购

## Specifications / 产品参数

Product Dimensions 产品尺寸	5.6 × 2.8 × 3.6in 142.0 × 70.0 × 91.0mm
Product Weight 产品重量	6.4 ± 0.2oz 182.0 ± 5.0g
Material (s) 主要材质	Aluminum Alloy, Silicone 铝合金、硅胶
Compatibility 适配性	Sony Alpha 6700 索尼 Alpha 6700

\* Specifications subject to change without prior notice. Please refer to the physical product for the most up-to-date information.

技术参数如有改动，以实物为准，恕不另行通知。

Manufacturer Email: support@smallrig.com

Manufacturer: Shenzhen Leqi Innovation Co., Ltd.

Add: Rooms 101, 701, 901, Building 4, Gonglianfuji Innovation Park, No. 58, Ping'an Road,  
Dafu Community, Guanlan Street, Longhua District, Shenzhen, Guangdong, China.

制造商: 深圳市乐其创新股份有限公司

地址: 中国广东省深圳市龙华区观澜街道大富社区平安路58号共联富基创新园4栋101、701、901

Consignor: Shenzhen LC Co., Ltd.

Add: Room 201, Building 4, Gonglianfuji Innovation Park, No. 58, Ping'an Road,  
Dafu Community, Guanlan Street, Longhua District, Shenzhen, Guangdong, China.

委托商: 深圳市乐长科技有限公司

地址: 中国广东省深圳市龙华区观澜街道大富社区平安路58号共联富基创新园4栋201

执行标准: GB/T 26572-2011

**RoHS** **CE**



FR  
**LE TRI**  
**+ FACILE**



Boîte 1

Papier 5

*Séparez les éléments avant de trier*



中国制造

Made in China

LQ-P1424-18

**SmallRig**

—FREE YOUR DREAM—