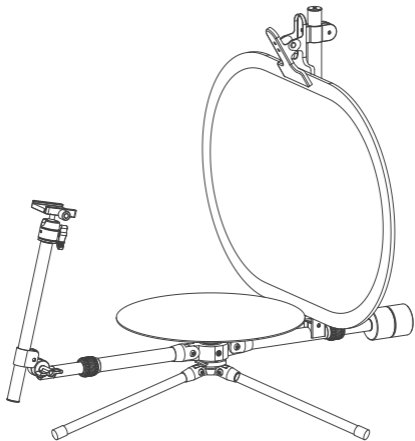


# SmallRig



Professional 12" 360°  
Photography Turntable

12" 360° 旋转拍摄台

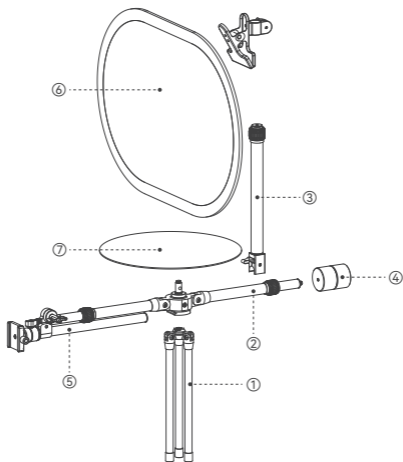
Operating Instruction / 操作指引

- Thank you for purchasing SmallRig's product.  
感谢您购买 SmallRig 产品。
- Please read this Operation Guide carefully.  
使用本产品之前，请仔细阅读操作指引。
- Please follow the safety warnings.  
请注意所有警告提示并遵循使用操作指引的所有指令。

## In the Box / 包装清单

Desktop Support Tripod 桌面脚撑	× 1
Swing Arm 旋臂	× 1
Backdrop Vertical Pole 背景板竖杆	× 1
Counterweight 配重块	× 2
Camera Vertical Pole 相机竖杆	× 1
Collapsible Backdrop 折叠背景板	× 1
Round Stand 载物台	× 1
Guarantee Card 保修卡	× 1

## Product Details / 产品介绍



① Desktop Support Tripod  
桌面脚撑

② Swing Arm  
旋臂

③ Backdrop Vertical Pole  
背景板竖杆

④ Counterweight  
配重块

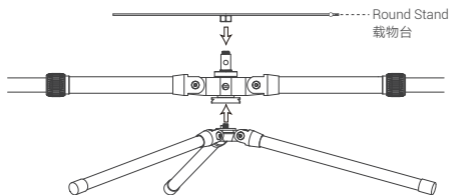
⑤ Camera Vertical Pole  
相机竖杆

⑥ Collapsible Backdrop  
折叠背景板

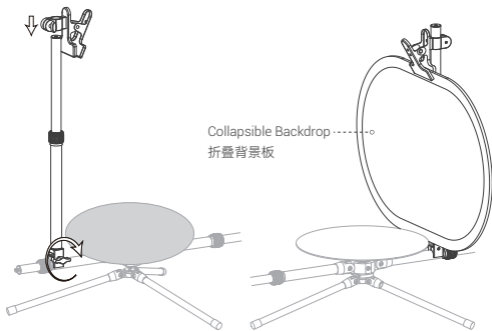
⑦ Round Stand  
载物台

## Installation / 安装步骤

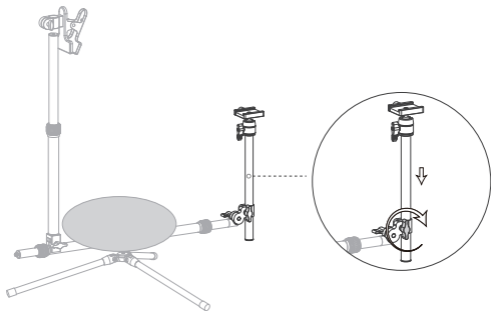
### 1 Installation of the arm body / 旋臂主体的安装



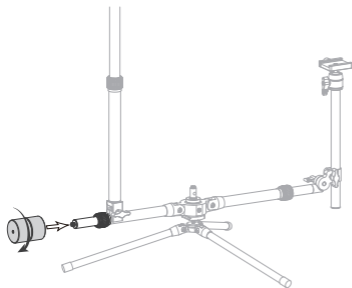
### 2 Installation of Backdrop / 背景板的安装



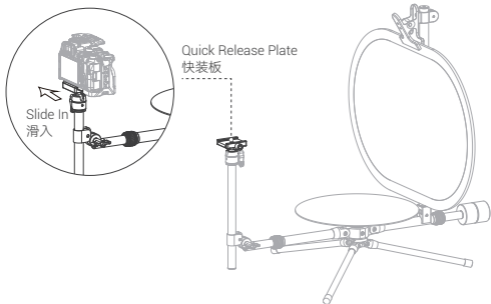
### 3 Installation of the camera vertical rod / 相机竖杆的安装



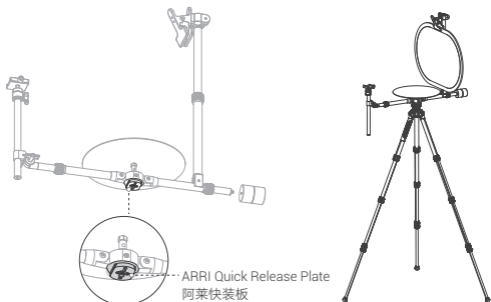
### 4 Installation of counterweights / 配重的安装



## 5 Camera Installation / 相机的安装



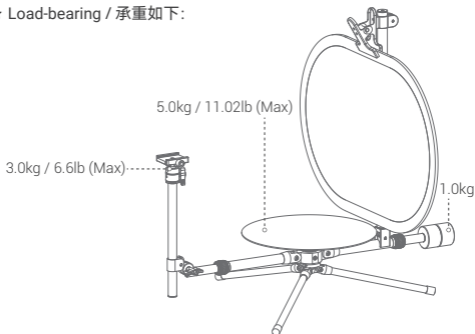
## 6 How to use with a tripod / 与三角架配合使用的方法



## Note / 注意事项

1. Avoid exposing the bearing part to water, rain, or foreign objects.  
轴承部分请勿触水、淋雨、卡入异物。
2. Ensure the weight is balanced at both ends of the rotation arm during use.  
使用时需要将旋臂两端重量配平。
3. Exercise caution when installing or removing the camera to prevent tipping due to uneven weight distribution.  
安装与取出相机时，谨防因为配重不同而侧翻。
4. The maximum weight capacity of the ball head is 3kg / 6.6lb.  
球头云台最大承重3Kg。
5. The maximum weight capacity of the base is 5kg / 11.02lb.  
台面最大承重5kg。
6. When using with a tripod, pay attention to the weight capacity of the head.  
配合三脚架使用时，请注意您云台的承重能力。

### ★ Load-bearing / 承重如下：



## Product Parameters / 产品参数

Product Dimensions 产品尺寸	30.1 × 23.6 × 25.6in 765.5 × 600.0 × 650.0mm
Product Weight 产品重量	3.6kg / 7.9lb
Material(s) 主要材质	Aluminum Alloy, Iron, ABS 铝合金、铁、ABS

\* Specifications subject to change without prior notice. Please refer to the physical product for the most up-to-date information.

技术参数如有改动，以实物为准，恕不另行通知。

执行标准：GB/T 26572-2011

Manufacturer Email: support@smallrig.com

Manufacturer: Shenzhen Leqi Innovation Co., Ltd.

Add: Rooms 101, 701, 901, Building 4, Gonglianfuji Innovation Park, No. 58, Ping'an Road, Dafu Community, Guanlan Street, Longhua District, Shenzhen, Guangdong, China.

制造商：深圳市乐其创新股份有限公司

地址：中国广东省深圳市龙华区观澜街道大富社区平安路58号共联富基创新园4栋101、701、901

Consignor: Shenzhen LC Co., Ltd.

Add: Room 201, Building 4, Gonglianfuji Innovation Park, No. 58, Ping'an Road, Dafu Community, Guanlan Street, Longhua District, Shenzhen, Guangdong, China.

委托商：深圳市乐长科技有限公司

地址：中国广东省深圳市龙华区观澜街道大富社区平安路58号共联富基创新园4栋201

Made in China

中国制造



Séparez les éléments avant de trier