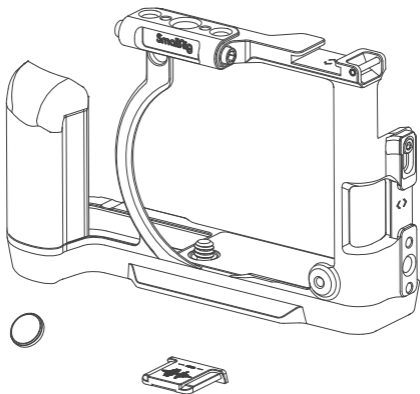


SmallRig



“Retro” Cage for FUJIFILM X100VI

富士 X100VI “时光机” 相机拓展框

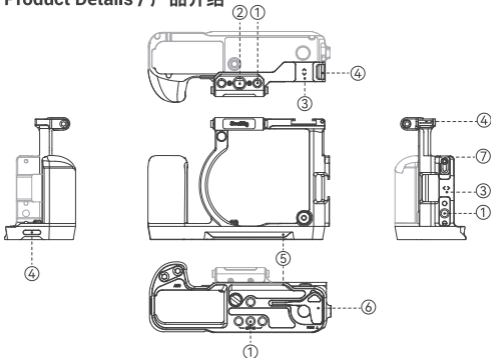
Operating Instruction / 操作指引

- Thank you for purchasing SmallRig's product.
感谢您购买 SmallRig 产品。
- Please read this Operation Guide carefully.
使用本产品之前，请仔细阅读操作指引。
- Please follow the safety warnings.
请注意所有警告提示并遵循使用操作指引的所有指令。

In the Box / 包装清单

1. Cage	× 1	1. 拓展框	× 1
2. Hot Shoe Cover	× 1	2. 热靴盖	× 1
3. Shutter Release Button	× 1	3. 快门按钮	× 1

Product Details / 产品介绍



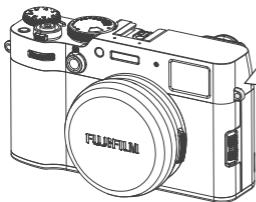
- | | | |
|--|---------------------------------------|----------------------------|
| ① 1/4"-20 Threaded Hole
1/4"-20 螺纹孔 | ② ARRI 3/8"-16 Locating Hole
阿莱定位孔 | ③ Cold Shoe Mount
冷靴 |
| ④ Strap Slot
肩带 / 腕带接口 | ⑤ Arca-Swiss Plate
阿卡规格快装板 | ⑥ Dual Head Wrench
双头扳手 |
| ⑦ Locating Block
定位压块 | | |

Cage Installation

拓展框安装步骤

Remove the D-ring on the right side of the camera before installing the cage.

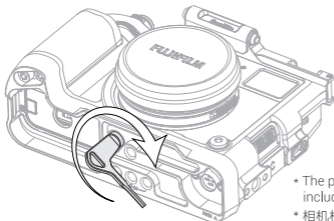
取下相机右侧肩带环。



- * The package does not include the camera
- * 相机机身需另购

Step1: Install the camera into the cage from behind and lock the cage by tightening the 1/4"-20 screw with a dual head wrench.

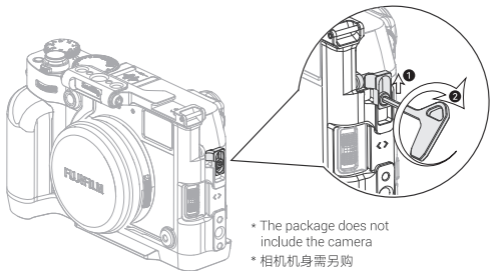
第一步：将相机从后往前放入拓展框，通过1/4"-20螺丝将相机与拓展框锁紧固定。



- * The package does not include the camera
- * 相机机身需另购

Step2: Loosen the screw, push the locating block upward toward the shoulder strap slot, and tighten the screw.

第二步：拧松螺丝，向上推动定位压块直到固定住肩带孔，然后锁紧螺丝。



Specifications

产品参数

Compatibility 兼容性	富士 X100VI
Product Dimensions 产品尺寸	137.2 × 53.6 × 92.3mm / 5.4 × 2.1 × 3.6in
Product Weight 产品重量	133 ± 5g / 4.7 ± 0.2oz
Material (s) 主要材质	Aluminum Alloy, Wooden 铝合金、木头

Manufacturer Email: support@smallrig.com

Manufacturer: Shenzhen Leqi Innovation Co., Ltd.

Add: Rooms 101, 701, 901, Building 4, Gonglianfuji Innovation Park, No. 58, Ping'an Road,
Dafu Community, Guanlan Street, Longhua District, Shenzhen, Guangdong, China.

制造商: 深圳市乐其创新股份有限公司

地址: 中国广东省深圳市龙华区观澜街道大富社区平安路58号共联富基创新园4栋101、701、901

Consignor: Shenzhen LC Co., Ltd.

Add: Room 201, Building 4, Gonglianfuji Innovation Park, No. 58, Ping'an Road,
Dafu Community, Guanlan Street, Longhua District, Shenzhen, Guangdong, China.

委托商: 深圳市乐长科技有限公司

地址: 中国广东省深圳市龙华区观澜街道大富社区平安路58号共联富基创新园4栋201

执行标准: GB/T 26572-2011

RoHS  



合格证
已检验



中国制造

Made in China