

# SmallRig

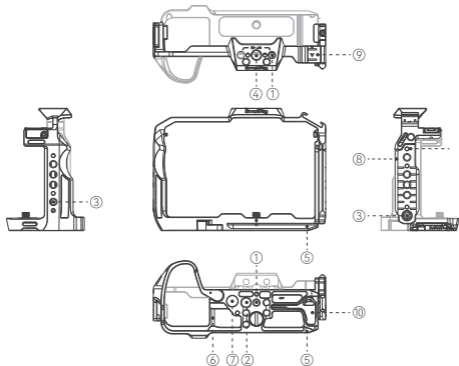


## Cage for FUJIFILM X-H2 / X-H2S 富士X-H2 / X-H2S 多功能拓展框

Operating Instruction / 操作指引

- Thank you for purchasing SmallRig's product.  
感谢您购买 SmallRig 产品。
- Please read this Operating Instruction carefully.  
使用本产品之前，请仔细阅读操作指引。
- Please follow the safety warnings.  
请注意所有警告提示并遵循使用操作指引的所有指令。

## Product Details / 产品介绍



- |   |                                 |
|---|---------------------------------|
| ① 1/4"-20 Threaded Hole<br>1/4"-20 螺纹孔            | ⑥ Strap Slot<br>肩带 / 腕带接口       |
| ② 3/8"-16 Threaded Hole<br>3/8"-16 螺纹孔            | ⑦ QD Socket<br>QD 接口            |
| ③ 1/4"-20 Locating Hole<br>1/4"-20 定位孔            | ⑧ H21 NATO Rail<br>H21 滑条       |
| ④ ARRI 3/8"-16 Locating Hole<br>阿莱(ARRI) 定位孔      | ⑨ H18 Cold Shoe Mount<br>H18 冷靴 |
| ⑤ H38 Arca-Swiss Quick Release Plate<br>快拆阿卡规格快装板 | ⑩ Dual-Head Wrench<br>双头扳手      |

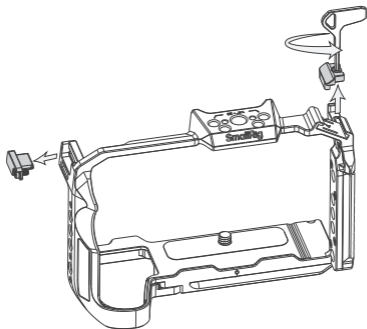
## In the Box / 包装清单

Cage	× 1
拓展框	
HDMI Cable Clamp	× 1
HDMI 线夹	
Operating Instruction	× 1
操作指引	
Guarantee Card	× 1
保修卡	

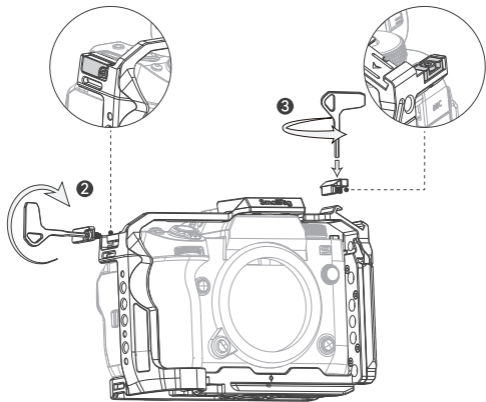
## Cage Installation / 拓展框安装步骤

1. Before installation, please use the Dual-Head Wrench to remove the side lock adapters on both sides of the cage first.

安装前，请先使用双头扳手，取下拓展框两侧定位压块。



- Put the camera into the cage from back to the front, and then secure the cage use the Dual-Head Wrench to tighten the 1/4"-20 screw at the base.  
将相机从后往前放入相机拓展框, 然后用双头扳手拧紧底部1/4"-20 螺丝, 锁紧固定拓展框。
- Secure the cage and camera strap slots by tightening two locating blocks on the sides of the cage.  
通过双侧定位压块, 锁紧固定拓展框和相机肩带槽。



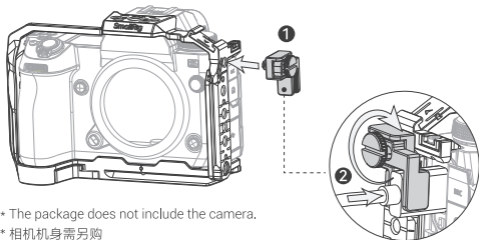
- \* The package does not include the camera.
- \* 相机机身需另购



## HDMI Cable Clamp Installation / HDMI线夹安装

1. Insert the HDMI cable; Secure the cable clamp and HDMI cable by tightening the 1/4"-20 screw.

插入HDMI线，通过拧紧1/4"-20 螺丝，锁紧固定线夹和HDMI线头。



- \* The package does not include the camera.
- \* 相机机身需另购

## Specifications / 产品参数

Product Dimensions 产品尺寸	5.9 × 2.7 × 4.2in 150.5 × 68.0 × 107.2mm
Product Weight 产品重量	6.3 ± 0.2oz 178.0 ± 5.0g
Material (s) 主要材质	Aluminum Alloy 铝合金
Compatibility 适配性	FUJIFILM X-H2, FUJIFILM X-H2S 富士X-H2, 富士X-H2S

\* Specifications subject to change without prior notice. Please refer to the physical product for the most up-to-date information.

技术参数如有改动，以实物为准，恕不另行通知。

Manufacturer: Shenzhen Leqi Innovation Co., Ltd.

Add: Rooms 103, 501 and 601, Building 5, Fenghe Industrial Park, Nos. 1301-50 Guanguang Road, Longhua District, Shenzhen, Guangdong, China.

制造商: 深圳市乐其创新股份有限公司

地址: 中国广东省深圳市龙华区观澜街道新澜社区观光路 1301-50 号丰和工业园厂房 5 栋 103、501、601

Consignor: Shenzhen LC Co., Ltd.

Add: Rooms 602, Building 5, Fenghe Industrial Park, No. 1301-50 Guanguang Road, Xinlan Community, Guanlan Street, Longhua District, Shenzhen, Guangdong, China.

委托商: 深圳市乐长科技有限公司

地址: 中国广东省深圳市龙华区观澜街道新澜社区观光路 1301-50 号丰和工业园厂房 5 栋 602

执行标准: GB/T 26572-2011

LQ-P1388-18



**RoHS**



中国制造

Made in China