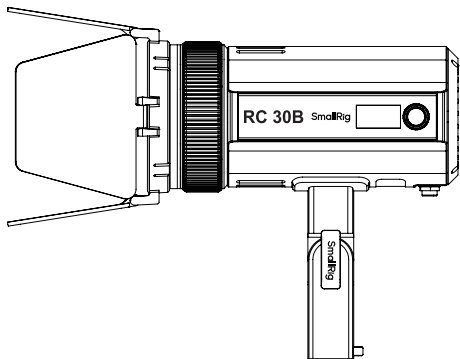


SmallRig



RC30B 变焦 COB 补光灯

用户手册

感谢您购买 SmallRig 产品。

重要提示

1. 请认真阅读本使用指南。
2. 请妥善保管使用指南，将产品交给他人使用时，请务必附带本使用指南。
3. 请注意所有警告提示并遵守使用指南内的所有指令。
4. 当儿童靠近设备或使用设备时，必须进行密切监督。在使用设备时，请勿将设备置于无人看管状态。
5. 小心接触高温部件防止被烫伤。
6. 请勿操作电源线损坏的设备以及掉落或损坏的设备，直到合格的维修人员检查过。
7. 请归置好电源线，防止被电源线绊倒或拉扯电源线导致设备断电，且电源线不可接触灼热表面。
8. 如果需要延长线，应使用额定电流至少等于设备额定电流的延长线。额定电流小于设备的电线可能会过热。
9. 在清洁和维修之前以及不使用时，务必从电源插座上拔下电器插头。切勿拉扯电线从插座拔出插头，应抓住插头拔出。
10. 在存放前让设备完全冷却。存放时，请将电源线从设备上拔出，待冷却后归置在手提包对应的位置。
11. 为降低电击风险，请勿将本产品浸入水中或其他液体中。
12. 为降低电击风险，请勿私自拆卸本产品，在需要维修时，将其交给专业的维修人员。不正确的重装可能会在后续使用设备时引起电击。
13. 使用非制造商推荐的配件可能会引起火灾、电击或造成人身伤害。
14. 请将本产品连接到接地插座。
15. 本产品工作时，请勿遮挡散热孔，勿直视COB灯珠，任何情况下不要触摸COB灯珠。（请勿触碰COB标识）
16. 勿将本产品置于液体或其他易燃，易挥发溶剂附近，避免损坏产品。
17. 请用软布、干布清洁本设备。
18. 请勿在潮湿的环境下使用本设备，否则有短路或电击的危险。
19. 需要维修时请联系授权的维修人员。本设备内有精密电子线路。未经许可，擅自拆卸导致故障，不在本公司保修范围内，但用户可以付费维修。
20. 本产品已通过RoHS、CE、RCM和FCC认证。请参考相关国家标准使用和操作。因操作不当而造成机器损坏，不在保修范围内，但用户可以付费维修。
21. 此使用指南依据本公司严格测试制定。设计和规格如有变更，恕不另行通知。

FCC符合声明

此设备符合FCC规则第15部分中的规范。操作设备须符合以下两个条件：

- (1) 此设备不会导致有害干扰；
- (2) 此设备可承受任何外来干扰，包括可能导致非预期操作的干扰。

警告：如果用户未经SmallRig明确许可而进行改动或改装，可能会丧失继续操作该设备的权利。

注：此设备经测试确定符合B类数码设备（依照FCC规则第15部分规范）的限制。这些限制的设计旨在为居住场所安装条件下的有害干扰提供合理的保护。此设备生成、使用并可以发射射频能量。如果未按照指示安装和使用，可能对无线电通信造成有害干扰。但是，在特定安装条件下，不保证这类干扰不会发生。如果此设备确实对无线电或电视机接收信号造成有害干扰，而这点可以通过关闭和打开设备来确定，那么建议用户尝试使用以下一种或多种措施来消除干扰：

- 扩大设备与接收器之间的距离。
- 将设备连接到其他电路的插座中，而不是接收器所连接电路的插座。
- 咨询经销商或有经验的无线电/电视机技术人员以获得帮助。

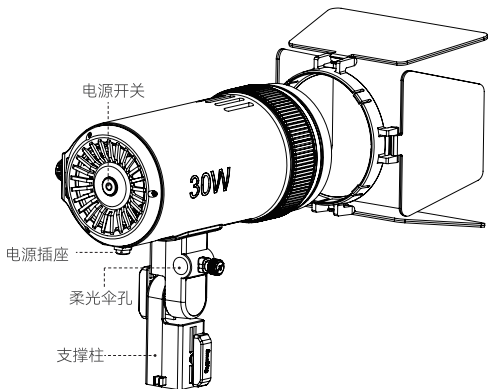
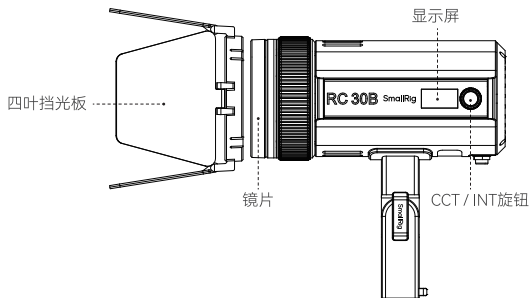
FCC 辐射暴露声明

本设备符合FCC针对未受控制环境所制定的辐射暴露限制。

包装清单

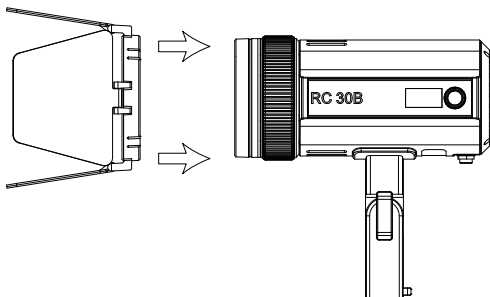
RC 30B 摄影补光灯	× 1
四叶挡光板	× 1
电源适配器	× 1
用户手册	× 1

产品介绍

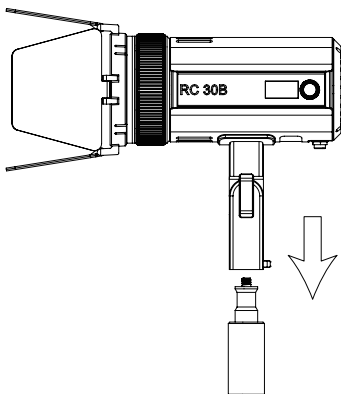


安装步骤

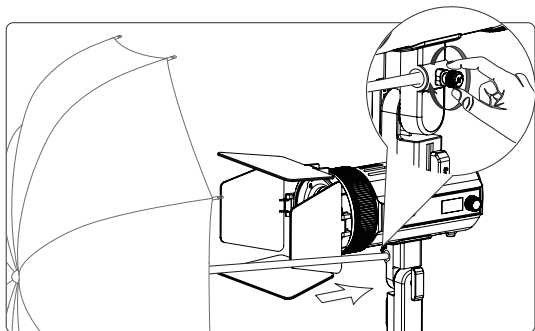
1. 四页挡光板的安装：按照图示箭头的方向将四页挡光板安装在灯体上。



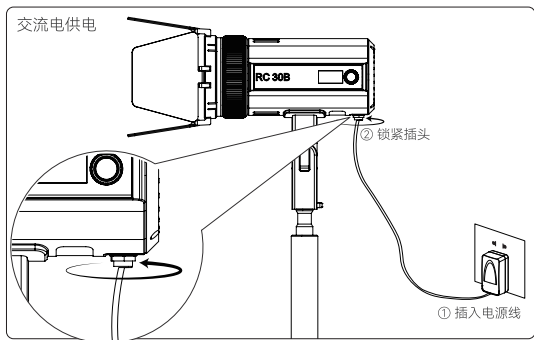
2. 固定灯体：调节灯体到合适的角度，旋转紧固旋钮固定灯体在三脚架上。



3. 柔光伞安装:将柔光伞伞柄插入伞孔内, 锁紧伞孔上的旋钮。



供电



注: 拔出电源线时, 请先松开插头上的锁紧装置, 切勿硬拔。

操作

1. 接通电源，打开灯体电源开关。

2. 灯光控制。

2.1. 亮度调节：旋转CCT / INT调节旋钮，以1%的变量调节亮度，亮度变化范围为0-100%，并且在灯体显示屏上实时显示0 ~ 100%的变化。

2.2. 色温调节

A. 按压CCT / INT旋钮，切换到CCT模式。

B. 旋转旋钮，色温调节范围为2700K ~ 6500K。

2.3. 光照角度调节：调节灯头前方变焦环，光照角度在15° ~ 60°之间变化。

产品参数

灯体工作电流	1.5A
灯体工作电压	24V
适配器工作电压	AC 100 ~ 240V 50 / 60Hz
色温	2700K ~ 6500K(±200K)
尺寸 (长宽高)	160 × 85 × 115mm
功耗	36W
散热方式	主动散热
CRI & TLCI	97+
供电方式	AC
重量	570g

亮度测试数据表

色温	亮度(15°)	亮度(60°)
2700K	9240(lux)	1200(lux)
3200K	9660(lux)	2390(lux)
5600K	10900(lux)	2700(lux)
6500K	11400(lux)	2800(lux)

保修条款

请保留您的原始购买单据及保修卡,同时包含您的购买日期、产品序列号等,这些资料质保服务时均需要提供。

售后质保条款

SmallRig产品自下单付款之日起享有质保服务。

- 电子产品(除V口电池): 1年质保。
- V口电池: 2年质保。
- 非电子产品: 2年质保。

注:若销售地国家或地区的适用法律法规有冲突的,以销售地国家或地区有关质保期的法律法规为准。

质保无效说明

1. 当用户违反操作指引或用户手册中“重要提示”任何一条导致的质量失效,不在质保范围内。
2. 产品序列号标识已经被撕毁或无法辨识,不在质保范围。
3. 产品使用不当等非产品本身质量问题,而造成的产品损坏,不在质保范围。
4. 非官方指导的私自改装、拆解、维修等行为而造成的损坏,不在质保范围。
5. 因火灾、水灾、雷击等不可抗力造成的产品损坏,不在质保范围。

维修方式

- 属于质保范围的,SmallRig 根据产品具体的故障对产品进行维修或更换;维修后的产品 / 部件享受原有保修期的剩余时长。

联系方式

- 建议您优先进往相应购买平台联系在线客服,提出产品维修申请。
- 您也可以通过 SmallRig 服务邮箱申请维修服务。

服务邮箱: support@smallrig.com

保修卡

ID编号	
产品名称	
购买日期	
用户姓名	
用户电话	
用户地址	
购买单据	

LQ-P1174-18

制造商: 深圳市乐其创新股份有限公司

地址: 中国广东省深圳市龙华区观澜街道新澜社区观光路 1301-50 号丰和工业园厂房 5 栋 103、501、601

委托商: 深圳市乐长科技有限公司

地址: 中国广东省深圳市龙华区观澜街道新澜社区观光路1301-50号丰和工业园厂房 5 栋 602

CE RoHS FC

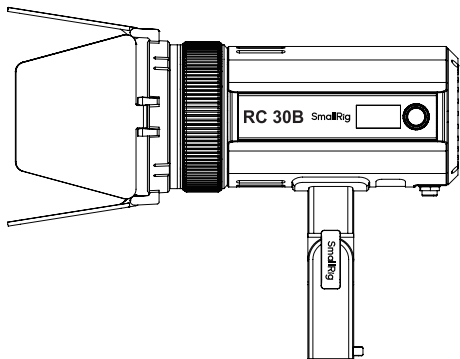


执行标准: GB 7000.1-2015

中国制造



SmallRig



RC 30B COB LED Video Light

User Manual

Thank you for purchasing SmallRig's product.

Warnings

1. Please read this User Manual carefully.
2. Keep this User Manual and always include it when passing the product onto the third party.
3. Heed all warnings and follow all instructions in this User Manual.
4. Close supervision is necessary when any fixture is used by or near children. Do not leave the fixture unattended while in use.
5. Care must be taken as burns can occur from touching hot surfaces.
6. Do not operate the fixture if a cord is damaged or if the fixture has been dropped or damaged until it has been examined by qualified service personnel.
7. Position any power cables so that they will not be tripped over, pulled or put into contact with hot surfaces.
8. If an extension cord is necessary, a cord with an amperage rating at least equal to that of the fixture should be used. Cords rated for less amperage than the fixture may overheat.
9. Always unplug the lighting fixture from the electrical outlet before cleaning and servicing or when not in use. Never yank the cord to remove the plug from the outlet.
10. Let the lighting fixture cool completely before storing.
11. To reduce the risk of electric shock, do not immerse this fixture in water or any other liquids.
12. To reduce the risk of fire or electric shock, do not disassemble this fixture. Contact smallrig@smallrig.com or take it to qualified service personnel when service or repair work is required.
13. The use of an accessory attachment not recommended by the manufacturer may increase the risk of fire, electric shock, or injury to any person operating the fixture.
14. Power this fixture by connecting it to a grounded outlet.
15. Please do not block the ventilation and do not look at the light directly when it is powered on.
16. Please do not place the LED lighting fixture near any liquids or other flammable objects.
17. Only use a dry microfiber cloth to clean the product.
18. Please have the product checked by an authorized service personnel agent if your product has a problem.
19. The malfunctions caused by unauthorized disassembly are not covered under the warranty.
20. We recommend only using the original SmallRig cable accessories. Please note that our warranty for this product does not apply to any repairs required due to any malfunctions of unauthorized SmallRig accessories, although you may request such repairs for a fee.
21. This product is certified by RoHS,CE,RCM and FCC. Please operate the product in full compliance with the operation standards. Please note that this warranty does not apply to repairs arising from malfunctions, although you may request such repairs on a chargeable basis.
22. The instructions and information in this manual are based on thorough, controlled company testing procedures. Further notice will not be given if the design or specifications change.

FCC Compliance Statement

This device complies with Part 15 of the FCC Rules. Operation is subject to the following two conditions:

(1) This device may not cause harmful interference.

(2) This device must accept any interference received, including interference that may cause undesired operation.

Warning: Changes or modifications not expressly approved by the party responsible for compliance could void the user's authority to operate the equipment.

Note: This equipment has been tested and found to comply with the limits for a Class B digital device, pursuant to Part 15 of the FCC Rules. These limits are designed to provide reasonable protection against harmful interference in a residential installation. This equipment generates, uses and can radiate radio frequency energy, if not installed and used in accordance with the instructions, may cause harmful interference to radio communications. However, there is no guarantee that interference will not occur in a particular installation. If this equipment does cause harmful interference to radio or television reception, which can be determined by turning the equipment off and on, the user is encouraged to try reorient or relocate the receiving antenna.

* Increase the separation between the equipment and receiver.

* Connect the equipment to an outlet in a different circuit than the receiver is connected to.

* Consult the dealer or an experienced radio/TV technician for help.

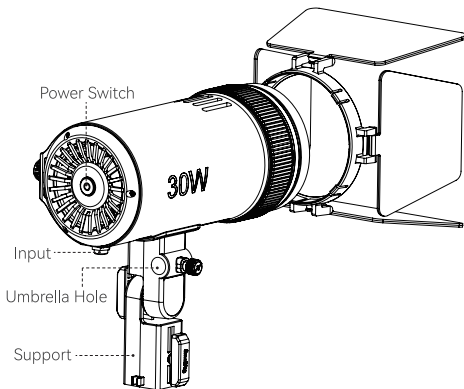
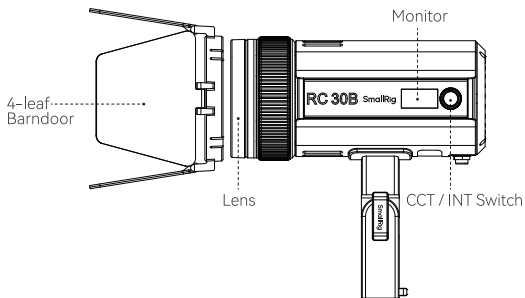
RF Warning Statement

This device has been evaluated to meet general RF exposure requirements.

In the Box

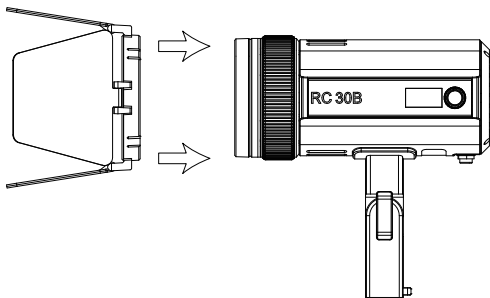
RC 30B COB LED Video Light	× 1
4-leaf Barndoor	× 1
AC Adapter	× 1
User Manual	× 1

Product Details

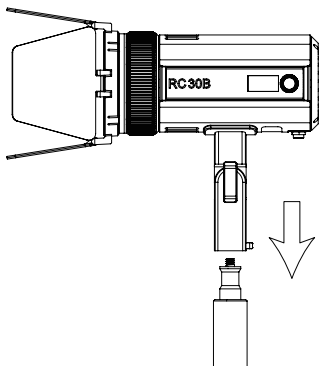


Installation Instruction

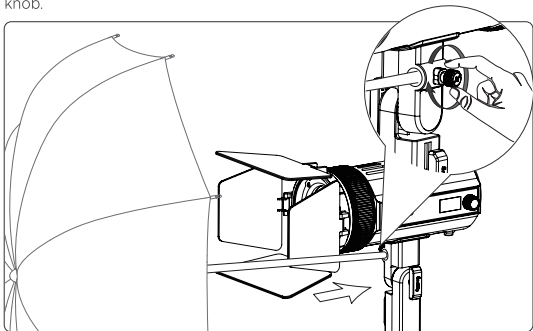
1. Install the 4-leaf barndoor on the light in the direction of the arrows shown.



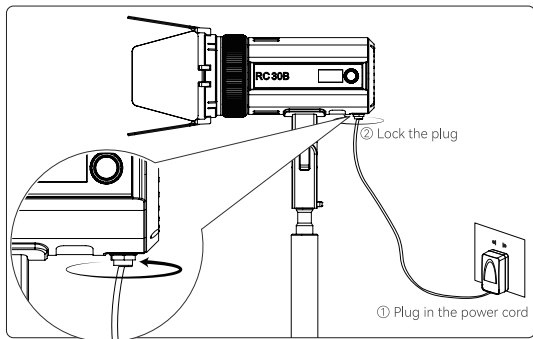
2. Adjust the light to the appropriate Angle and rotate the tightening knob to secure the light on the tripod.



3. Insert the handle of umbrella softbox into into the hole and lock the knob.



Power Supply



Notice: When pulling out the power cable, loosen the locking device on the plug first. Do not pull it out forcefully

Operations

1. Turn on the power and long press the Power button.

2. Light Control.

2.1. Brightness adjustment.

Rotate the CCT / INT knob to adjust the brightness with 1% variable and the brightness change range is 0 ~ 100%, the change of the brightness will be displayed in real time on the monitor.

2.2. Color Temperature Adjustment.

A. Press the CCT /INT knob and switch to CCT mode.

B. The CCT is adjusted between 2700K ~ 6500K.

2.3. Beam Angle adjustment: Adjust the zoom ring in front of the light head to change the light Angle between 15° ~ 60°.

Specifications

Light Operating Current	1.5A
Light Power Supply	24V
Adapter Power Supply	AC 100 ~ 240V 50 / 60Hz
Color Temperature	2700K ~ 6500K(±200K)
Size	160 × 85 × 115mm
Power Consumption	36W
Cooling Mode	Positive
CRI & TLCI	97+
Power supply	AC
Weight	570g

Photometrics

CCT	INT (15°)	INT (60°)
2700K	9240 (lux)	1200 (lux)
3200K	9660 (lux)	2390 (lux)
5600K	10900 (lux)	2700 (lux)
6500K	11400 (lux)	2800 (lux)

Service Warranty

Please keep your original receipt and guarantee card. Be sure the dealer has written on it the date of purchase and SN of the product. These are required for warranty service.

After-sale Warranty Terms

SmallRig products are entitled to warranty services as of the date of payment.

- Electronic products (except V mount battery): 1-year warranty.
- V mount battery: 2-year warranty.
- Non-electronic products: 2-year warranty.

Note: In case of any conflict between our warranty period policy and applicable laws and regulations of the country / region where the products are sold, the latter shall prevail.

This Warranty Does Not Cover

1. If users fail to adhere to the "Operating Instruction" or any "Warnings" stated in the user manual, resulting in a quality failure, it falls outside the scope of warranty coverage.
2. The product identification or SN label is removed or defaced in any way.
3. Product damage caused by problems not attributable to the quality of the products such as improper use of the products.
4. Product damage caused by unauthorized modification, disassembly, repair and other acts.
5. Product damage caused by fires, floods, lightning and other force majeure factors.

Warranty Mode

- For the products within the scope of warranty, SmallRig will repair or replace them on the basis of specific failures; the repaired / replaced products / parts are entitled to the remaining part of the original warranty period.

Contact Information

- You're advised to contact the online customer service personnel of corresponding shopping platform and submit a repair service application.
- You may also apply for repair service through SmallRig's service email.
Service Email: support@smallrig.com

Guarantee Card

ID No.	
Item Name	
Purchase Date	
User Name	
Mobile	
Address	
Receipt	

EC	REP
----	-----

Sea&Mew Accounting Ltd,
Electric Avenue Vision 25, London, Enfield EN3 7GD,
Billy Han, info@seamew.net

UK	REP
----	-----

GAVIMOSA CONSULTORIA, SOCIEDAD LIMITADA,
CASTELLANA 9144, 28046 Madrid,
Jorge Wilson, compliance.gavimosa@outlook.com

Manufacturer: Shenzhen Leqi Innovation Co., Ltd.

Add: Rooms 103, 501 and 601, Building 5, Fenghe Industrial Park, Nos. 1301-50
Guanguang Road, Longhua District, Shenzhen, Guangdong, China.

Consignor: Shenzhen LC Co., Ltd.

Add: Rooms 602, Building 5, Fenghe Industrial Park, No. 1301-50 Guanguang Road,
Xinlan Community, Guanlan Street, Longhua District, Shenzhen, Guangdong, China.

CE RoHS FC



FR
Cet appareil,
ses accessoires
et cordons
se recyclent

À DÉPOSER
EN MAGASIN

OU

À DÉPOSER
EN DÉCHÈTERIE

Points de collecte sur www.quefairedemesdechets.fr
Privilégiez la réparation ou le don de votre appareil !



WE ARE HERE FOR YOU
服务与支持

ETICHETTATURA AMBIENTALE
ENVIRONMENTAL LABELING



FR
LE TRI
+ FACILE



Séparez les éléments avant de trier



Made in China