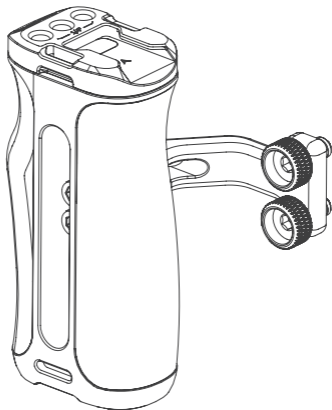


SmallRig



mini Side Handle
with 1/4" -20 Screws

迷你螺纹侧手柄

Operating Instruction / 操作指引

- Thank you for purchasing SmallRig's product.
感谢您购买 SmallRig 产品。
- Please read this Operation Guide carefully.
使用本产品之前，请仔细阅读操作指引。
- Please follow the safety warnings.
请注意所有警告提示并遵循使用操作指引的所有指令。

In the Box / 包装清单

Side Handle 手柄	× 1	Guarantee Card 保修卡	× 1
Handle Adapter 手柄连接件	× 1		

Specifications / 产品参数

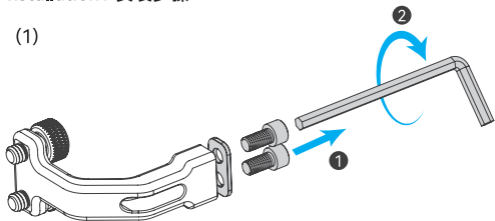
Product Dimensions 产品尺寸	4.1 × 2.7 × 2.1 in 105.5 × 69.4 × 53.8 mm
Product Weight 产品重量	5.5 ± 0.2oz 156.0 ± 5.0g
Material (s) 主要材质	PC+10%Gf, Silicone, Aluminum Alloy PC+10%Gf、硅胶、铝合金
Compatibility 适配性	Compatible with two 1/4"-20 threaded holes spaced 18mm / 0.7in apart 适配间距为18mm的两颗1/4"-20螺纹孔

* 技术参数如有改动，以实物为准，恕不另行通知。

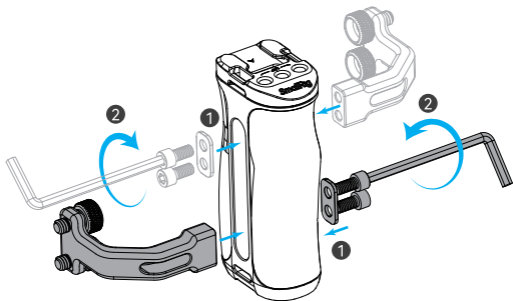
Specifications subject to change without prior notice. Please refer to the physical product for the most up-to-date information.

Installation / 安装步骤

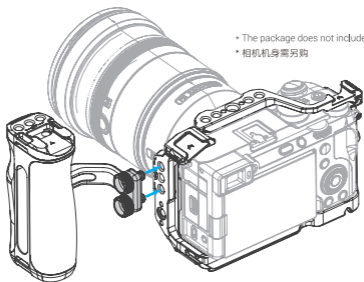
(1)



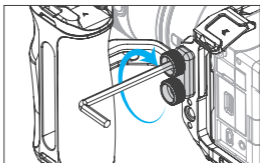
(2)



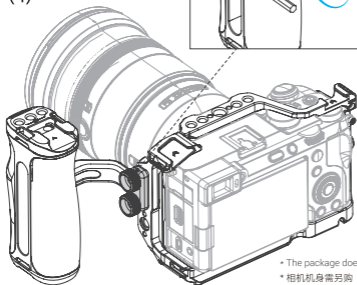
(3)



- The package does not include the camera.
- 相机机身需另购



(4)



- The package does not include the camera.
- 相机机身需另购

Manufacturer: Shenzhen Leqi Innovation Co., Ltd.

Add: Rooms 103, 501 and 601, Building 5, Fenghe Industrial Park, Nos. 1301-50 Guanguang Road, Longhua District, Shenzhen, Guangdong, China.

制造商：深圳市乐其创新股份有限公司

地址：中国广东省深圳市龙华区观澜街道新澜社区观光路 1301-50 号丰和工业园
厂房 5 栋 103、501、601

Consignor: Shenzhen LC Co., Ltd.

Add: Rooms 602, Building 5, Fenghe Industrial Park, No. 1301-50 Guanguang Road, Xinlan Community, Guanlan Street, Longhua District, Shenzhen, Guangdong, China.

委托商：深圳市乐长科技有限公司

地址：中国广东省深圳市龙华区观澜街道新澜社区观光路 1301-50 号丰和工业园
厂房 5 栋 602

执行标准：GB/T 26572-2011



Séparez les éléments avant de trier

中国制造
Made in China

