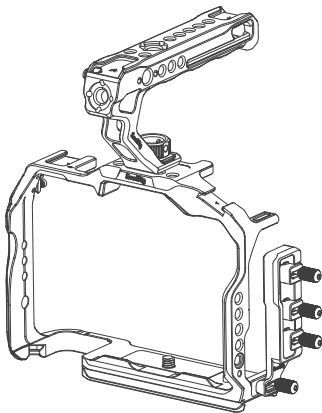


SmallRig

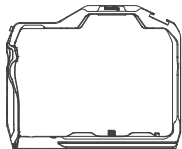


Cage Kit for Nikon Z 8

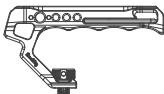
User Manual

- Thank you for purchasing SmallRig's product.
- Please read this Operating Instruction carefully.
- Please follow the safety warnings.

In the Box



Cage × 1

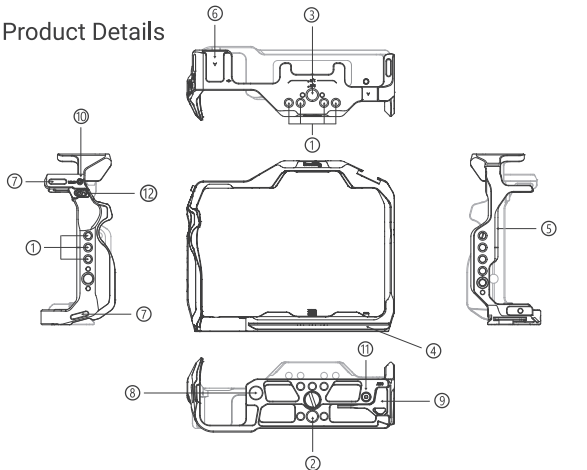


Top Handle × 1



HDMI & USB-C
Cable Clamp × 1

Product Details



① 1/4"-20 Threaded Hole

② 3/8"-16 Threaded Hole

③ ARRI 3/8"-16
Locating Hole

④ Arca-Swiss Quick
Release Plate

⑤ NATO Rail

⑥ Cold Shoe Mount

⑦ Strap Slot

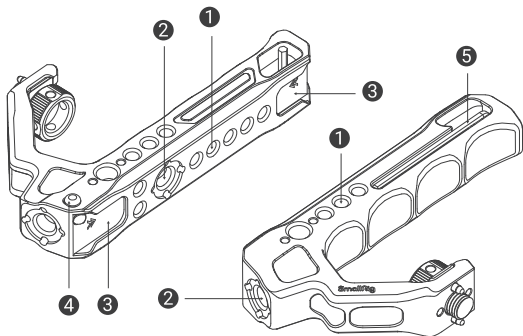
⑧ QD Socket

⑨ Dual-Head Wrench

⑩ M2.5 Screw

⑪ Locating Screw

⑫ Side Lock Adapter



1 1/4"-20 Threaded Hole

2 ARRI 3/8"-16
Locating Hole

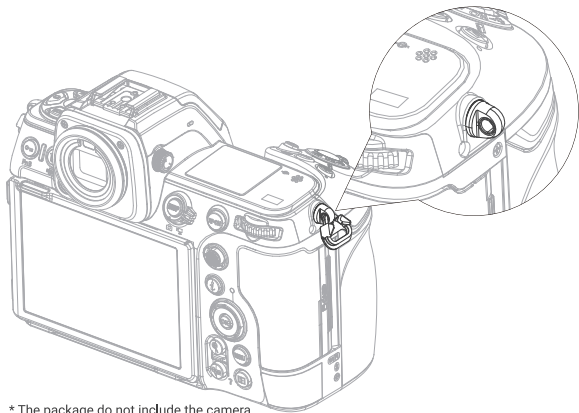
3 Cold Shoe Mount

4 Cold Shoe with Anti-off Pin

5 Allen Wrench

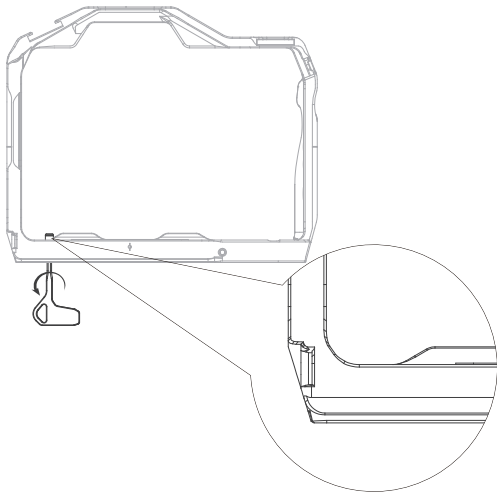
Installation Instruction for Cage

1. Remove the split D-ring on the right side before installing the cage.



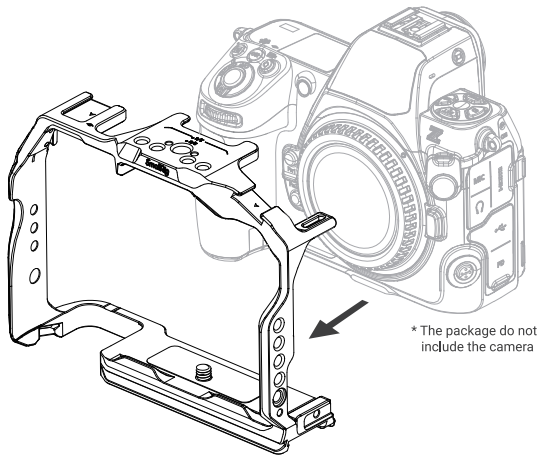
* The package do not include the camera

2. Loosen the locating screw ⑩ until it parallel the bottom of the cage.

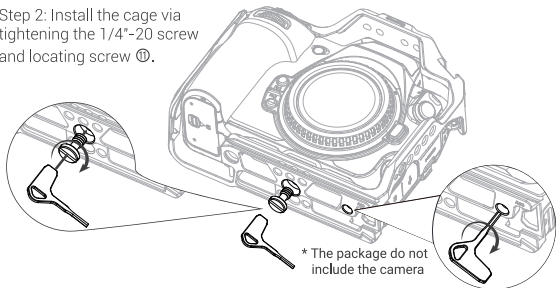


3. Install the Cage.

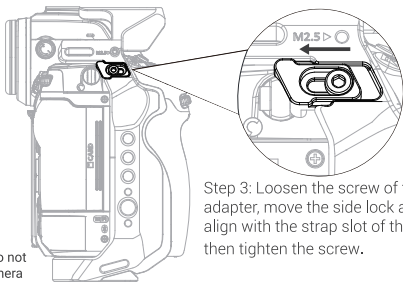
Step 1: Put the camera into the cage from back to the front.



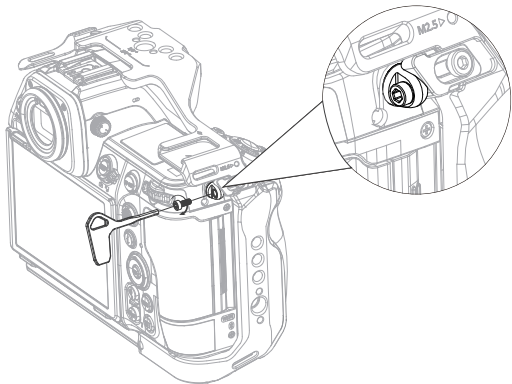
Step 2: Install the cage via tightening the 1/4"-20 screw and locating screw ⑩.



* The package do not include the camera



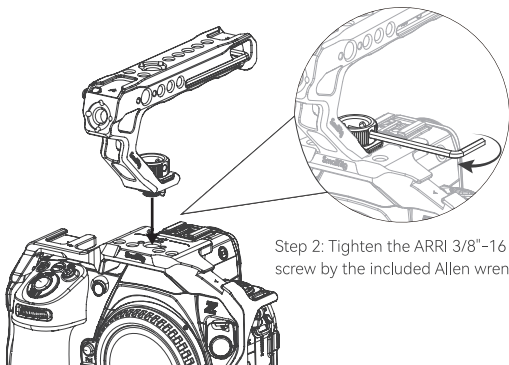
Step 4: Take off the M2.5 screw ⑩ on the right side of the cage, then lock the M2.5 screw ⑩ to the cage via the strap slot of the camera.




* The package do not include the camera

Installation Instruction for Top Handle

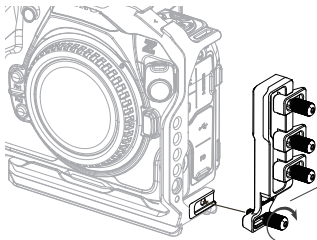
Step 1: Align the top handle with the ARRI 3/8"-16 locating  hole on the cage.



Step 2: Tighten the ARRI 3/8"-16 locating screw by the included Allen wrench  .

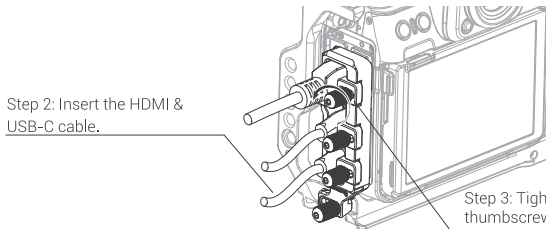
* The package do not include the camera

Installation Instruction for HDMI & USB-C Cable Clamp



Step 1: Install the cable clamp to the cage by tightening the thumbscrew.

* The package do not include the camera



Step 2: Insert the HDMI & USB-C cable.

Step 3: Tighten the thumbscrew to secure the cable.

* The package do not include the camera

Specifications

Product Dimensions: 182 × 135 × 195,8mm

Product Weight: 379g ± 5g

Material(s): Aluminum Alloy

Manufacturer: Shenzhen Leqi Innovation Co., Ltd.
Add: Rooms 103, 501 and 601, Building 5, Fenghe Industrial Park, Nos. 1301-50 Guanguang Road, Longhua District, Shenzhen, Guangdong, China.

Consignor: Shenzhen LC Co., Ltd.
Add: Rooms 602, Building 5, Fenghe Industrial Park, No. 1301-50 Guanguang Road, Xinlan Community, Guanlan Street, Longhua District, Shenzhen, Guangdong, China.

RoHS

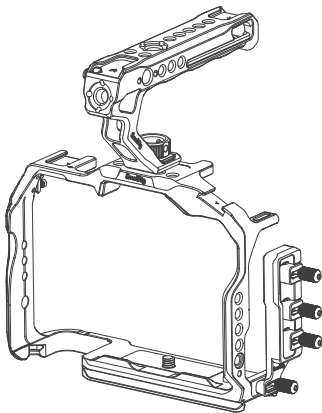


Séparez les éléments avant de trier



Made in China

SmallRig



尼康 Z 8 拓展框套件

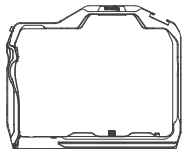
用户手册

感谢您购买 SmallRig 产品。

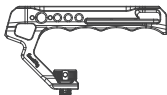
使用本产品之前，请仔细阅读操作指引。

请注意所有警告提示并遵循使用操作指引的所有指令。

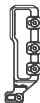
包装清单



拓展框 × 1

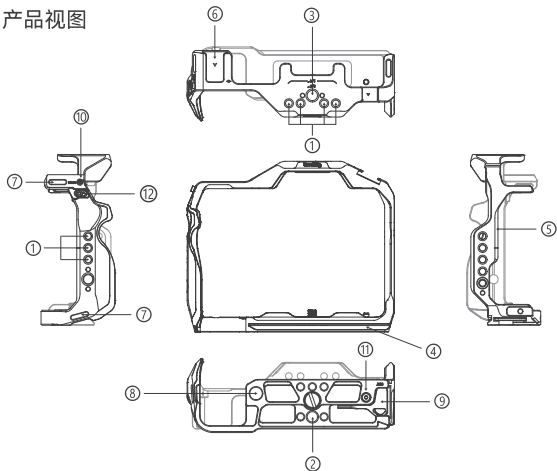


上提手柄 × 1



HDMI & USB-C线夹 × 1

产品视图



① 1/4"-20螺纹孔

② 3/8"-16螺纹孔

③ 阿莱定位孔

④ 阿卡快装板

⑤ 滑条

⑥ 冷靴

⑦ 肩带 / 腕带接口

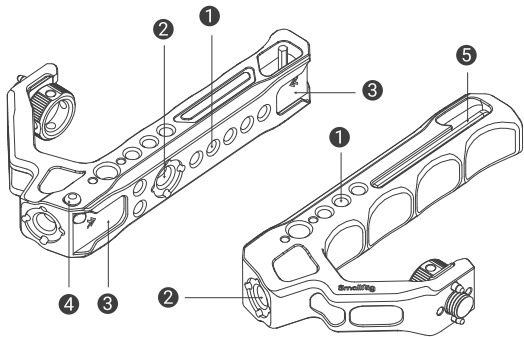
⑧ QD接口

⑨ 双头扳手

⑩ M2.5螺丝

⑪ 定位螺丝

⑫ 侧边压块



① 1/4"-20螺纹孔

② 阿莱定位孔

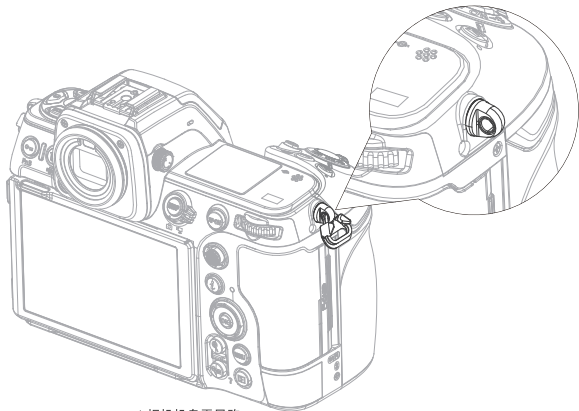
③ 冷靴

④ 冷靴防脱键

⑤ 六角扳手

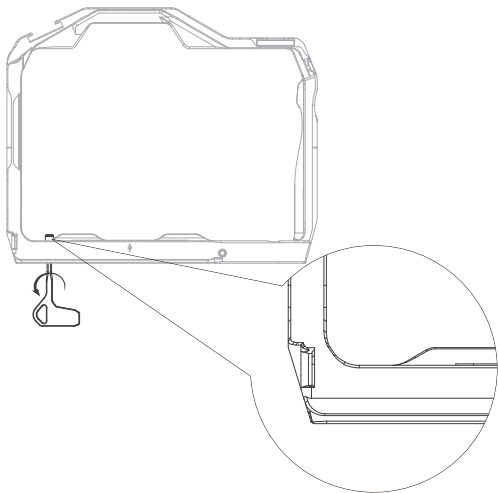
拓展框安装步骤

1. 取下相机右侧肩带环。



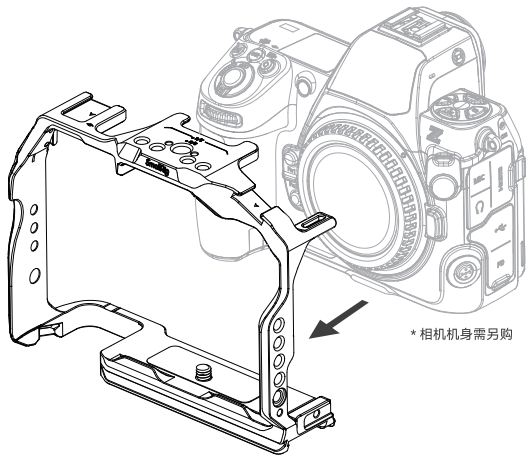
* 相机机身需另购

2. 将底部定位螺丝 ⑩ 拧松，直至与拓展框底部齐平。

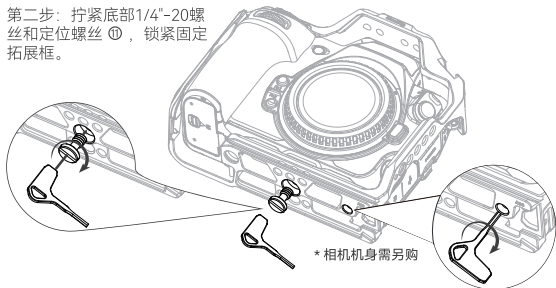


3. 安装拓展框。

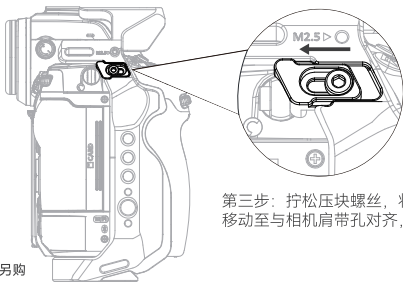
第一步：将相机从后往前放入拓展框。



第二步：拧紧底部1/4"-20螺丝和定位螺丝 ⑩，锁紧固定拓展框。



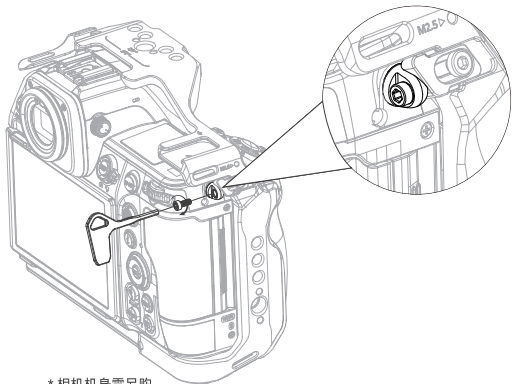
* 相机机身需另购



第三步：拧松压块螺丝，将侧边压块 ⑩ 移动至与相机肩带孔对齐，再锁紧螺丝。

* 相机机身需另购

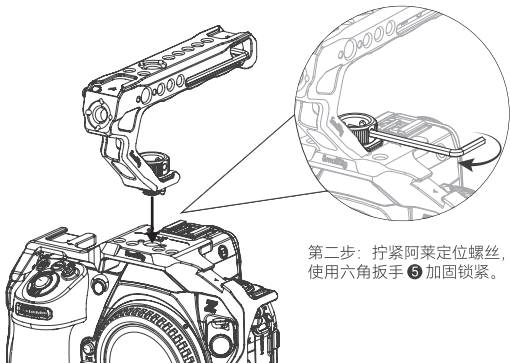
第四步：取下拓展框右侧M2.5螺丝 ⑩，然后将M2.5螺丝 ⑩ 穿过相机肩带孔与拓展框锁紧固定。



* 相机机身需另购

上提手柄安装步骤

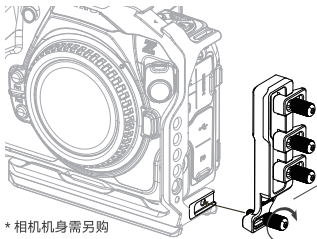
第一步：将上手提对准相机拓展框的阿莱定位孔 ③。



第二步：拧紧阿莱定位螺丝，
使用六角扳手 ⑤ 加固锁紧。

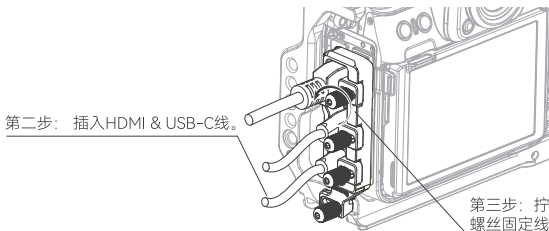
* 相机机身需另购

HDMI & USB-C线夹安装步骤



* 相机机身需另购

第一步：通过一颗手拧螺丝，
将线夹和拓展框锁紧固定。



第二步：插入HDMI & USB-C线。

第三步：拧紧手拧
螺丝固定线材。

* 相机机身需另购

产品参数

产品尺寸: 182 × 135 × 195.8mm

产品重量: 379g ± 5g

主要材质: 铝合金

制造商: 深圳市乐其创新股份有限公司

地址: 中国广东省深圳市龙华区观澜街道新澜社区观光路 1301-50 号丰和工业园厂房 5 栋 103、501、601

委托商: 深圳市乐长科技有限公司

地址: 中国广东省深圳市龙华区观澜街道新澜社区观光路 1301-50 号丰和工业园厂房 5 栋 602

执行标准: GB/T 26572-2011

RoHS



Séparez les éléments avant de trier



中国制造