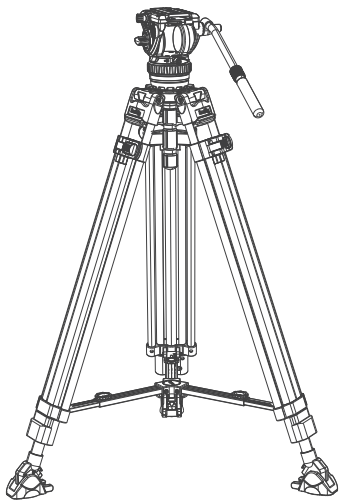


# SmallRig



Heavy-Duty Carbon Fiber Tripod Kit  
User Manual

Thank you for purchasing SmallRig's product.  
Please read this Operating Instruction carefully.  
Please follow the safety warnings.

## Warnings



Ensure that all fasteners are tightened and safety catches engaged during work to prevent accidental damage or injury.



Do not use the product in temperatures below  $-20^{\circ}\text{C}$  or above  $+70^{\circ}\text{C}$ . Contact with seawater is not recommended and may cause serious damage.



Do not leave the product exposed to high temperatures for long periods without protection, e.g. in a car at hot temperatures.



Ensure that the product is kept out of the reach of children. Use it with extreme caution in hazardous locations.



The load capacity specified in the specifications must not be exceeded.



Do not scrub the spirit level, precision may be lost.



When transporting, remove photographic equipment to prevent it from falling out.



Do not use lubricants. Regular lubrication is not required.



To be on the safe side, do not use or store the product near electrical power sources and chemical substances.



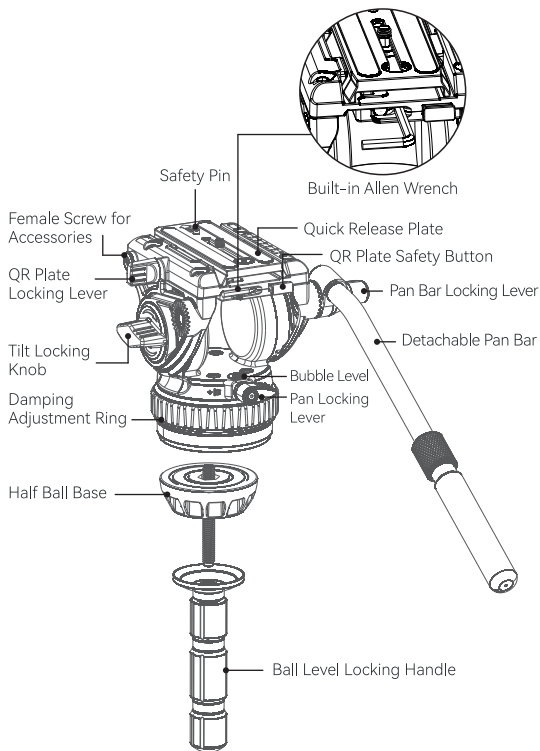
After use in wet, dirty or sandy environments, it is recommended to clean and dry the product with a soft cloth. Dirt, dust and sand in all closures and threads should be removed after use. Clean only with mild detergent or alcohol.

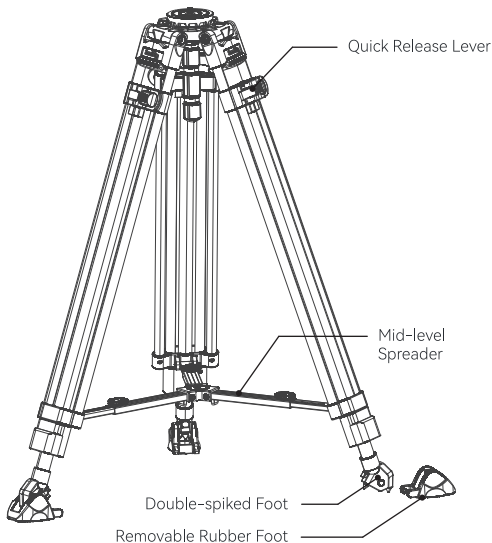


**Please do not disassemble the product. If you have any question, please contact the seller to apply after-sales service.**



# Location of Components





## Attaching and Removing the Quick Release Plate

### a. Removing the QR plate from the head

Loosen the QR Plate Locking Lever, push the QR Plate Safety Button, and then take the plate out of the clamp.

### b. Attaching the QR plate to your camera

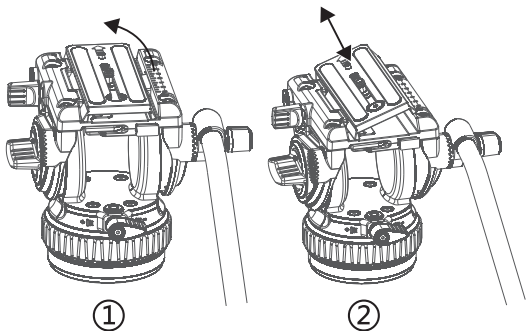
Attach the plate to the camera using the included 1/4"-20 or 3/8"-16 screw. Take care not to over-tighten the screw.

### c. Attaching the camera with QR plate onto the head

Insert the angled part of the plate into the groove on the same side of the QR Plate Locking Lever and then press the plate down flat. The QR Safety Button will automatically engage the locking system and will return to the safety lock position. Tighten the QR Plate Locking Lever firmly to secure.

### d. Removing the camera with QR Plate from the head

While holding the camera, loosen the QR Plate Locking Lever. Push the QR Plate Safety Button to pop up the QR plate, and then take the camera with QR plate away.

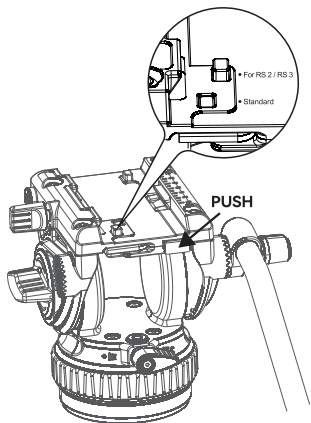


## Dual Modes of Manfrotto and DJI

It is not only compatible with standard quick release plate, but also with DJI RS series quick release plate. You can easily change it between the Standard Mode and DJI RS Mode by the separate buttons.

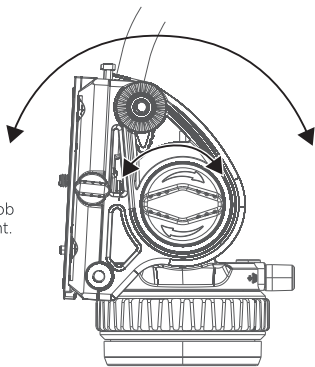
When one button is pushed down, the other one will be popped up. If you want to choose DJI RS mode, please keep the 'For RS 2 / RS 3' button UP. If you want to choose the Standard mode, please keep the 'Standard' button UP.

Note: You need to push the QR Plate Safety Button to release it before attaching the quick release plate.



## Adjusting Tilt Position

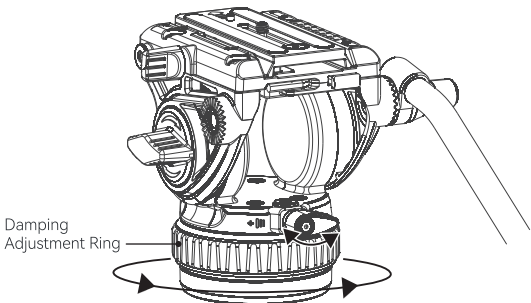
Unlock the Tilt Locking Knob for up and down movement.



## Horizontal Adjustment

The base of the head has a panoramic damping fine adjustment ring, you can adjust the different damping degree, to achieve the best use of the state.

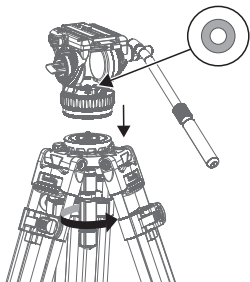
**Note:** Please loosen the base level locking knob before adjustment  
When rotating clockwise, the damping is bigger, when rotating counterclockwise, the damping is smaller



Unlock the Pan Locking Lever for 360° panning.

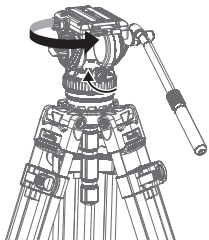
## Installing the Head

Place the ball of the head into the bowl of the tripod. Level the head via the bubble level and secure the ball locking handle onto the bottom of the head on the underside of the tripod bowl.



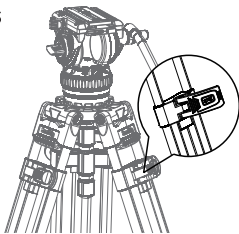
## Removing the Head

Lock the pan locking lever, then grasp the pan bar and twist the head counter-clockwise off.



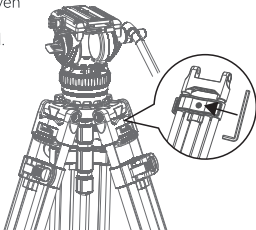
## Extending Tripod Legs

Lift up the leg tube flip locking lever to loosen the leg tube. Adjust the height to the ideal working condition, and then press down the flip locking lever to lock the leg tube tight for use.

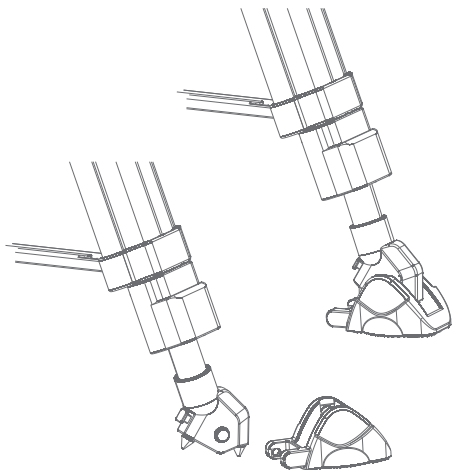


## Adjusting the Locking Force

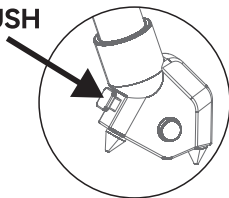
If the telescopic leg extensions slip even with the flip locking lever closed, the locking force will need to be adjusted. Release the flip locking lever, then turn the screw clockwise using the provided Allen Wrench. Normally a half of a turn will be sufficient to achieve the correct locking tension.



## Double-spiked Foot



**PUSH**



To use the nail, press the button, and remove the rubber foot from the nail.

# Service & Warranty

---

Please keep your original receipt and guarantee card. Be sure the dealer has written on it the date of purchase and SN of the product. These are required for warranty service.

## After-sale Warranty Terms

SmallRig products are entitled to warranty services as of the date of payment.

- Electronic products (except V mount battery): 1-year warranty.
- V mount battery: 2-year warranty.
- Non-electronic products: 2-year warranty.

Note: In case of any conflict between our warranty period policy and applicable laws and regulations of the country / region where the products are sold, the latter shall prevail.

## This Warranty Does Not Cover

1. If users fail to adhere to the "Operating Instruction" or any "Warnings" stated in the user manual, resulting in a quality failure, it falls outside the scope of warranty coverage.
2. The product identification or SN label is removed or defaced in any way.
3. Product damage caused by problems not attributable to the quality of the products such as improper use of the products.
4. Product damage caused by unauthorized modification, disassembly, repair and other acts.
5. Product damage caused by fires, floods, lightning and other force majeure factors.

## Warranty Mode

- For the products within the scope of warranty, SmallRig will repair or replace them on the basis of specific failures; the repaired / replaced products / parts are entitled to the remaining part of the original warranty period.

## Contact Information

- You're advised to contact the online customer service personnel of corresponding shopping platform and submit a repair service application.
- You may also apply for repair service through SmallRig's service email.

Service Email: [support@smallrig.com](mailto:support@smallrig.com)

## Guarantee Card

ID No.	
Item Name	
Purchase Date	
User Name	
Mobile	
Address	
Receipt	



# 重型碳纤维三脚架套件-用户手册

感谢您购买 SmallRig 产品。

使用本产品之前，请仔细阅读操作指引。

请注意所有警告提示并遵循使用操作指引的所有指令。

## 重要提示



使用此产品时，时常确认产品各锁紧装置是否处于锁紧的安全状态，避免意外损坏相机。



请勿在温度 $-20^{\circ}\text{C}$ 以下， $70^{\circ}\text{C}$ 以上环境下使用本产品，不推荐在海水中使用本产品。



请勿长时间将产品放置在太阳下，避免长时间将产品放置在高温下，例如靠近汽车玻璃数小时。



在公共场所使用本产品时，请勿离人，避免小孩靠近，造成意外伤害。在危险的地方使用时，请谨慎操作。



使用此产品时，请不要超过规定的最大指定负重，这样可能会损坏产品。



请勿擦洗水平仪，否则可能会降低精准度。



禁止搭载设备 相机 等一起携带移动。



此产品不需要经常添加润滑油，若需要时，可使用标准机械用润滑油。



为了人身安全，在使用本产品时，请勿靠近高压区域，或与强效化学物品接触。

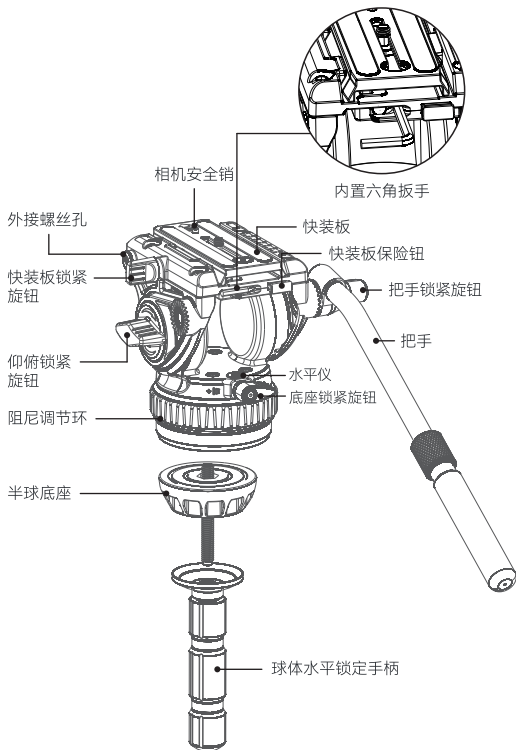


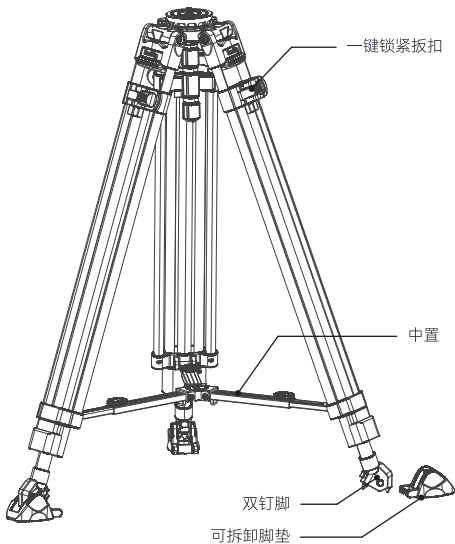
在潮湿、泥沙、风尘等环境中使用过后，建议用软布来清洁并擦干该产品。请使用温和的清洁剂或酒精擦拭。



请勿拆卸产品，如果您怀疑产品有任何问题，请联络购买平台，申请售后处理。

# 部件名称





## 快装板安装及拆卸

### a. 从云台上移出快装板

松开快装板锁紧旋钮，然后按下快装板保险钮取出快装板。

### b. 安装快装板到相机上

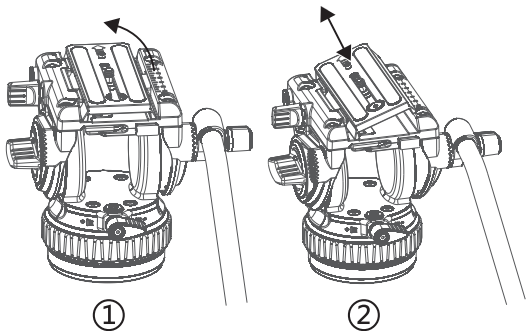
通过1/4"-20或3/8"-16螺丝把快装板安装在相机底部，注意螺丝不要拧过紧。

c. 安装带快装板的相机到云台上

把快装板的一侧对齐保险钮可自动上锁，然后在拧紧快装板锁紧旋钮更安全。

d. 从云台上移出带快装板的相机

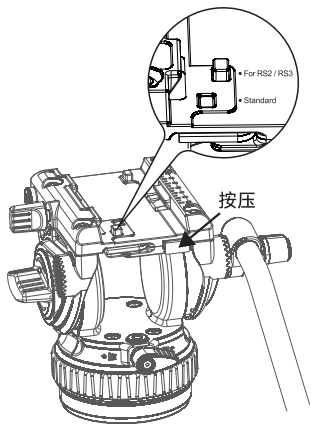
手握着相机，松开快装板锁紧旋钮，然后按压快装板保险钮可取出相机。



## DJI RS系列稳定器板槽兼容

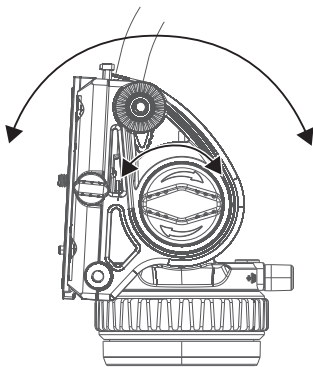
这款云台可分别兼容曼富图和DJI RS 2 / RS 3快装板类型（使用前设置）

注意：从侧面按压快装板前，快装板保险钮需要先按下去。



## 仰俯调整

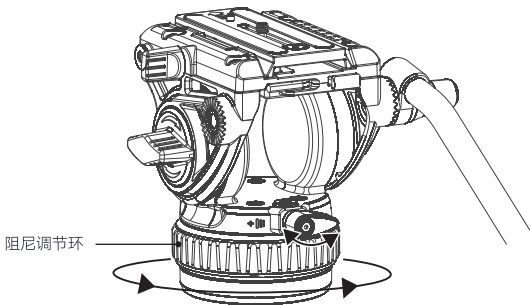
松开仰俯锁紧旋钮即可  
实现上下倾斜。



## 水平旋转

云台底座有全景阻尼微调调节环，可以调节不同的阻尼度，达到最佳的使用状态。

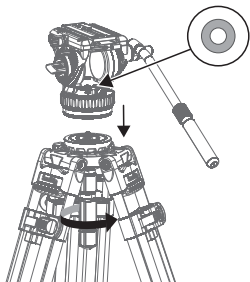
注意：调节前请松开底座水平锁紧旋钮，顺时针旋转时，阻尼越大，逆时针旋转时，阻尼越小



松开底座水平锁紧旋钮可实现底座360°水平旋转。

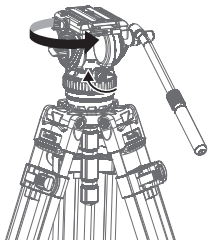
## 安装液压云台

将云台的球体放入三脚架的碗中。通过气泡水平仪将云台调平，并将球体锁定手柄固定在三脚架碗底的云台底部。



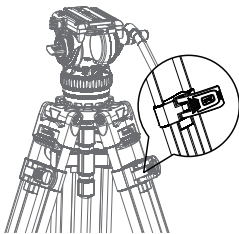
## 拆卸云台

拧紧水平锁紧旋钮，然后握住把手，逆时针旋转云台直至脱落。



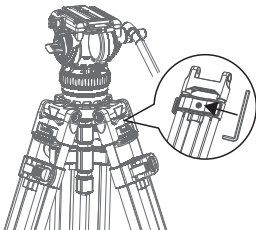
## 三脚架设置

抬起脚管，松开一键锁紧扳扣，将管脚高度调整到理想的工作状态，然后锁紧扳扣，将脚管锁紧，即可使用。

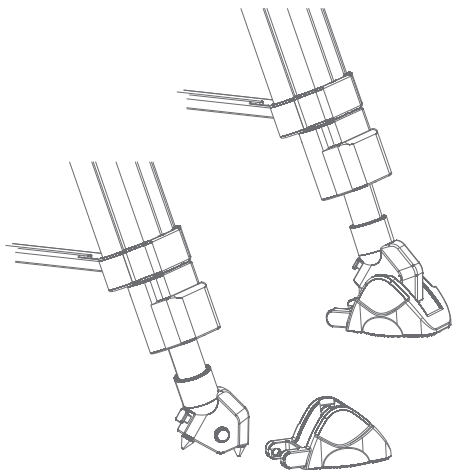


## 调整锁紧力

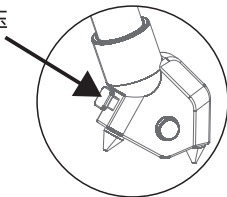
扳扣在锁紧状态下，脚管仍然出现滑动，则需要调节扳扣锁紧力。拨开扳扣后，使用随附的扳手顺时针拧动图中的螺丝。通常旋转半圈便可获得合适的锁紧力。



## 双钉脚



按压



要使用脚钉，请按下按钮，取下橡胶脚垫即可。



# 保修条款

---

请保留您的原始购买单据及保修卡,同时包含您的购买日期、产品序列号等,这些资料质保服务时均需要提供。

## 售后质保条款

SmallRig产品自下单付款之日起享有质保服务。

- 电子产品(除V口电池): 1年质保。
- V口电池: 2年质保。
- 非电子产品: 2年质保。

注:若销售地国家或地区的适用法律法规有冲突的,以销售地国家或地区有关质保期的法律法规为准。

## 质保无效说明

1. 当用户违反操作指引或用户手册中“重要提示”任何一条导致的质量失效,不在质保范围内。
2. 产品序列号标识已经被撕毁或无法辨识,不在质保范围。
3. 产品使用不当等非产品本身质量问题,而造成的产品损坏,不在质保范围。
4. 非官方指导的私自改装、拆解、维修等行为而造成的损坏,不在质保范围。
5. 因火灾、水灾、雷击等不可抗力造成的产品损坏,不在质保范围。

## 维修方式

·属于质保范围的,SmallRig根据产品具体的故障对产品进行维修或更换;维修后的产品/部件享受原有保修期的剩余时长。

## 联系方式

- 建议您优先进往相应购买平台联系在线客服,提出产品维修申请。
- 您也可以通过 SmallRig 服务邮箱申请维修服务。

服务邮箱:support@smallrig.com

# 保修卡

ID编号	
产品名称	
购买日期	
用户姓名	
用户电话	
用户地址	
购买单据	

EC	REP	Prolinx GmbH Brehmstr.56,40239 Duesseldorf Germany eu@eulinx.eu
----	-----	---

UK	REP	Prolinx Global LTD 27 Old Gloucester Street London, WC1N3AX, UK eu@eulinx.eu
----	-----	--

执行标准: JB/T9434-2016

Manufacturer: Shenzhen Leqi Innovation Co., Ltd.

Add: Rooms 103, 501 and 601, Building 5, Fenghe Industrial Park, Nos. 1301-50  
Guanguang Road, Longhua District, Shenzhen, Guangdong, China.

Consignor: Shenzhen LC Co., Ltd.

Add: Rooms 602, Building 5, Fenghe Industrial Park, No. 1301-50 Guanguang Road,  
Xinlan Community, Guanlan Street, Longhua District, Shenzhen, Guangdong, China.

制造商: 深圳市乐其创新股份有限公司

地址: 中国广东省深圳市龙华区观澜街道新澜社区观光路1301-50号丰和工业园  
厂房5栋103、501、601

委托商: 深圳市乐长科技有限公司

地址: 中国广东省深圳市龙华区观澜街道新澜社区观光路1301-50号丰和工业园厂房5栋602



LQ-B080-18

Made in China | 中国制造

WE ARE HERE FOR YOU  
服务与支持

ETICHETTATURA AMBIENTALE  
ENVIRONMENTAL LABELING