

SmallRig



4841 / 4842

Rotatable Bilateral Quick Release Side Handle

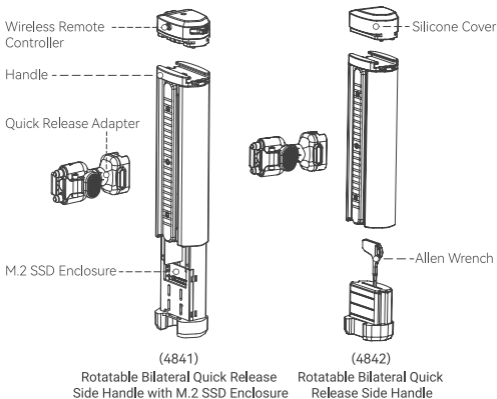
- Operating Instruction -

- Thank you for purchasing SmallRig's product.
- Please read this Operation Guide carefully.
- Please follow the safety warnings.

In the Box

4841	4842
Rotatable Bilateral Quick Release Side Handle with M.2 SSD Enclosure × 1	Rotatable Bilateral Quick Release Side Handle × 1
User Manual × 1	User Manual × 1
Operating Instruction × 1	Operating Instruction × 1
Guarantee Card × 1	Guarantee Card × 1

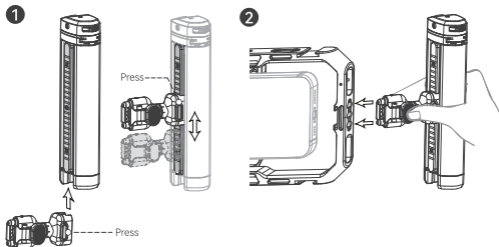
Product Details



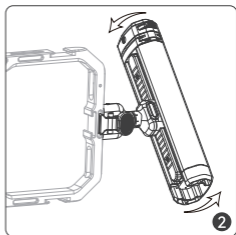
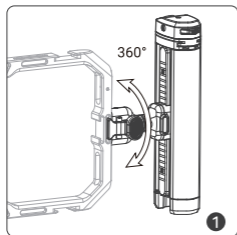
Note: **[4841]** The M.2 SSD is not included in the handle;
[4842] Wireless remote controller is not included.

Installation Steps

- 1. Handle installation and adjustment:** The handle quick release adapter features bilateral quick released functions. Press and hold the button on the quick release adapter as illustrated, align the chute on the adapter with the quick release slider of the handle and slide it in, release the button to lock.

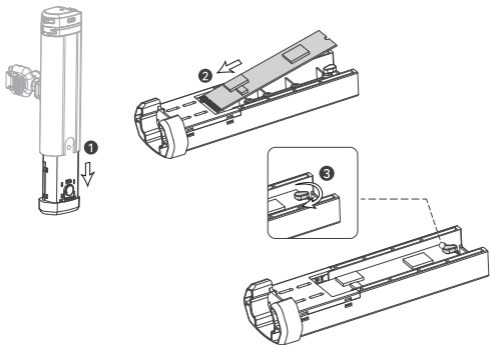


- 2. Handle rotation:** The handle quick release adapter can be rotated steplessly. Hold the handle and rotate the handle counterclockwise or clockwise to lock at any angle.



Note: The adapter has significant rotation damping. To use, attach the handle to the cage.

3. **M.2 SSD Installation:** Press and hold the rear of the handle and pull out the SSD enclosure, rotate the soft rubber stopper at the tail, and insert the M.2 SSD connector with the card slot of the SSD enclosure (please make sure that the SSD interface standard is M-Key). Rotate the soft rubber stopper to ensure that the SSD is secured, then cover the surface of the SSD with thermally conductive silicone, and push the enclosure to the inside of the handle to secure it.



Key Features

1. The controller provides an integrated solution for stable and smooth mobile phone video;
2. The 4841 side handle has a wireless remote control module, which can control the mobile phone shooting, focus and zoom functions;
3. The 4841 side handle can be extended with M.2 SSD to support mobile phone recording ProRes 4K•60 video;
4. The side handle can be rotated steplessly to support any angle grip, and can be switched between the side handle and the top handle mode within one second;
5. The side handle supports bilateral quick release, no additional tools are required to assemble and disassemble;

4841 Wireless Remote Control Functions & Settings

Adaptation system: Apple, Android, Harmony OS.

Key description: two-stage shutter button, zoom lever, system switch button.

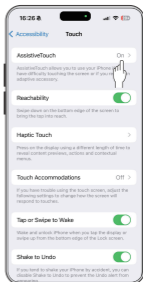
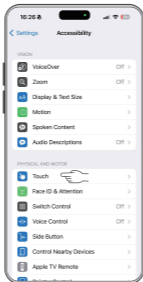
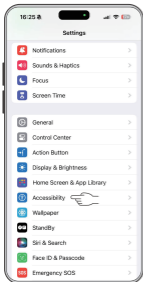
1. Bluetooth Connection

Name	SmallRig WR-05
Turning On	Press and hold the shutter button for 2 seconds to turn on, the indicator light flashes slowly to enter the pairing state, and the green light turns off after successful pairing.
Turning Off	Press and hold for 3 seconds to power off, and the indicator light turns off.
System Switch	Left dial for IOS, right dial for Android / Harmony OS Note: before connecting to the mobile phone, you need to dial to the corresponding location of the mobile phone system. If not, the function cannot be used.
Connect	Open the phone Bluetooth settings, search for "SmallRig WR-05" and pair.
Non Paired Connect	The indicator light flashes green slowly.
Automatically Turning Off	After powering on, it will automatically power off after 3 minutes without operation in the non-pairing state; or in the pairing state, it will automatically shut down after 20 minutes of no operation.
Low Battery	The remaining power is less than 10% (the battery voltage is less than 3.3V), and the red indicator flashes slowly.
Charging Status	The red light is always on, and will turn off when fully charged.
Automatic Connect	After powering on, if the Bluetooth of the last paired phone is turned on, it will be connected automatically.
Disconnect	When connected, cancel the pairing of the mobile phone, and the remote controller will enter the unpaired state.
Distance too Far to Disconnect	Connecting distance over 10m will cause the Bluetooth to be disconnected.

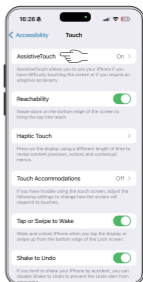
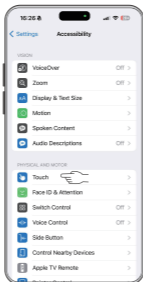
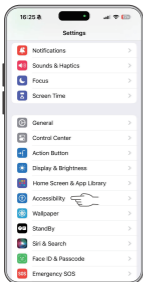
2. Apple IOS system connection settings (For example IOS17.5.1)

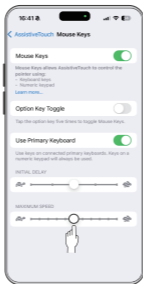
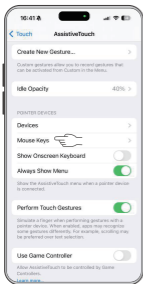
After connecting with the Bluetooth on the Apple phone, be sure to set the following settings:

(1) Go to Apple "Settings" → "Accessibility" → "Touch" → "AssistiveTouch" → On.

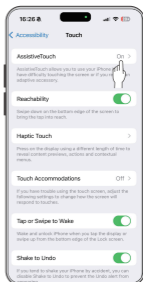
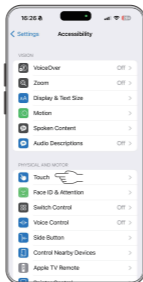
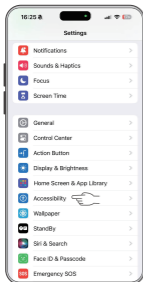


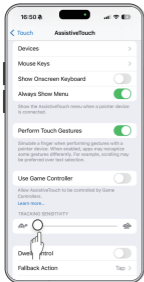
(2) Go to Apple "Settings" → "Accessibility" → "Touch" → "AssistiveTouch" → "Mouse Key" → "Maximum Speed" → Adjust to Variable 6.





(3) Go to Apple "Settings" → "Accessibility" → "Touch" → "AssistiveTouch" → "Tracking Sensitivity" → Adjust to Minimum.





(4) Drop-down to open "Control Center" → turn on "Portrait Orientation Lock" → ON.

3. Shooting

In the pairing state, after starting the camera:

Focus: Half-Press the shutter button for more than 0.3 seconds to focus and metering with the center of the frame as the focal point.

Lock Focus: Hold and half-press for more than 2 seconds to lock the center as focal point.

Take a Photo / Shoot: Press the shutter button to take a photo or shoot a video.

Zoom: Toggle the zoom lever clockwise to the left to zoom in on the shooting screen; toggle the zoom lever counterclockwise to the right to zoom out.

Toggle the Front and Rear Cameras: Half-press the shutter button twice to switch between the front and rear cameras.

Note 1: If the Apple phone encounters a situation where you can't zoom when shooting a video, you can zoom by half-pressing the shutter button three times quickly, and moving down the analog touch point to realize the function.

Note 2: (Android / Harmony OS System Adaptability Tips): If you can't zoom under the normal connection state of Android / Harmony OS mobile phone, you can zoom by quickly pressing the shutter button three times and switching to analog touch mode.



Note: The floating button for AssistiveTouch can't be at the same level as the zoom button, otherwise it will cause zoom stuttering.

Specification of Wireless Remote Controller (4841)

Operating Power Consumption	≤3mW
Standby Power Consumption	≤0.04mW
Input	5V=0.1A
Battery Capacity Parameters	3.7V 145mAh 0.54Wh
Current	2mA
Operating Temperature	-30°C to 60°C / -22°F to 140°F
Wireless Remote Control Distance	10m / 32.8ft
Wireless Frequency	2.4GHz

Specification of M.2 SSD Enclosure (4841)

Operating Protocol	NVMe V1.3
Built-in Interface	M.2 M-Key
USB Specification	USB-C 3.1
Input	5V=1.5A
M.2 SSD Specification	2230, 2242, 2260, 2280
Standby Power Consumption	0.38W
Operating Power Consumption	Varies depending on the SSD model
Transmission Rate	10Gbps / 5Gbps / 480Mbps / 12Mbps
Indicator Color and Status	Blue LED lights; (Power-on + Hibernation + Safe Ejection) is always on, flashing when reading and writing data.



When the phone battery level is above 30% and the environment temperature is below 30°C / 86°F, it supports direct connection of the SSD to the phone (without external power supply through the docking station) for recording ProRes HDR 4K•60 format videos. Compatible SSD models are listed in the end of the manual. In cases of low phone battery, environment temperatures above 30°C / 86°F, or prolonged uninterrupted recording (exceeding 40 minutes), please use an external power supply through the docking station to power the SSD, ensuring the stability of data transmission and the smoothness of video recording.

SSD Test Report - the phone can directly power to (no docking station and external power supply required)

Test Mobile: iPhone 15 Pro

Tested SSD	USB3.1 Read / Write	Copy / Format	Remark
Samsung 980 M.2 NVMe SSD 2280 1TB	OK	OK	/
Samsung PM991a M.2 NVMe SSD 2230 1TB	OK	OK	/
WD 990PRO M.2 NVMe SSD 2280 4TB	Fail*	OK	Supports USB3.1 reading and writing of mobile phones with external power supply.
WD WD-BLACK SN770M NVMe M.2 SSD 2230 1TB	Fail*	OK	(1) Videos can be stored normally, but they can only be read on a computer. (2) It supports USB3.1 reading and writing of mobile phones with external power supply.
SanDisk M.2 NVMeSSD 2280 1TB	OK	OK	/
SanDisk M.2 NVMe SSD 2280 2TB	Fail*	OK	Supports USB3.1 reading and writing of mobile phones with external power supply.
SK hynix M.2 NVMe SSD 2230 1TB	OK	OK	/
Lexar M.2 NVMe SSD 2230 1TB	Fail*	OK	Supports USB3.1 reading and writing of mobile phones with external power supply.
Lexar M.2 NVMe SSD 2280 1TB	OK	OK	/
Lexar M.2 NVMe SSD 2280 2TB	Fail*	OK	Supports USB3.1 reading and writing of mobile phones with external power supply.
Micron 2450 M.2 NVMe SSD 2230 512GB	OK	OK	/

Manufacturer: Shenzhen Leqi Innovation Co., Ltd.

Add: Rooms 103, 501 and 601, Building 5, Fenghe Industrial Park, Nos. 1301-50
Guangang Road, Longhua District, Shenzhen, Guangdong, China.

Consignor: Shenzhen LC Co., Ltd.

Add: Rooms 602, Building 5, Fenghe Industrial Park, No. 1301-50 Guangang Road,
Xinlan Community, Guanlan Street, Longhua District, Shenzhen, Guangdong, China.

FCC Warning:

This equipment has been tested and found to comply with the limits for a Class B digital device, pursuant to part 15 of the FCC rules. These limits are designed to provide reasonable protection against harmful interference in a residential installation. This equipment generates, uses and can radiate radio frequency energy and, if not installed and used in accordance with the instructions, may cause harmful interference to radio communications. However, there is no guarantee that interference will not occur in a particular installation. If this equipment does cause harmful interference to radio or television reception, which can be determined by turning the equipment off and on, the user is encouraged to try to correct the interference by one or more of the following measures:

- Reorient or relocate the receiving antenna.
- Increase the separation between the equipment and receiver.
- Connect the equipment into an outlet on a circuit different from that to which the receiver is connected.
- Consult the dealer or an experienced radio/TV technician for help.

To assure continued compliance, any changes or modifications not expressly approved by the party.

Responsible for compliance could void the user's authority to operate this equipment. (Example - use only shielded interface cables when connecting to computer or peripheral devices).

This equipment complies with Part 15 of the FCC Rules. Operation is subject to the following two conditions:

- (1) This device may not cause harmful interference, and
 - (2) This device must accept any interference received, including interference that may cause undesired operation.
- RF warning statement:

The device has been evaluated to meet general RF exposure requirement.

The device can be used in portable exposure condition without restriction.

ISED Statement

English: This device contains licence-exempt transmitter(s)/receiver(s) that comply with Innovation, Science and Economic Development Canada's licence-exempt RSS(s). Operation is subject to the following two conditions:

- (1) This device may not cause interference.
- (2) This device must accept any interference, including interference that may cause undesired operation of the device.

French: Cet appareil contient des émetteurs/récepteurs exempts de licence qui sont conformes aux CNR exempts de licence d'Innovation, Sciences et Développement économique Canada. Le fonctionnement est soumis aux deux conditions suivantes :

- (1) Cet appareil ne doit pas causer d'interférences.
- (2) Cet appareil doit accepter toute interférence, y compris les interférences susceptibles de provoquer un fonctionnement indésirable de l'appareil.

This device meets the exemption from the routine evaluation limits in section 2.5 of RSS 102 and compliance with RSS 102 RF exposure, users can obtain Canadian information on RF exposure and compliance. Cet appareil est conforme à l'exemption des limites d'évaluation courante dans la section 2.5 du cnr - 102 et conformité avec rss 102 de l'exposition aux rf. Les utilisateurs peuvent obtenir des données canadiennes sur l'exposition aux champs rf et la conformité.

This equipment complies with Canada radiation exposure limits set forth for an uncontrolled environment. This equipment should be installed and operated with minimum distance 0cm between the radiator & your body.

Cet équipement doit être installé et utilisé avec une distance minimale de 0cm entre le radiateur et votre corps.

Cet équipement est conforme Canada limites d'exposition aux radiations dans un environnement non contrôlé.

FCC ID: 2BC2U-4948

CE RoHS



Séparez les éléments avant de trier



Points de collecte sur www.quefairedemesdechets.fr
Privilégiez la réparation ou le don de votre appareil !



Made in China

SmallRig



4841 / 4842

旋转双快拆侧手柄

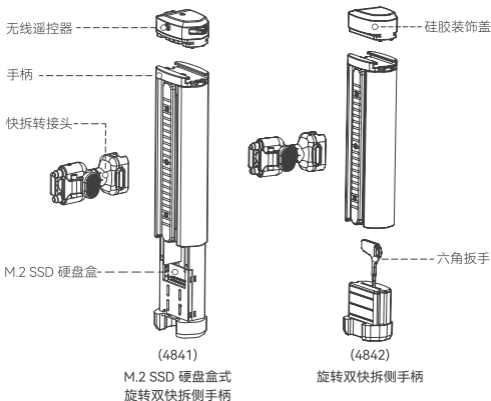
— 操作指引 —

- 感谢您购买 SmallRig 产品。
- 使用本产品之前，请仔细阅读操作指引。
- 请注意所有警告提示并遵循使用操作指引的所有指令。

包装清单

4841	4842
M.2 SSD 硬盘盒式旋转双快拆侧手柄 × 1	旋转双快拆侧手柄 × 1
用户手册 × 1	用户手册 × 1
操作指引 × 1	操作指引 × 1
保修卡 × 1	保修卡 × 1

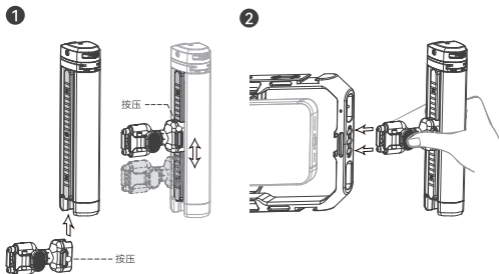
产品介绍



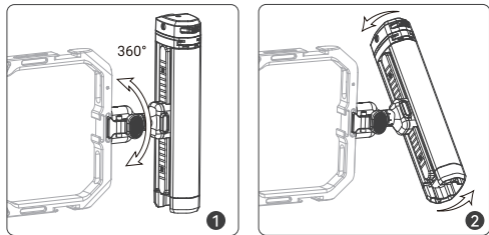
注意: 【4841】手柄不包含M.2 SSD固态硬盘; 【4842】不含无线遥控器。

安装步骤

1. 手柄安装与调节：手柄快拆转接头为双边快拆。按住图示快拆转接头上的按钮，将转接头上的滑槽对准手柄快拆滑条并滑入，松开按钮即可锁定。

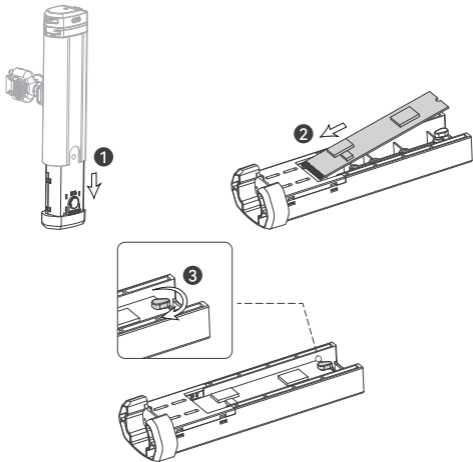


2. 手柄旋转：手柄快拆转接头可进行无级旋转。握住手柄，逆时针或顺时针旋转手柄，可在任意角度停留。



注意：转接头旋转阻尼较大，需要将手柄与拓展框连接后进行旋转方可实现。

3. 手柄M.2 SSD 安装：按住手柄尾部并拉出SSD硬盘盒，旋转尾部软胶塞，将M.2 SSD固态硬盘接口对准硬盘盒卡槽插入（请确保SSD接口标准为M-Key）。旋转软胶塞以确保SSD固态硬盘被固定，然后将固态硬盘附送的导热硅胶覆盖至硬盘表面，推动硬盘盒至手柄内部固定后即可使用。



手柄功能说明及特性

1. 手柄为稳定而流畅的手机视频提供了集成化的解决方案；
2. 支持双边快拆，无需额外工具一秒拆装、任意调节；
3. 可无极旋转，支持任意角度握持，可在侧手柄和上手提模式间一秒切换；
4. 4841侧手柄带无线遥控模块，可一键控制手机拍照/摄影、对焦和变焦功能；
5. 4841侧手柄可拓展M.2 SSD后支持手机录制ProRes 4K视频；

4841 无线遥控器功能与设置

适配系统：苹果、安卓、鸿蒙。

按键说明：两段式快门按键、变焦拨杆、系统切换拨动开关。

1. 手柄连接

遥控器名称	SmallRig WR-05
开机方式	(关机状态下) 长按快门键2秒开机，指示灯慢闪烁进入配对状态，配对成功后绿灯熄灭
关机方式	长按3秒关机，指示灯熄灭
系统选择	遥控器左侧设有拨动开关，左拨适配IOS苹果系统，右拨适配安卓/鸿蒙等其他系统； 注意：连接手机前需拨至手机系统对应的位置，如没有拨至匹配，则功能无法使用。
手机配对	打开手机无线设置，在下方无线设备列表中搜索“SmallRig WR-05”，点击配对。
无配对状态	指示灯绿色慢闪烁
自动关机	开机后，无配对状态下无操作3分钟后自动关机； 或配对状态下，无操作20分钟后自动关机。
低电量状态	剩余电量低于10% (电池电压低于3.3V)，红色指示灯慢闪烁
充电状态	充电时红灯常亮，满电后指示灯熄灭
开机自动配对	开机后，如上一次已配对手机无线处于打开状态，直接自动连接
手机解除绑定	与手机处于连接状态时，在手机无线设置页面取消遥控器配对，遥控器进入无配对状态
距离过远断开	与手机处于连接状态时，遥控器与手机距离过远会导致无线断开连接，遥控器进入无配对状态
连接时关闭手机无线	与手机处于连接状态时，关闭手机无线后，遥控器进入无配对状态
更换手机连接	如要更换手机连接，同系统手机解除配对后可直接连接另一部手机；如更换不同系统手机，连接前需将拨动开关拨至对应系统后再连接手机。

2. 苹果IOS系统连接设置（参考IOS17.5.1）

与苹果手机蓝牙连接后务必做以下设置：

(1) 进入苹果“设置”→“辅助功能”→“触控”→“辅助触控”→打开。



(2) 苹果“设置”→“辅助功能”→“触控”→“辅助触控”→“鼠标键”→“最大速度”调节至第6档。





(3) 苹果“设置”→“辅助功能”→“触控”→“辅助触控”→“跟踪灵敏度”调节至最低。





(4) 下拉打开“控制中心”，
打开“竖排方向锁定”。

3. 手柄拍摄

配对状态下，启动相机后：

对焦：半按快门按键超过0.3秒，以画面中心为焦点进行对焦和测光。

锁定对焦：保持半按超过2秒，完成画面中心焦点的锁定。

拍照/拍摄：全按快门按键，实现拍照或拍摄视频。

变焦：向左顺时针拨动变焦拨杆，拍摄画面放大；向右逆时针拨动变焦拨杆，拍摄画面缩小。

切换前后镜头：双击半按拍摄按钮，切换前后摄像头。

- △ (1) 苹果IOS系统适配性提示：**如苹果手机遇到视频拍摄时无法变焦情况，可通过快速半按快门键三次，下移模拟触摸点即可变焦。
- (2) 安卓/鸿蒙系统适配性提示：**如安卓/鸿蒙手机正常连接状态下无法变焦，可通过快速半按快门键三次，切换至模拟触摸模式即可变焦。



△ 注意：辅助触控的悬浮按钮不能与变焦按钮处于同一水平线上，否则会导致变焦卡顿。

4841 无线遥控器参数

工作功耗	≤3mW
待机功耗	≤0.04mW
输入	5V \approx 0.1A
电池参数	3.7V 145mAh 0.54Wh
电流	2mA
工作温度	-30°C ~ 60°C
无线控制距离	10m
无线频率	2.4GHz

4841 M.2 SSD硬盘盒参数

工作协议	NVMe V1.3
内置接口	M.2 M-Key
USB 规格	USB-C 3.1
输入	5V \approx 1.5A
兼容M.2 SSD规格	2230, 2242, 2260, 2280
待机功耗	0.38W
工作功耗	因SSD型号而异
传输速率	超高速 (10Gbps) / 超速 (5Gbps) / 高速 (480Mbps) / 全速 (12Mbps)
指示灯颜色及状态	蓝色 LED 灯, (通电 + 休眠 + 安全弹出) 常亮、读写数据时闪烁



在手机电量充足 (>30%)、环境温度低于30°C时支持手机直接连接硬盘盒 (无需连接拓展坞和外部电源) 并录制 ProRes HDR 4K · 60格式的视频, 可兼容的硬盘型号见后文。手机低电量、环境温度高于30°C 或长时间不间断录制 (大于40分钟)时, 请通过拓展坞使用外接电源为固态硬盘供电, 以确保数据传输的稳定性和视频的流畅性。

手机直接供电驱动 (无需拓展坞和外接电源) 的硬盘测试报告

手机型号: iPhone 15 Pro

测试设备	USB3.1读写	文件拷贝/格式化	备注
三星980 M.2 NVMe SSD 2280 1TB	OK	OK	/
三星PM991a M.2 NVMe SSD 2230 1TB	OK	OK	/
三星990PRO M.2 NVMe SSD 2280 4TB	Fail*	OK	有外部供电可支持手机USB3.1读写
西部数据 WD-BLACK SN770M NVMe M.2 SSD 2230 1TB	Fail*	OK	视频可正常储存, 只能在电脑上读取; 有外部供电可支持手机USB3.1读写。
闪迪 M.2 NVMe SSD 2280 1TB	OK	OK	/
闪迪 M.2 NVMe SSD 2280 2TB	Fail*	OK	有外部供电可支持手机USB3.1读写
海力士SK hynix M.2 NVMe SSD 2230 1TB	OK	OK	/
雷克沙Lexar M.2 NVMe SSD 2230 1TB	Fail*	OK	有外部供电可支持手机USB3.1读写
雷克沙Lexar M.2 NVMe SSD 2280 1TB	OK	OK	/
雷克沙Lexar M.2 NVMe SSD 2280 2TB	Fail*	OK	有外部供电可支持手机USB3.1读写
镁光2450 M.2 NVMe SSD 2230 512GB	OK	OK	/

制造商: 深圳市乐其创新股份有限公司

地址: 中国广东省深圳市龙华区观澜街道新澜社区观光路 1301-50 号丰和工业园
厂房 5 栋 103、501、601

委托商: 深圳市乐长科技有限公司

地址: 中国广东省深圳市龙华区观澜街道新澜社区观光路 1301-50 号丰和工业园
厂房 5 栋 602

FCC ID: 2BC2U-4948

LQ-P1339-18

执行标准: GB4943.1-2022

CE RoHS



Séparez les éléments avant de trier



FR
Cet appareil,
ses accessoires,
cordons et batteries
se recyclent

À DÉPOSER
EN MAGASIN



À DÉPOSER
EN DÉCHÈTERIE



OU

合格证
已检验



Points de collecte sur www.quefairedemesdechets.fr
Privilégiez la réparation ou le don de votre appareil !



中国制造