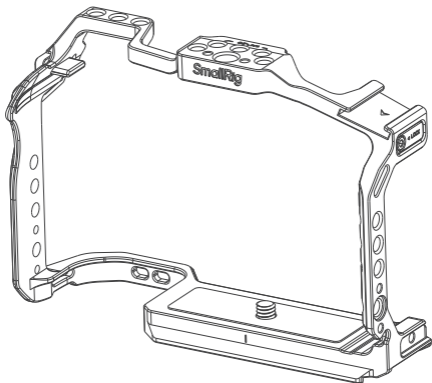


# SmallRig



Cage for Canon EOS R5 Mark II

佳能 EOS R5 Mark II 拓展框

Operating Instruction / 操作指引

- Thank you for purchasing SmallRig's product.  
感谢您购买 SmallRig 产品。
- Please read this Operation Guide carefully.  
使用本产品之前，请仔细阅读操作指引。
- Please follow the safety warnings.  
请注意所有警告提示并遵循使用操作指引的所有指令。

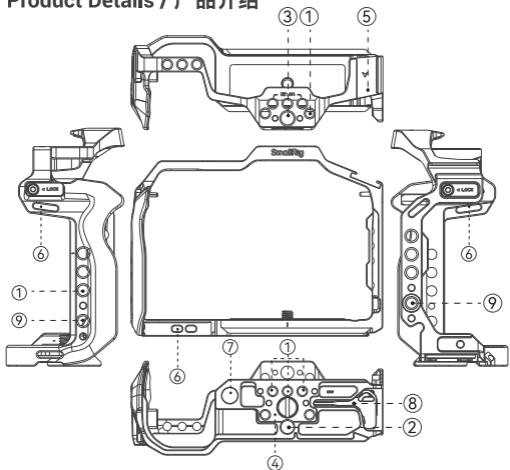
## In the Box / 包装清单

Cage 拓展框	× 1	Operating instruction 操作指引	× 1
Tempered Glass Screen Protector 钢化膜	× 1	Guarantee Card 保修卡	× 1

## Specifications / 产品参数

Product Dimensions 产品尺寸	6.0 × 2.2 × 4.6in 153.0 × 57.3 × 116.0mm
Product Weight 产品重量	5.6 ± 0.1oz 157.7 ± 5g
Material (s) 主要材质	Aluminum Alloy 铝合金

## Product Details / 产品介绍

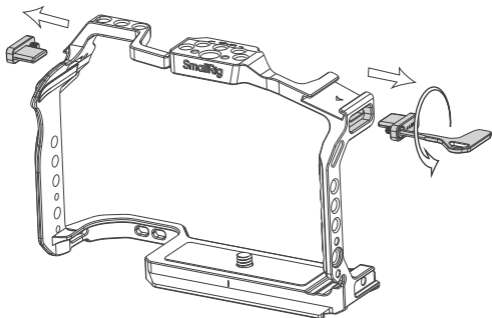


- ① 1/4"-20 Threaded Hole  
1/4"-20 螺纹孔
- ② 3/8"-16 Threaded Hole  
3/8"-16 螺纹孔
- ③ ARRI 3/8"-16 Locating Hole  
阿莱(ARRI)定位孔
- ④ Arca-Swiss Quick Release Plate  
阿卡规格快装板
- ⑤ Cold Shoe Mount  
冷靴
- ⑥ Strap Slot  
肩带 / 腕带接口
- ⑦ QD Socket  
QD 接口
- ⑧ Dual-Head Wrench  
双头扳手
- ⑨ 1/4"-20 Locating Hole  
1/4"-20 定位孔

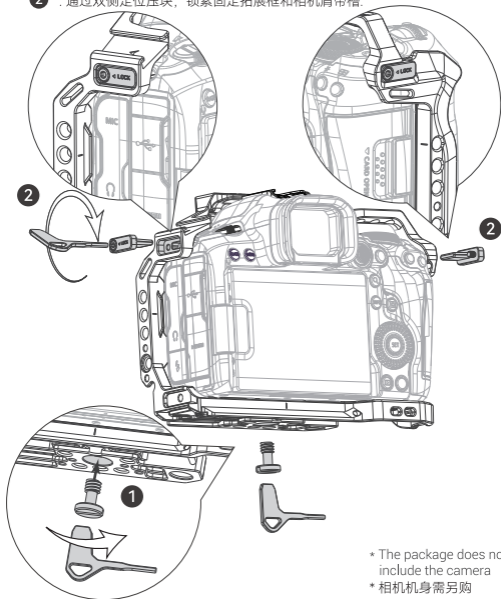
## Cage Installation / 拓展框安装步骤

(1) Before installing, Please remove the two locating blocks on the sides of the cage by the Dual-Head Wrench.

在安装拓展框前，请先用双头扳手拆卸拓展框两侧的定位压块。



- (2) ① : The side plate can adjust front and back by 5mm / 0.2in without obstructing the camera's side HDMI, microphone, and other interfaces.
- ① : 将相机从后往前放入相机拓展框, 然后用双头扳手拧紧底部1/4"-20螺丝, 锁紧固定拓展框。
- ② : Secure the cage and camera strap slots by tightening two locating blocks on the sides of the cage.
- ② : 通过双侧定位压块, 锁紧固定拓展框和相机肩带槽。



\* The package does not include the camera  
\* 相机机身需另购

Manufacturer: Shenzhen Leqi Innovation Co., Ltd.

Add: Rooms 103, 501 and 601, Building 5, Fenghe Industrial Park, Nos. 1301-50  
Guanguang Road, Longhua District, Shenzhen, Guangdong, China.

制造商: 深圳市乐其创新股份有限公司

地址: 中国广东省深圳市龙华区观澜街道新澜社区观光路 1301-50 号丰和工业园  
厂房 5 栋 103、501、601

Consignor: Shenzhen LC Co., Ltd.

Add: Rooms 602, Building 5, Fenghe Industrial Park, No. 1301-50 Guanguang Road,  
Xinlan Community, Guanlan Street, Longhua District, Shenzhen, Guangdong, China.

委托商: 深圳市乐长科技有限公司

地址: 中国广东省深圳市龙华区观澜街道新澜社区观光路 1301-50 号丰和工业园  
厂房 5 栋 602

执行标准: GB/T 26572-2011

LQ-P1387-18



Séparez les éléments avant de trier

中国制造  
Made in China

