

SmallRig

HawkLock Quick Release Cage & Cage Kit for Sony Alpha 7 Series Cameras

— Operating Instruction —

Thank you for purchasing SmallRig's product.

Specifications

4481

Product name	HawkLock Quick Release Cage for Sony Alpha 7R V / Alpha 7 IV / Alpha 7S III / Alpha 1 / Alpha 7R IV
In the Box	① Cage × 1
Compatibility	Sony Alpha 7R V / Alpha 7 IV / Alpha 7S III / Alpha 1 / Alpha 7R IV / Alpha 7R IVA
Product Dimensions	147 x 108.5 x 62.5mm / 5.8 x 4.3 x 2.5in
Product Weight	175 ± 5g / 6.2 ± 0.2oz
Material(s)	Aluminum Alloy, Stainless Steel

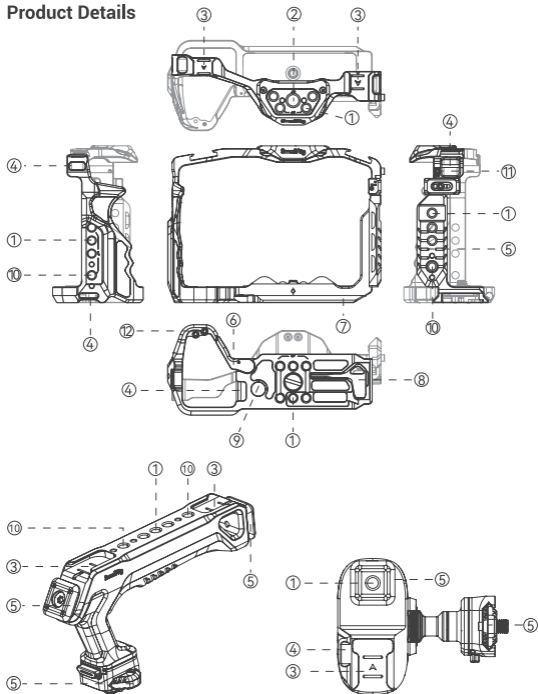
4538 / 5042 / 5043

Product name	HawkLock Quick Release Cage Kit for Sony Alpha 7R V / Alpha 7 IV / Alpha 7S III
In the Box	① Cage × 1 ③ Top Handle with NATO Clamp × 1 ② HDMI Cable Clamp × 1 ④ Allen Wrench × 2
Compatibility	Sony Alpha 7R V / Alpha 7 IV / Alpha 7S III
Product Dimensions	164.0 × 182.0 × 142.0mm / 6.5 × 7.2 × 5.6in
Product Weight	384.0 ± 5.0g / 13.5 ± 0.2oz
Material(s)	Aluminum Alloy, Stainless Steel

4539

Product name	HawkLock Quick Release Advanced Cage Kit for Sony Alpha 7R V / Alpha 7 IV / Alpha 7S III
In the Box	① Cage × 1 ② HDMI Cable Clamp × 1 ③ Top Handle with NATO Clamp × 1 ④ Rotating Side Handle with NATO Clamp × 1 ⑤ Monitor Mount × 1 ⑥ Allen Wrench × 2
Compatibility	Sony Alpha 7R V / Alpha 7 IV / Alpha 7S III
Product Dimensions	215.0 × 266.3 × 137.7mm / 8.5 × 10.5 × 5.4in
Product Weight	660.0 ± 5.0g / 23.3 ± 0.2oz
Material(s)	Aluminum Alloy, Stainless Steel

Product Details



① 1/4"-20 Threaded Hole

② ARRI 3/8"-16 Locating Hole

③ HawkLock H18 Cold Shoe Mount

④ Strap Slot

⑤ HawkLock H21 NATO Rail

⑦ HawkLock H38 Arca-Swiss Quick Release Plate

⑧ Double-Ended Screwdriver

⑩ 1/4"-20 Locating Hole

⑪ M2.5 Screw

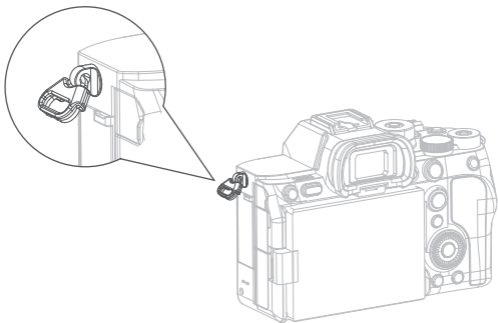
⑥ Hinged Arm

⑨ QD Socket

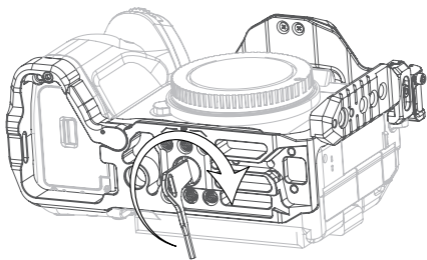
⑫ Anti-Twist Pin

Cage Installation

1. Remove the camera lens and the shoulder strap hooks on left side.
Put the camera into the cage from back

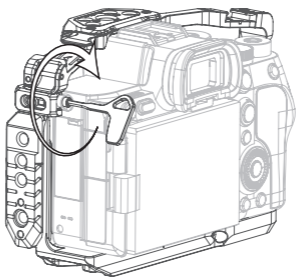
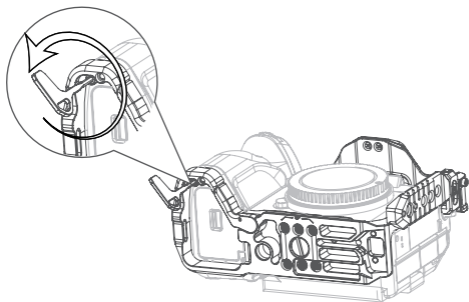


2. Use the Double-Ended Screwdriver to lock the bottom 1/4"-20 screw



* The package does not include the camera

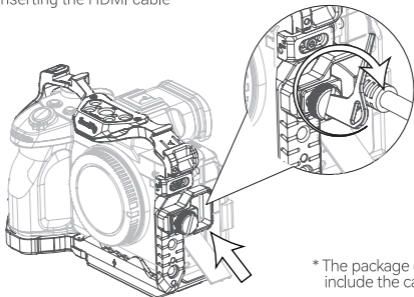
3. Remove the bottom Anti-Twist Pin and install it in the corresponding position. Remove the M2.5 screw on the right side of the cage and lock it through the right shoulder strap hook hole to the cage



* The package does not include the camera

Installation of HDMI Cable Clamp

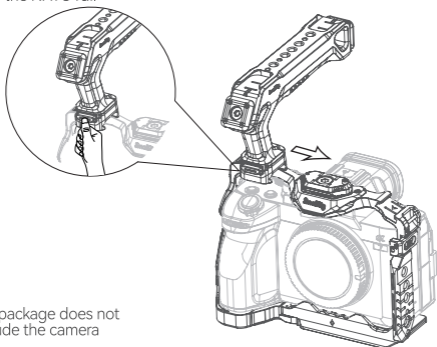
1. Open the HDMI cover and install the cable clamp to the corresponding position on the cage (do not lock it completely). Lock the cable clamp after inserting the HDMI cable



* The package does not include the camera

Installation of Top Handle with NATO Clamp

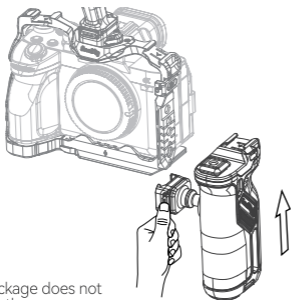
1. Secure the NATO rail to the ARRI 3/8"-16 Locating Hole on the top of the cage, press the unlock button to slide the Top Handle with NATO Clamp into the NATO rail



* The package does not include the camera

Installation of Rotating Side Handle with NATO Clamp

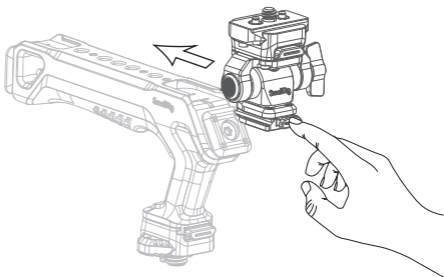
1. Press the unlock button to slide the Rotating Side Handle with NATO Clamp into the NATO rail on the left side of the cage



* The package does not include the camera

Installation of Monitor Mount

1. Press the unlock button to slide the monitor mount into the cold shoe



Manufacturer: Shenzhen Leqi Innovation Co., Ltd.
Add: Rooms 103, 501 and 601, Building 5, Fenghe Industrial Park, Nos.
1301-50 Guanguang Road, Longhua District, Shenzhen, Guangdong, China.

Consignor: Shenzhen LC Co., Ltd.
Add: Rooms 602, Building 5, Fenghe Industrial Park, No. 1301-50 Guanguang
Road, Xinlan Community, Guanlan Street, Longhua District, Shenzhen,
Guangdong, China.

CE RoHS



Séparez les éléments avant de trier

Made in China

SmallRig

索尼Alpha 7系列 迅鷹快拆拓展框&套件

— 操作指引 —

感谢您购买 SmallRig 产品。

产品参数

4481

产品名	索尼Alpha 7R V / Alpha 7 IV / Alpha 7S III / Alpha 1 / Alpha 7R IV 迅鹰快拆拓展框
包装清单	① 拓展框 × 1
兼容性	索尼 Alpha 7R V / Alpha 7 IV / Alpha 7S III / Alpha 1 / Alpha 7R IV / Alpha 7R IVA
产品尺寸	147.0 × 108.5 × 62.5mm
产品重量	175.0 ± 5.0g
材质	铝合金、不锈钢

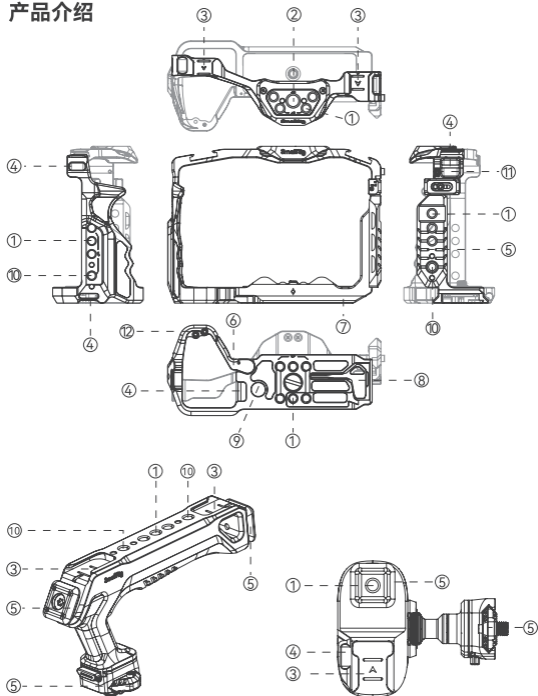
4538 / 5042 / 5043

产品名	索尼Alpha 7R V / Alpha 7 IV / Alpha 7S III 迅鹰快拆拓展框套件
包装清单	① 拓展框 × 1 ③ 滑槽上手提 × 1 ② HDMI线夹 × 1 ④ 六角扳手 × 2
兼容性	索尼 Alpha 7R V / Alpha 7 IV / Alpha 7S III
产品尺寸	164.0 × 182.0 × 142.0mm
产品重量	384.0 ± 5.0g
材质	铝合金、不锈钢

4539

产品名	索尼Alpha 7R V / Alpha 7 IV / Alpha 7S III 迅鹰快拆拓展框套件
包装清单	① 拓展框 × 1 ② HDMI线夹 × 1 ③ 滑槽上手提 × 1 ④ 旋转滑槽侧手柄 × 1 ⑤ 监视器支架 × 1 ⑥ 六角扳手 × 2
兼容性	索尼 Alpha 7R V / Alpha 7 IV / Alpha 7S III
产品尺寸	215.0 × 266.3 × 137.7mm
产品重量	660.0 ± 5.0g
材质	铝合金、不锈钢

产品介绍



① 1/4"-20 螺纹孔

④ 手腕带 / 肩带接口

⑦ 迅鹰H38阿卡规格快装板

⑩ 1/4"-20 定位孔

② 阿莱定位孔

⑤ 迅鹰H21 滑条

⑧ 双头扳手

⑪ M2.5 螺丝

③ 迅鹰H18冷靴

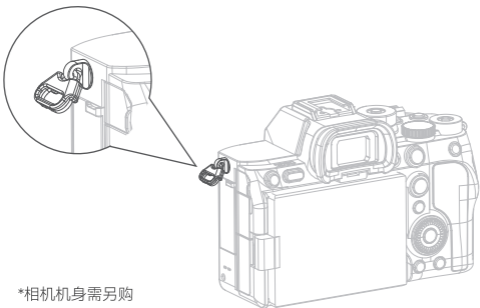
⑥ 开合扳手

⑨ QD 接口

⑫ 防偏转销钉

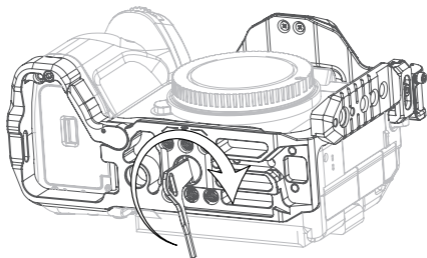
拓展框安装步骤

1. 取下相机镜头和左侧肩带挂钩，然后将相机从后往前放入拓展框。



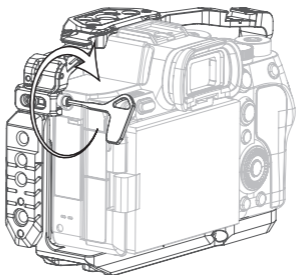
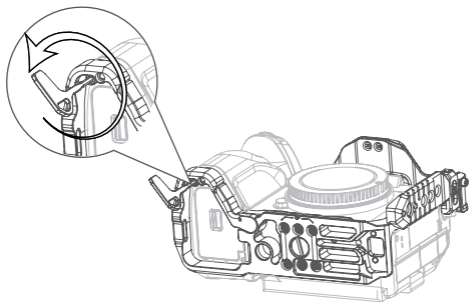
*相机机身需另购

2. 使用双头扳手固定底部 1/4"-20 螺丝。



*相机机身需另购

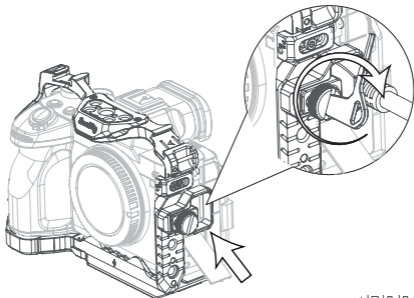
3. 将底部防偏转销取下安装至对应位置；将拓展框右侧M2.5螺丝取下，并穿过右侧肩带挂钩孔锁紧至拓展框。



*相机机身需另购

HDMI 线夹安装步骤

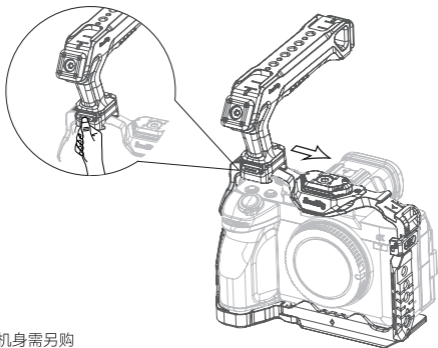
1. 打开相机HDMI保护盖，将线夹安装至拓展框对应位置（请勿完全锁紧）。插入HDMI线后锁紧线夹。



*相机机身需另购

滑槽上手提安装步骤

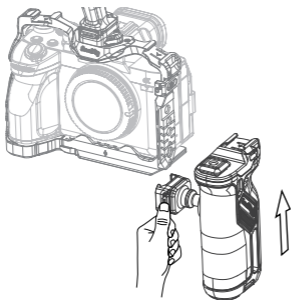
1. 将滑条固定至拓展框顶部的阿莱定位孔，按压解锁按钮将滑槽上手提滑入滑条。



*相机机身需另购

旋转滑槽侧手柄安装步骤

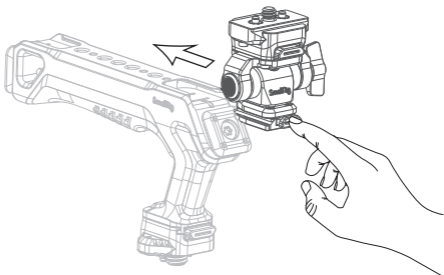
1. 按压解锁按钮将滑槽旋转侧手柄滑入拓展框左侧滑条。



*相机机身需另购

监视器支架安装步骤

1. 按压解锁按钮将监视器支架滑入至冷靴。



执行标准: GB/T 26572-2011

LQ-P1210-18

制造商: 深圳市乐其创新股份有限公司

地址: 中国广东省深圳市龙华区观澜街道新澜社区观光路 1301-50 号丰和
工业园厂房 5 栋 103、501、601

委托商: 深圳市乐长科技有限公司

地址: 中国广东省深圳市龙华区观澜街道新澜社区观光路 1301-50 号丰和工
业园厂房 5 栋 602

CE RoHS



合格证
已检验



Séparez les éléments avant de trier

中国制造