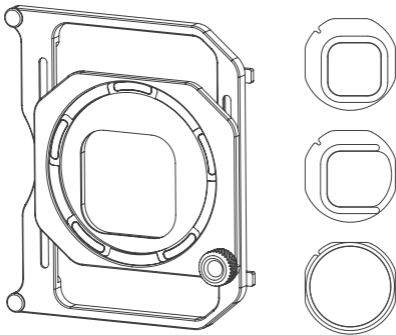


SmallRig



Attachable Filter Adapter
for Universal Mobile Video Cage 67mm

— 通用拓展框吸附式滤镜转接环 67mm —

Operating Instruction / 操作指引

- Thank you for purchasing SmallRig's product.
感谢您购买 SmallRig 产品。
- Please read this Operation Guide carefully.
使用本产品之前，请仔细阅读操作指引。
- Please follow the safety warnings.
请注意所有警告提示并遵循使用操作指引的所有指令。

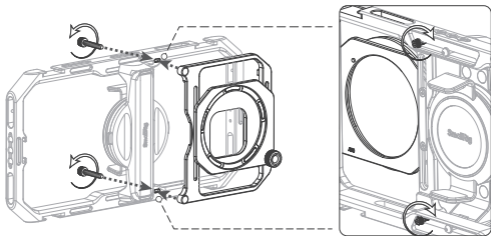
In the Box / 包装清单

67mm Universal Attachable Filter Adapter (with 3 Anti-Glare Pads)	× 1
67mm 通用吸附式滤镜转接环(含3种防眩光方案)	
Operating Instruction	× 1
操作指引	
Guarantee Card	× 1
保修卡	

Function and Features / 功能说明及特性

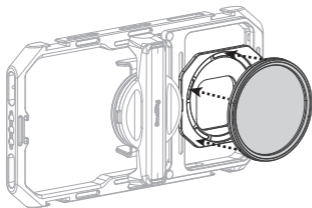
- 1 Assemble with Cage:** As shown in the figure, loosen the two screws on the adapter ring, correspond to the mounting holes on the cage, and tighten the locking screws from the front of the cage to complete the installation.

与Cage组装：如图所示，松开转接环上的两颗螺丝，与拓展框上的安装孔位一一对应，从拓展框正面锁紧螺丝即完成组装。



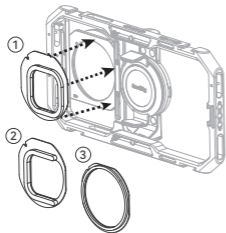
- 2 Extended the filters:** Align the 67mm magnetic filter with the filter adapter ring and directly adsorb it to complete the installation. This product is suitable for the standard 67mm magnetic filter on the market, and the threaded filter needs to use a thread-to-magnetic adapter ring.

拓展滤镜：取出67mm磁吸滤镜，对准滤镜转接环直接吸附即可完成安装。本品适用于市场上标准的67mm磁吸滤镜，螺纹滤镜需要使用螺纹转磁吸转接环方可使用。



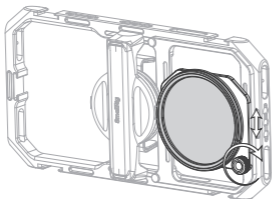
- 3 Use or replace the anti-glare pads:** This product contains three different anti-glare solutions (Apple, Samsung, and Android models) to reduce glare and ghosting caused by filter light leaks. The shield is attachable connected for quick switching.

使用或更换遮光片：本品包含三种不同的遮光方案（苹果、三星和安卓）以减少滤镜漏光产生的眩光和鬼影。遮光片通过吸附式连接，可快速切换。



- 4 **Adjust the position:** rotate the knob in the figure clockwise to adjust the filter adapter up and down to fit different phone models.

调节位置: 顺时针旋转图示中的旋钮，上下调节滤镜转接环，以适配不同手机型号。



Manufacturer: Shenzhen Leqi Innovation Co., Ltd.

Add: Rooms 103, 501 and 601, Building 5, Fenghe Industrial Park, Nos. 1301-50 Guangang Road, Longhua District, Shenzhen, Guangdong, China.

制造商: 深圳市乐其创新股份有限公司

地址: 中国广东省深圳市龙华区观澜街道新澜社区观光路 1301-50 号丰和工业园厂房 5 栋 103、501、601

Consignor: Shenzhen LC Co., Ltd.

Add: Rooms 602, Building 5, Fenghe Industrial Park, No. 1301-50 Guangang Road, Xinlan Community, Guanlan Street, Longhua District, Shenzhen, Guangdong, China.

委托商: 深圳市乐长科技有限公司

地址: 中国广东省深圳市龙华区观澜街道新澜社区观光路 1301-50 号丰和工业园厂房 5 栋 602

执行标准: GB/T 26572-2011

LQ-P1346-18

CE RoHS



LE TRI
+ FACILE



Boîte 1



Papier 5



BAC DE TRI



Séparez les éléments avant de trier

中国制造

Made in China