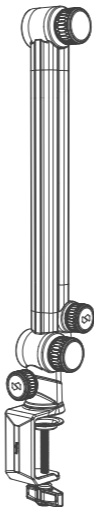


SmallRig



Microphone Boom Arm Desk Mount 桌面悬臂麦克风支撑件

Operating Instruction / 操作指引

- Thank you for purchasing SmallRig's product.
感谢您购买 SmallRig 产品。
- Please read this Operating Instruction carefully.
使用本产品之前，请仔细阅读操作指引。
- Please follow the safety warnings.
请注意所有警告提示并遵循使用操作指引的所有指令。

In the Box / 包装清单

Microphone Boom Arm Desk Mount 桌面悬臂麦克风支撑件	× 1	75mm Telescopic Arm 75mm 延长杆	× 1
Velcro Cable Tie 束线带	× 10	3/8"-16 to 1/4"-20 Thread Adapter 3/8"-16 转 1/4"-20 螺纹转换器	× 1
Cold Shoe Mount 冷靴座	× 1	3/8"-16 to 5/8"-27 Thread Adapter 3/8"-16 转 5/8"-27 螺纹转换器	× 1
Operating Instruction 操作指引	× 1	Guarantee Card 保修卡	× 1

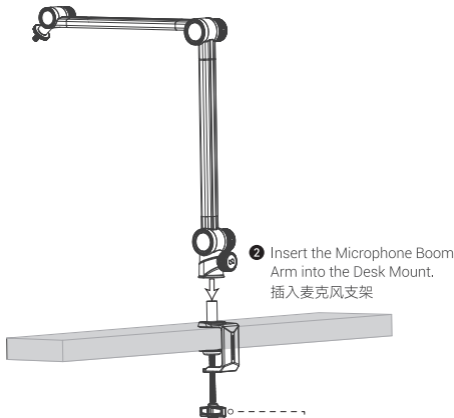
Specifications / 产品参数

Product Dimensions 产品尺寸	25.5 × 4.5 × 3.0in 647.5 × 113.1 × 78.0mm
Product Weight 产品重量	44.4 ± 0.2oz 1260.0 ± 5.0g
Material (s) 主要材质	Aluminum Alloy, Stainless Steel 铝合金、不锈钢

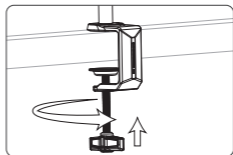
- * Specifications subject to change without prior notice. Please refer to the physical product for the most up-to-date information.
技术参数如有改动，以实物为准，恕不另行通知。

Installation / 安装步骤

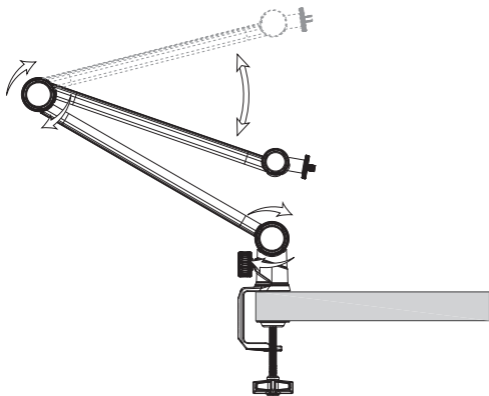
Desktop clamp installation / 桌面夹子安装



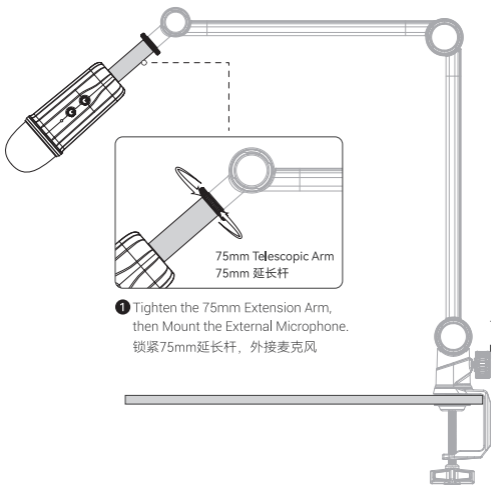
- 1 Adjust to a Suitable Angle and Fix with the Knobs.
调节到合适角度，锁紧支架上的所有旋钮。



Damping knob adjustment / 阻尼旋钮调节



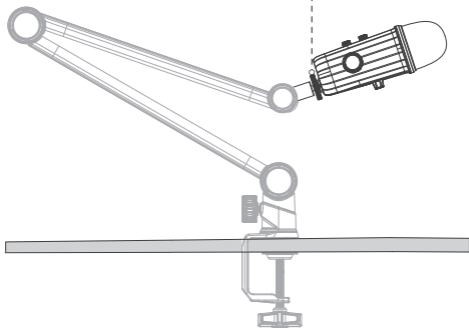
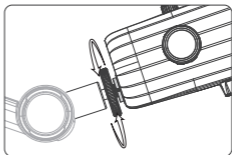
Microphone installation / 麦克风安装



Microphone installation / 麦克风安装

- 2 3/8"-16 Interface for Attaching External Microphones.

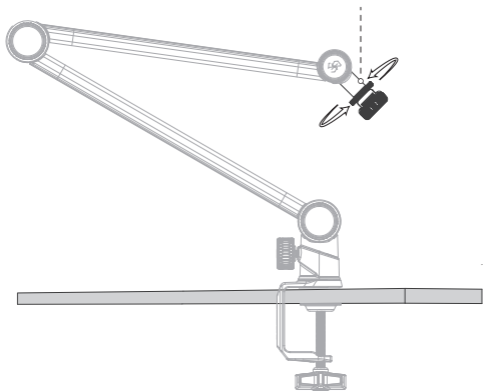
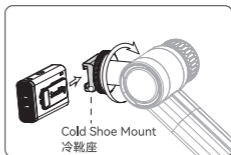
3/8"-16 接口，外接麦克风。



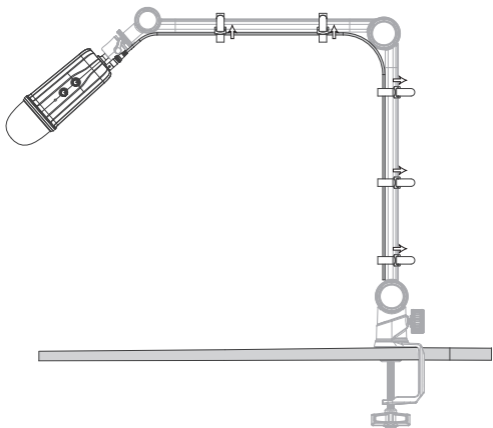
Wireless microphone installation / 无线麦安装

- 3 Tighten the 1/4"-20 Adapter, Install the Cold Shoe Adapter, and Attach the Wireless Microphone.

锁紧1/4"-20适配器，安装冷靴适配器，安装无线麦克风。



Cable tie installation / 束线带安装



Manufacturer: Shenzhen Leqi Innovation Co., Ltd.

Add: Rooms 103, 501 and 601, Building 5, Fenghe Industrial Park, Nos. 1301-50 Guanguang Road, Longhua District, Shenzhen, Guangdong, China.

制造商: 深圳市乐其创新股份有限公司

地址: 中国广东省深圳市龙华区观澜街道新澜社区观光路 1301-50 号丰和工业园厂房 5 栋 103、501、601

Consignor: Shenzhen LC Co., Ltd.

Add: Rooms 602, Building 5, Fenghe Industrial Park, No. 1301-50 Guanguang Road, Xinlan Community, Guanlan Street, Longhua District, Shenzhen, Guangdong, China.

委托商: 深圳市乐长科技有限公司

地址: 中国广东省深圳市龙华区观澜街道新澜社区观光路 1301-50 号丰和工业园厂房 5 栋 602

执行标准: GB/T 26572-2011

LQ-B281-18



中国制造

Made in China