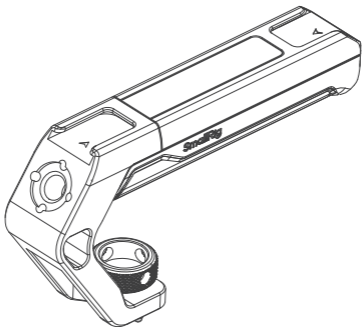


SmallRig



ARRI Locating Top Handle (Tiny)

阿莱上提手柄（轻量）

Operating Instruction / 操作指引

- Thank you for purchasing SmallRig's product.
感谢您购买 SmallRig 产品。
- Please read this Operating Instruction carefully.
使用本产品之前，请仔细阅读操作指引。
- Please follow the safety warnings.
请注意所有警告提示并遵循使用操作指引的所有指令。

In the Box / 包装清单

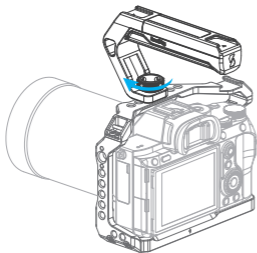
ARRI Locating Top Handle × 1
上手提手柄

Guarantee Card × 1
保修卡

Installation / 安装方式

① Forward Installation / 正向安装

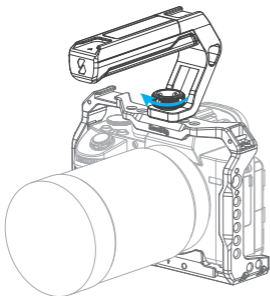
1. Align the anti-rotation screws with the locating holes on both sides of the ARRI 3/8"-16 locating hole;
将防转齿对齐阿莱扩展孔的两侧空中。
2. Tighten the screw in the middle.
拧紧中间的螺丝。
3. Use a screwdriver to reinforce by inserting it into the side hole of the screw.
可使用螺丝刀插入螺丝的侧孔中进行加固。



2 Reverse Installation / 反向安装

1. If the lens is too long, causing the overall balance of the device to tilt forward, you can reverse-mount the handle on the top of the cage to adjust the balance.

如果镜头偏长，整机重心前倾，可将手柄反向安装在兔笼顶部，以便调节重心。



Specifications / 产品参数

Material(s) 材质	Aluminum Alloy, Nylon 铝合金、尼龙
Product Weight 重量	4.0oz 113.0g
Load-Bearing Capacity 承重	33.1lbs 15.0Kg
Product Dimensions 尺寸	5.0 × 2.8 × 0.9in 126.0 × 72.0 × 23.0mm
Connection Interface 连接接口	ARRI 阿莱接口
Expansion Interfaces 扩展接口	ARRI Expansion Interface × 1; Cold Shoe Mount × 2 阿莱扩展接口 × 1 ; 冷靴接口 × 2