

Standard Configurations Catalog for Photo and Video Accessories

Integrating Specifications and Dimensions
for Open Ecosystem Development





Foreword

The photo and video industry has long struggled with diverse yet inconsistent product standards, leading to compatibility issues for content creators. Surveys show over 70% encounter problems combining equipment, while 30% cite a lack of unified market information, resulting in increased costs and confusion during purchases.

We aim to streamline decision-making for visual content creators, reduce costs, and shape a diverse and dynamic future for the industry by sharing design expertise and fostering compatibility within the accessories ecosystem.

The realm of creation and creativity is a vast expanse of freedom, offering myriad paths rather than a singular track. Embracing inclusivity fosters an environment where visual creators can explore a multitude of possibilities.

SmallRig firmly believes that fostering an environment of freedom and inclusivity is essential to empowering visual creators to explore a diverse range of possibilities.

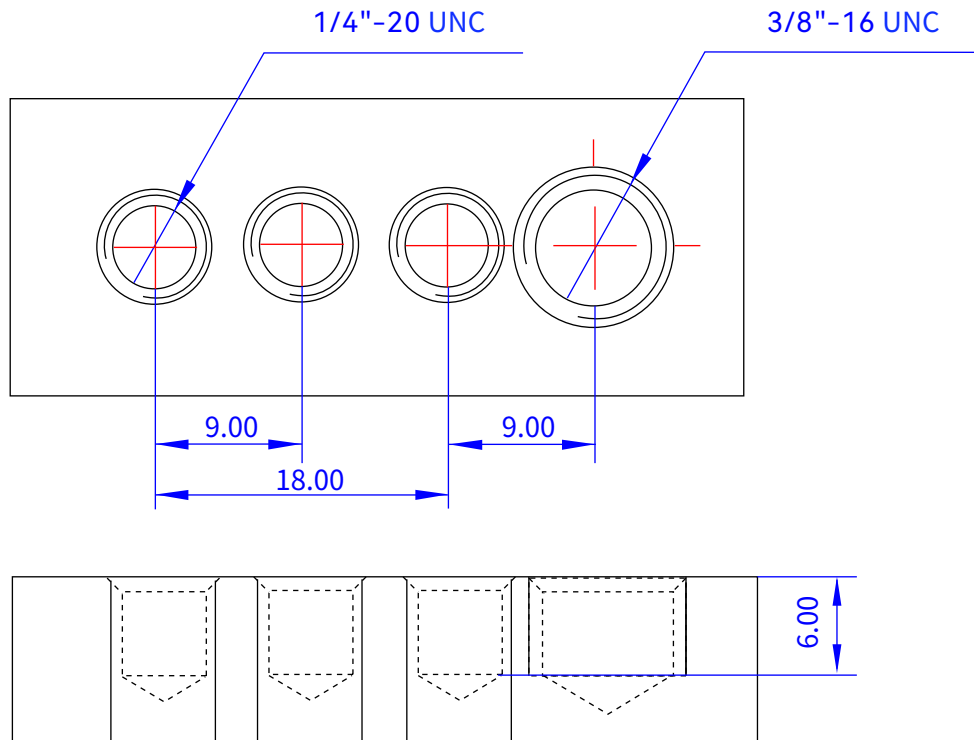
*The data has been compiled by the SmallRig Team.
The catalog will be continuously updated.

Table of Contents

1. Threaded Hole	1
2. ARRI Locating Hole	2
3. 1/4"-20 Locating Hole	3
4. Cold Shoe Mount	4
5. NATO Rail	5
6. Arca-Swiss Quick Release Plate	6
7. Manfrotto Quick Release Plate	7
8. QD Interface	8
9. 15mm Rod & Clamp	9
10. ARRI Rosette	10
11. 4 × 5.65" ND Filter	11
12. Action Camera Mount	12
13. Anti-Deflection Handle Mount for Smartphones	13

Threaded Hole

Threaded holes, equipped with spiral interior grooves, are integrated into a variety of photo and video equipment to guarantee stable connections and secure fastening using a range of screws.



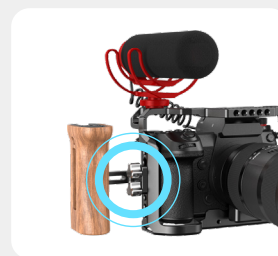
Common Applications



Camera Cage



Phone Cage



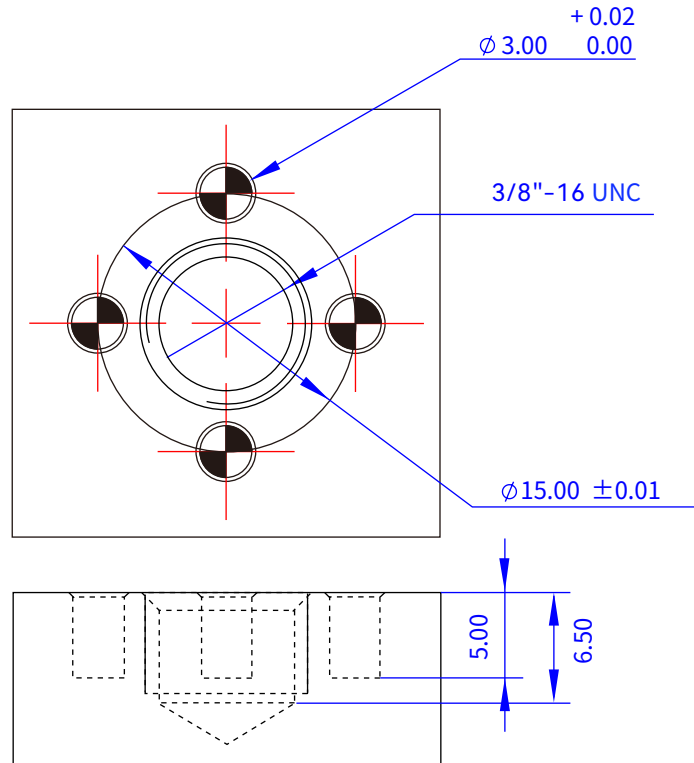
Side Handle



Monitor Mount

ARRI Locating Hole

ARRI locating holes feature a central 3/8"-16 hole and 2 or 4 surrounding locating holes to prevent accessory displacement, enabling multiple fixation points for increased shooting stability.



Common Applications



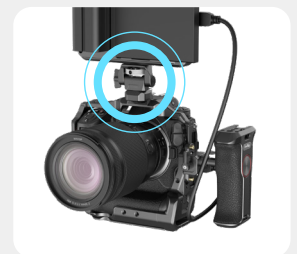
Camera Cage



Top Handle



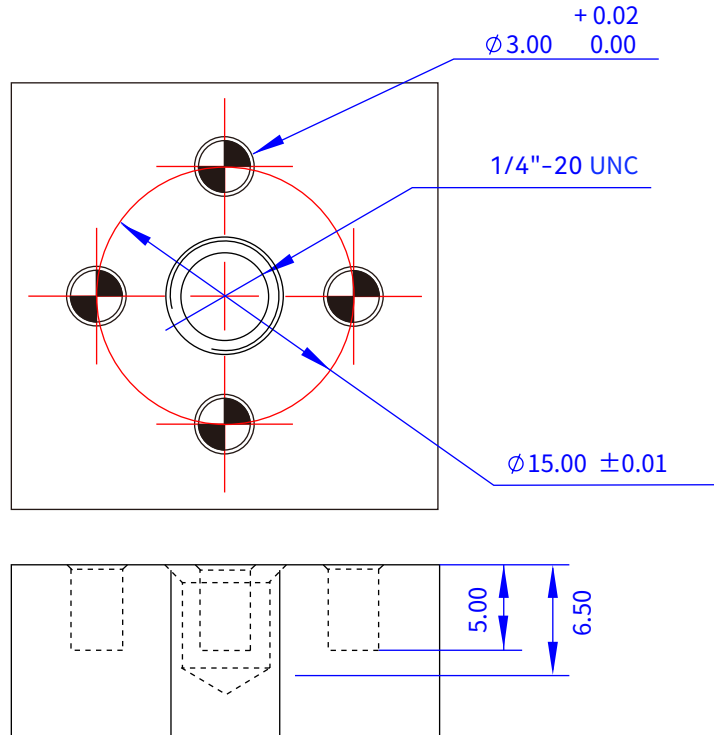
Side Handle



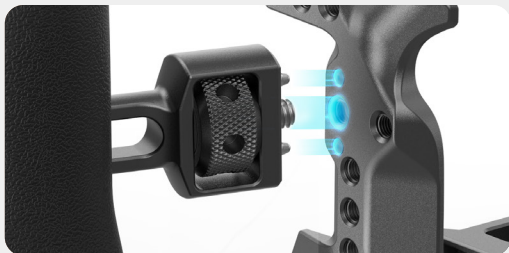
Monitor Mount

1/4"-20 Locating Hole

1/4"-20 locating hole features a central 1/4"-20 threaded hole and 2 or 4 surrounding locating holes for securing accessories, ensuring stability and versatile mounting options for precise shooting.



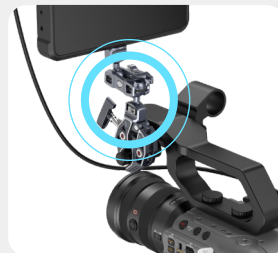
Common Applications



Camera Cage



HawkLock Quick Release Ecosystem



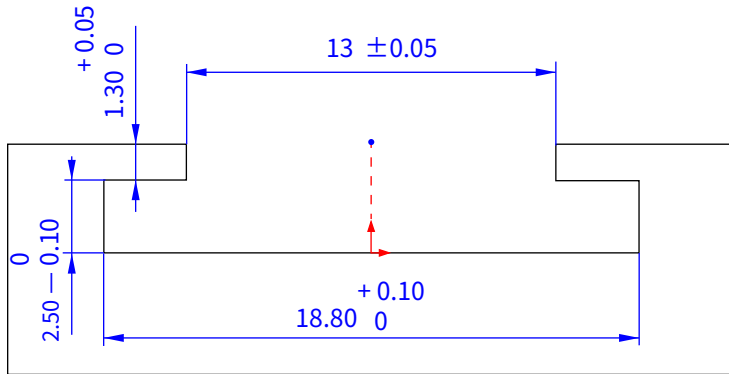
Magic Arm



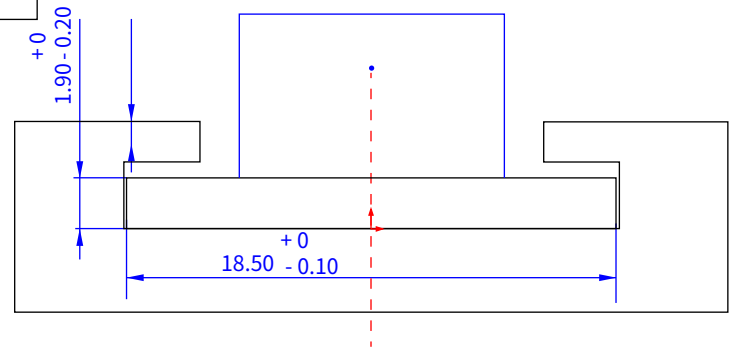
Monitor Mount

Cold Shoe Mount

Designed for mounting and securing a variety of accessories such as lights, microphones, magic arms, and more, allowing for quick interchange and adjustment of accessories according to shooting requirements.



Cold Shoe Dimensions



Cold Shoe Mount Dimensions

Common Applications



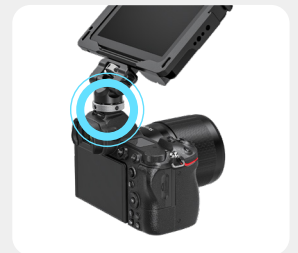
Camera Cage



Side Handle



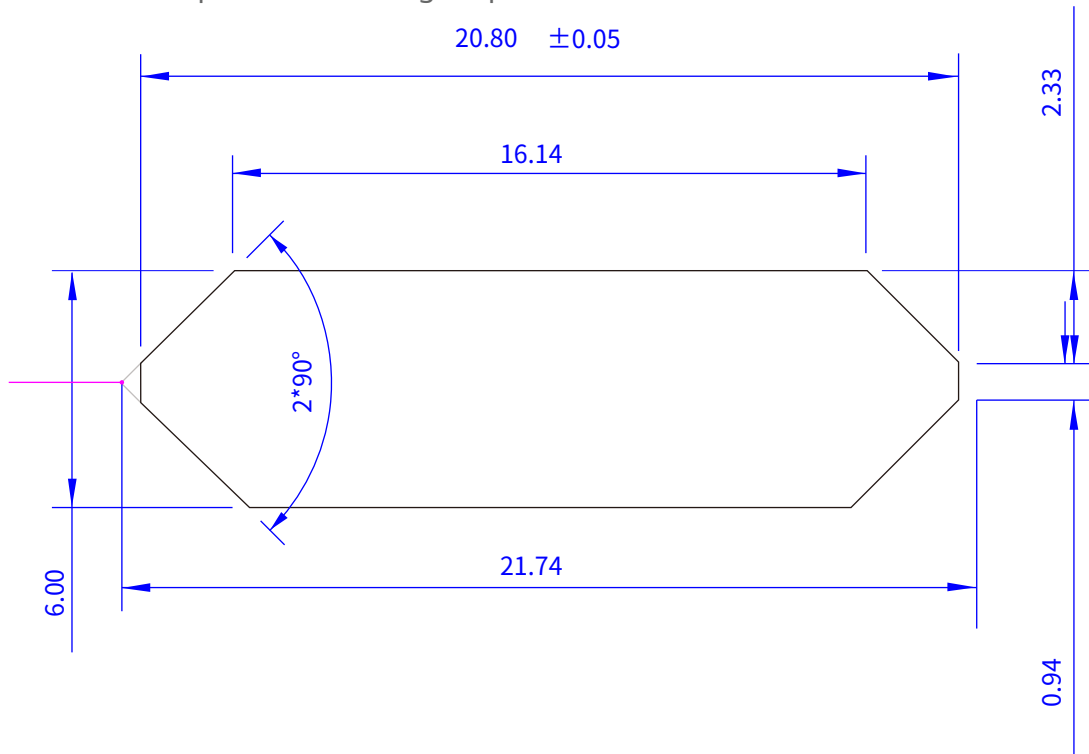
HawkLock Quick Release Ecosystem



Monitor Mount

NATO Rail

Features an elongated design for effortless adjustment of accessory positions, ensuring optimal mounting and secure attachment of various accessories, including top handles and side handles, to meet specific shooting requirements.



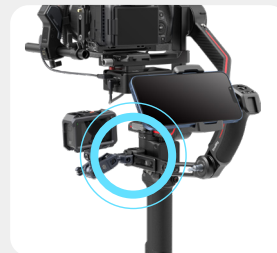
Common Applications



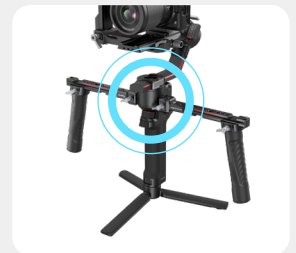
HawkLock Quick Release Ecosystem



Monitor Mount



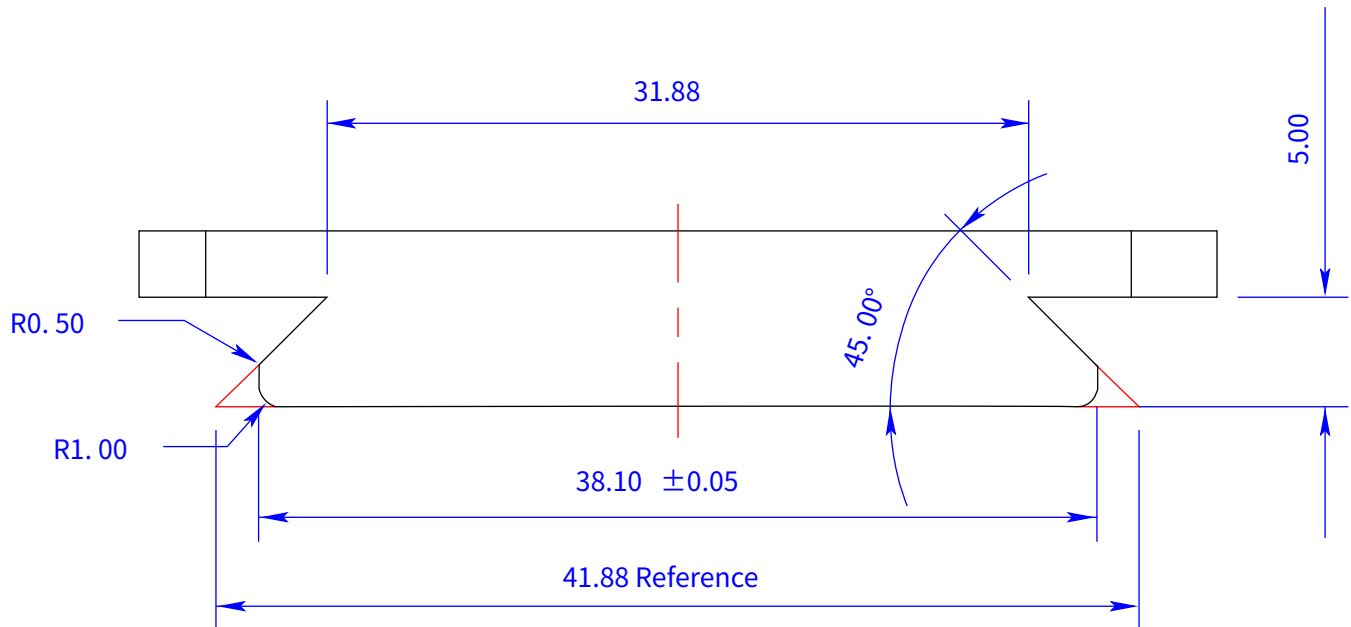
Sling Handle



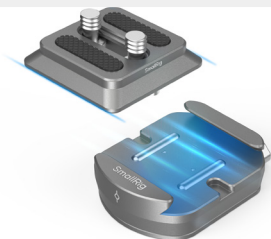
Dual Handgrip

Arca-Swiss Quick Release Plate

Facilitates rapid, stable, and reliable mounting and dismounting of photo equipment, ensuring seamless attachment to stabilizers, Arca-Swiss tripod heads, tripods, and other devices.



Common Applications



HawkLock Quick Release Ecosystem



L-Shape Mount Plate



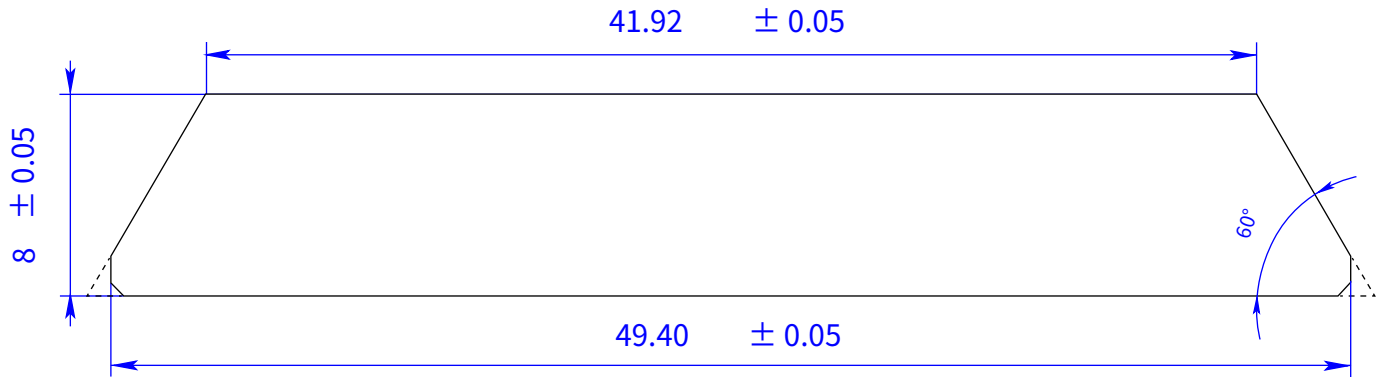
Tripod



Side Handle

Manfrotto Quick Release Plate

Delivers a rapid, stable, and dependable solution for mounting and dismounting photo equipment, facilitating swift attachment to stabilizers, tripods, and other gear.



Common Applications



Tripod



Stabilizer



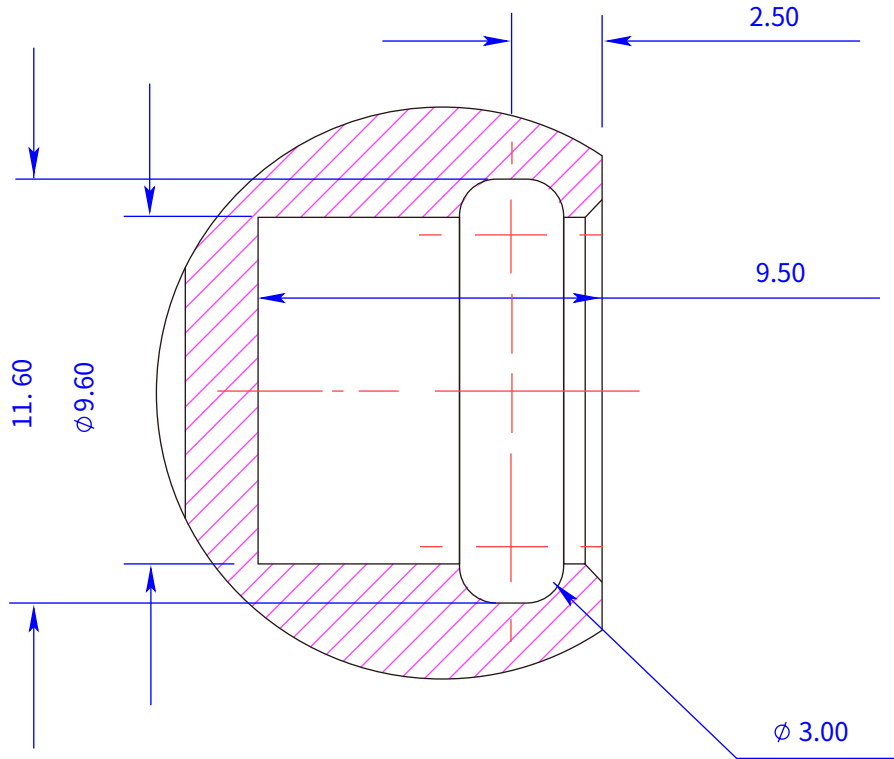
Shoulder Rig



Baseplate

QD Interface

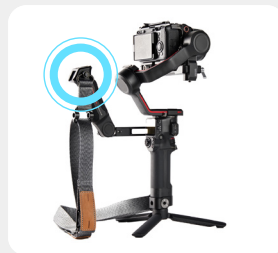
Intended for mounting and securing a variety of accessories, facilitating quick attachment and detachment to enhance shooting efficiency and flexibility.



Common Applications



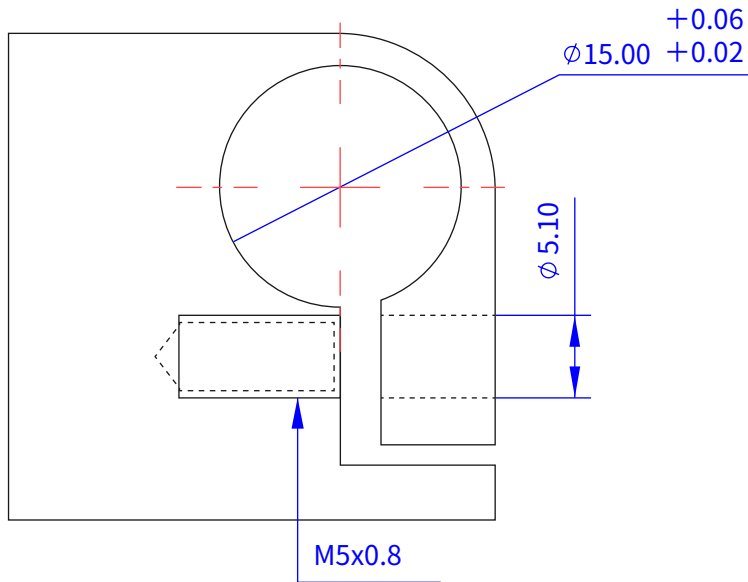
Camera Cage



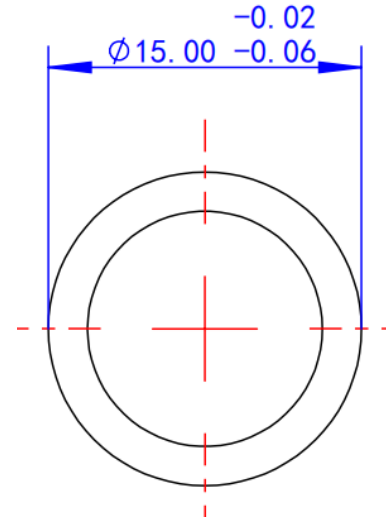
Stabilizer Accessories

15mm Rod & Clamp

Comprising 15mm diameter cylindrical components and clamps for securing rods, these accessories are intended to stabilize and adjust the position and angle of equipment, accommodating diverse shooting scenarios while delivering superior stability and flexibility for camera shoulder kits.

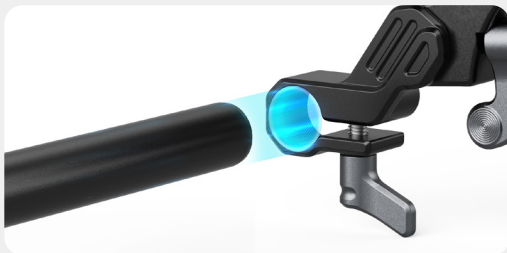


15mm Clamp Dimensions



15mm Rod Dimensions

Common Applications



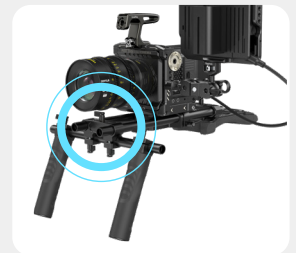
Follow Focus



Matte Box



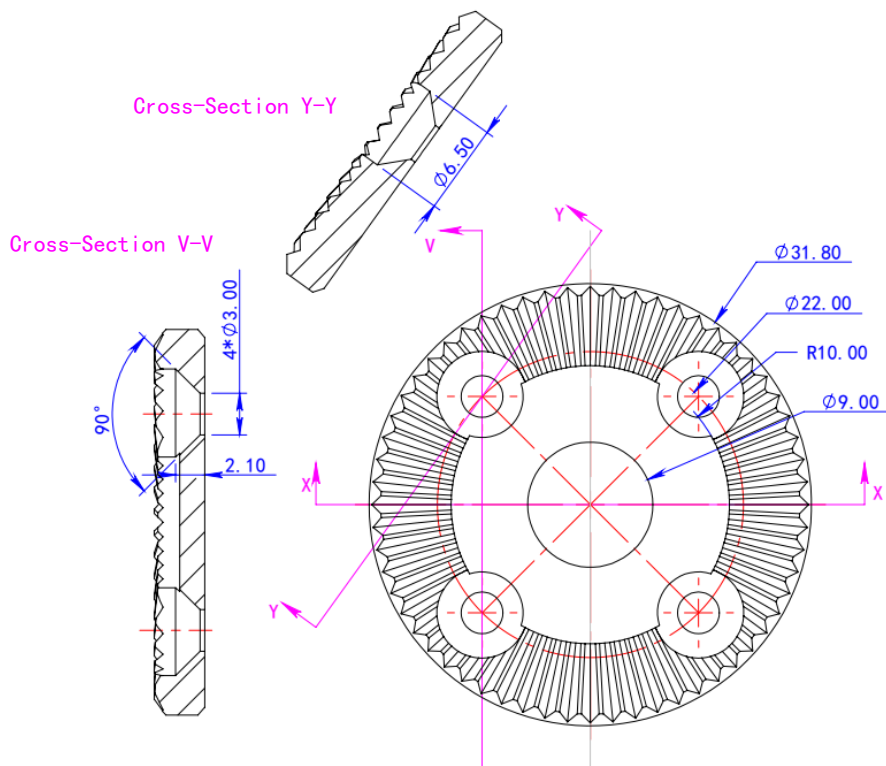
Lens Support



Shoulder Rig

ARRI Rosette

Designed to attach accessories featuring an ARRI-type interface, facilitating precise angle adjustments to accommodate varied shooting demands while maintaining stability.



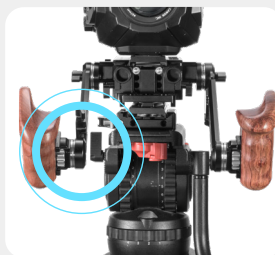
Common Applications



Shoulder Pad



Shoulder Rig
Handle Kit



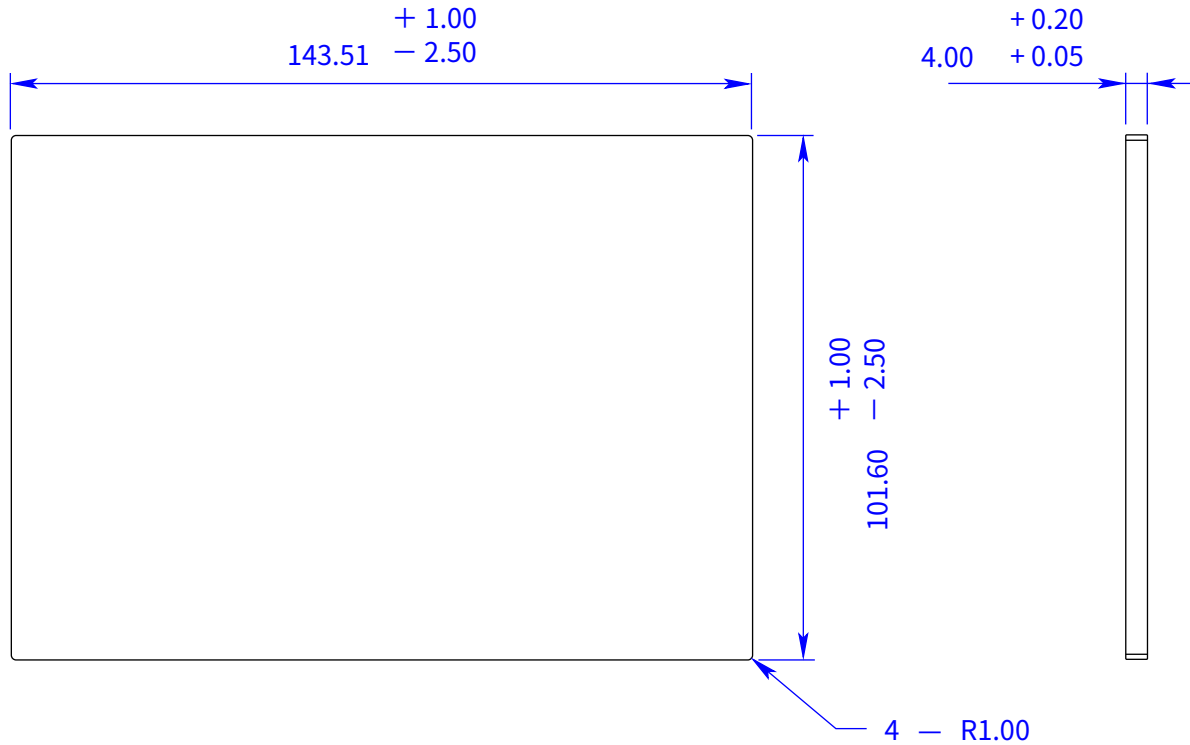
Side Handle



Crab-Shaped
Clamp

4 × 5.65" ND Filter

A square filter, measuring 4 inches in width and 5.65 inches in length, is commonly used with filter trays or matte boxes to significantly improve image quality.



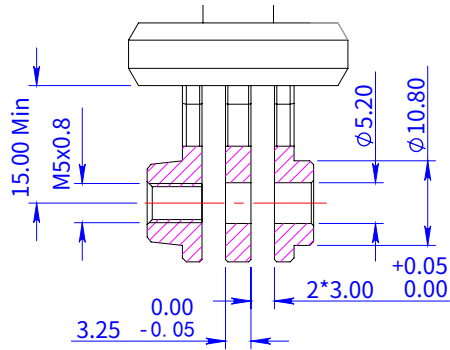
Common Applications



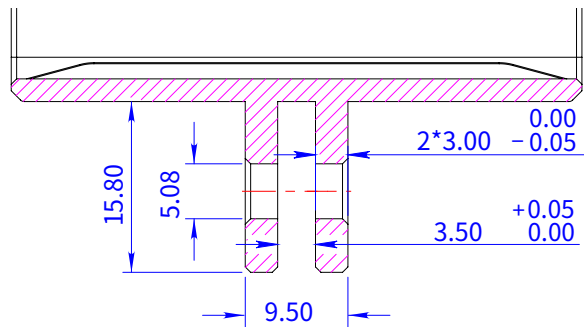
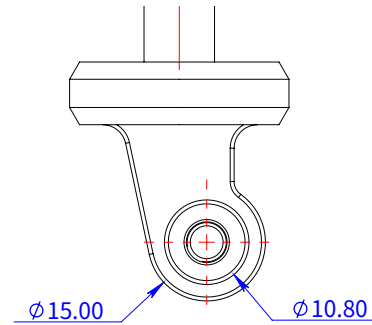
Matte Box

Action Camera Mount

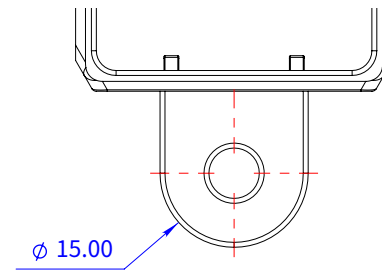
A specialized mounting system designed for action cameras, used to attach and secure additional photography accessories, enhancing the versatility and practicality of the action camera.



Action Camera Female Mount Interface Dimensions



Action Camera Male Mount Interface Dimensions



Common Applications



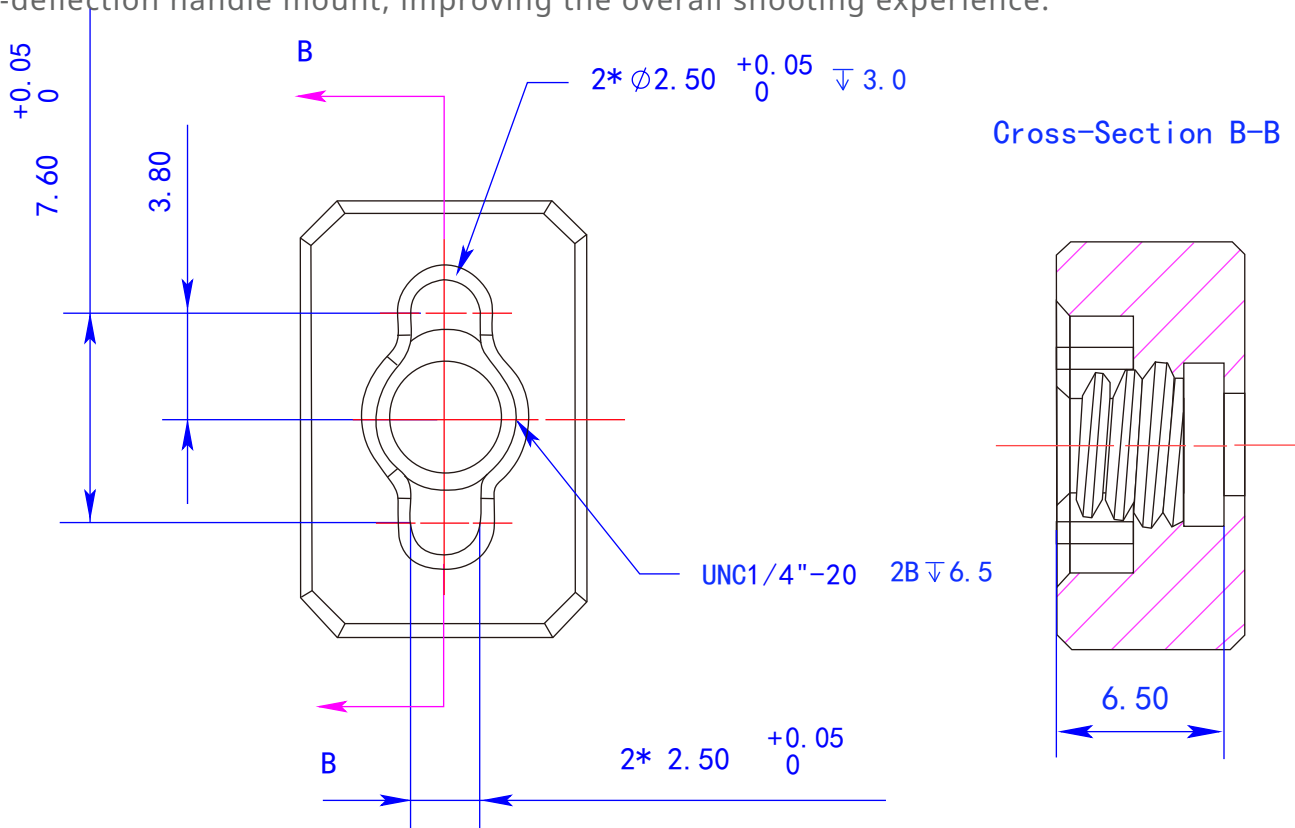
Selfie Stick Support for Action Cameras



Action Camera Cage

Anti-Deflection Handle Mount for Smartphones

Enhance filming stability and smoothness by attaching the smartphone to the handle with an anti-deflection handle mount, improving the overall shooting experience.



Common Applications



Handle for Smartphones

Conclusion

By understanding the needs of visual creators and spearheading industry innovation, we have carefully curated industry-standard structural data. Our goal is for it to serve as a reliable guide, aiding creators in efficiently selecting equipment amidst the intricate market landscape.

Furthermore, our commitment extends beyond this point. We will continuously monitor the latest industry trends and user feedback, updating and refining content to ensure its cutting-edge relevance and practicality.

We extend a sincere invitation to all users to engage in the enhancement and refinement of our manual. Your insights and suggestions serve as the cornerstone of our advancement.

Please feel free to contact us through any of the following channels:

1. Email: smallrig@smallrig.com or marketing@smallrig.com
2. Facebook (SmallRig) or Instagram (@smallrig.global)

